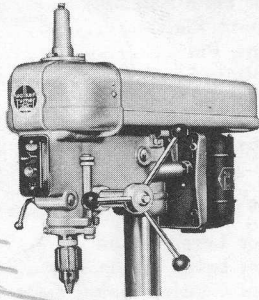


DIVISION
ROCKWELL MANUFACTURING CO.
PLAINFIELD, NEW JERSEY

PARTS LIST

15-INCH DRILL PRESS 1200 Series



PART NO.	DESCRIPTION	QUAN-TITY	PRICE
11-77	Drift Key (for No. 2 Morse Taper Spindle 12M12)	1	
1211	Head Assembly (See figure 2 for details)		
1212			
1216			
1221			
1222			
1226			
1211-61			
1212-61			
1216-61			
1221-61			
1222-61			
1226-61			
12A16	Column Stop Collar Assembly	1	
12-16	Stop Collar	1	
525-3208	Hollow Set Screw, 1/2-13 x 1/2 ..	2	
12C28	Utility Base Assembly	1	
12-28	Utility Base	1	
525-3216	Hollow Set Screw, 1/2-13 x 1	2	
12C29	Utility Table Assembly	1	
12-29	Utility Table	1	
204-4	Table Locking Stud	1	
309-1	Table Locking Key	1	

PART NO.	DESCRIPTION	QUAN-TITY	PRICE
362-1-1	Table Locking Handle	1	
501-2116	Hex Head Screw, 5/16-24 x 1	1	
561-20	Washer, S.A.E., 5/16	1	
12-34	Column, Short (31-inch lgh.)	1	
12-35	Column, Long (60-inch lgh.)	1	
12-71	Drift Key (for No. 1 Morse Taper Spindle 12M11)	1	
13A44	Belt Guard Assembly	1	
13-44	Belt Guard	1	
508-1608	Round Head Screw, 1/4-20 x 1/2 ..	2	
508-1612	Round Head Screw, 1/4-20 x 3/4 ..	2	
541-16	Hex Nut, 1/4-20	2	
563-16	Lock Washer, Medium, 1/4	2	
234-2	Collar Plug	2	
281-18-1	Chuck Key	1	
344A9	Motor Pulley Assembly	1	
344-9	Pulley	1	
525-1608	Hollow Set Screw, 1/4-20 x 1/2 ..	1	
492-2	Spanner Wrench	1	
500-2420	Square Head Bolt, 3/8-16 x 1-1/4 ..	4	
541-24	Hex Nut, 3/8-16	4	
561-24	Washer, S.A.E., 3/8	8	
562-24	Lock Washer, Light, 3/8	4	

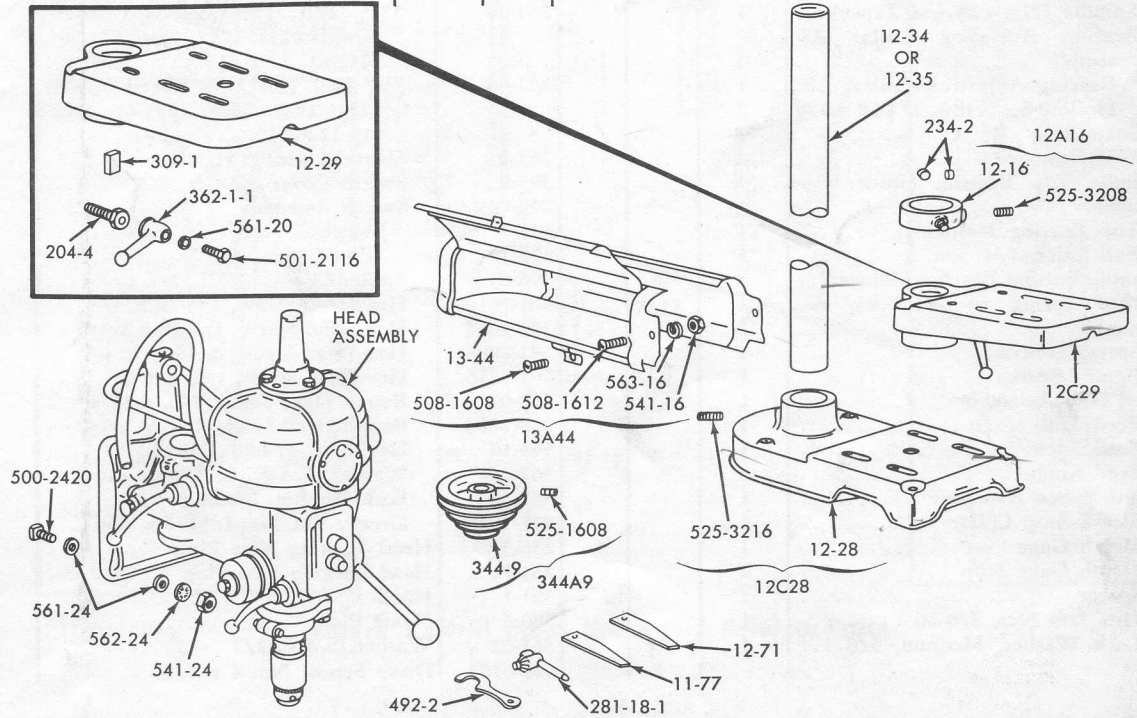


Figure 1. 1200 Series Drill Press Disassembled

WALKER-TURNER
15-INCH DRILL PRESS

PART NO.	DESCRIPTION	QUAN-TITY	PRICE
1211	Head Assembly (St'd. Speed, No. 1 Morse Taper Spindle)	1	
1212	Head Assembly (St'd. Speed, No. 2 Morse Taper Spindle)	1	
1216	Head Assembly (St'd. Speed, Chuck Spindle)	1	
1221	Head Assembly (Slow Speed, No. 1 Morse Taper Spindle)	1	
1222	Head Assembly (Slow Speed, No. 2 Morse Taper Spindle)	1	
1226	Head Assembly (Slow Speed, Chuck Spindle)	1	
1211-61	Head Assembly (Foot Feed, St'd. Speed, No. 1 Morse Taper Spindle)	1	
1212-61	Head Assembly (Foot Feed, St'd. Speed, No. 2 Morse Taper)	1	
1216-61	Head Assembly (Foot Feed, St'd. Speed, Chuck Spindle)	1	
1221-61	Head Assembly (Foot Feed, Slow Speed, No. 1 Morse Taper Spindle)	1	
1222-61	Head Assembly (Foot Feed, Slow Speed, No. 2 Morse Taper Spindle)	1	
1226-61	Head Assembly (Foot Feed, Slow Speed, Chuck Spindle)	1	
12-1	Head	1	
12-2	Pinion (for Models 1211, 1212, 1216, 1221, 1222, 1226)	1	
12A3-1	Spindle and Quill Assembly (No. 1 Morse Taper) (for Models 1211, 1221, 1211-61, 1221-61)	1	
12A3-2	Spindle and Quill Assembly (No. 2 Morse Taper) (for Models 1212, 1222, 1212-61, 1222-61)	1	
12A3-6	Spindle and Quill Assembly (Chuck Type) (for Models 1216, 1226, 1216-61, 1226-61)	1	
12-3	Sleeve	1	
12M6	Spindle (Chuck Type)	1	
12M11	Spindle (No. 1 Morse Taper) .. or	1	
12M12	Spindle (No. 2 Morse Taper) ..	1	
254A34	Bearing Adjusting Collar Assembly	1	
254-34	Bearing Adjusting Collar	1	
525-1604	Hollow Set Screw, 1/4-20 x 1/4	2	
262-18	Snap Ring	1	
370-10-1	Ball Bearing	2	
12A7	Spindle Top Bearing Holder Assembly	1	
12-7	Top Bearing Holder	1	
271-8	Ball Oiler, 1/4	1	
12-9	Spindle Bottom Bearing Holder ..	1	
12A14	Return Spring and Housing Assembly	1	
12-14	Spring Housing	1	
311-3	Return Spring	1	
12A15	Feed Hub Assembly	1	
12-15	Feed Hub	1	
211-7	Feed Spoke	3	
365-8	Feed Knob	3	
12A17	Depth Gage Assembly	1	
12-10	Sleeve Stop Collar	1	
12-17	Depth Gage	1	
223-3	Depth Gage Stop	2	
241-31	Spacer	1	
545-24	Hex Jam Nut, 3/8-16	1	
563-24	Lock Washer, Medium, 3/8	1	

PART NO.	DESCRIPTION	QUAN-TITY	PRICE
12A18	Motor Plate Assembly	1	
12-18	Motor Plate	1	
290-8	Long Pin	2	
525-2508	Hollow Set Screw, 3/8-24 x 1/2	2	
12-39	Oil Splash Guard Sleeve	1	
12A51	Foot Lever Pinion Assembly (for Models 1211-61, 1212-61, 1216-61, 1221-61, 1222-61, 1226-61)	1	
	(See figure 7 for details)		
12-51	Foot Lever Pinion	1	
300-1	Foot Lever Pinion Key	1	
330-40	Foot Control Pinion Gear	1	
525-2004	Hollow Set Screw, 5/16-18 x 1/4	1	
571-1008	Groove Pin, No. 1, 5/32 x 1/2 ..	1	
212-4	Spring Pin	1	
230-1	Sleeve Locking Vise Plug	1	
231-1	Sleeve Locking Vise Plug	1	
240-87	Washer	1	
242-22	Spring Housing Washer	1	
245-5	Bearing Spring Washer	1	
254A35	Pinion Collar Assembly	1	
254-35	Pinion Collar	1	
525-1603	Hollow Set Screw, 1/4-20 x 3/16	2	
281-18	Chuck (for Models 1216, 1226, 1216-61, 1226-61)	1	
300-10	Key	1	
344A1	Pulley Assembly (Standard Speed) (for Models 1211, 1212, 1216, 1211-61, 1212-61, 1216-61)	1	
12-8	Insert	1	
344-1	Pulley (Standard Speed)	1	
370-1	Bearing	1	
370-2	Bearing	1	
344A2	Pulley Assembly (Slow Speed) (for Models 1221, 1222, 1226, 1221-61, 1222-61, 1226-61)	1	
12-8	Insert	1	
344-2	Pulley (Slow Speed)	1	
370-1	Bearing	1	
370-2	Bearing	1	
351-46	"V" Belt (for Standard Speed Models 1211, 1212, 1216, 1211-61, 1212-61, 1216-61)	1	
351-48	"V" Belt (for Slow Speed Models 1221, 1222, 1226, 1221-61, 1222-61, 1226-61)	1	
361-6	Sleeve Locking Handle	1	
395-9	Switch Cover	1	
396A23	Switch Assembly	1	
395-3	Switch	1	
396-23	Wire	1	
396-63	Cable Clip	1	
501-1612	Hex Head Screw, 1/4-20 x 3/4 ...	3	
501-1628	Hex Head Screw, 1/4-20 x 1-3/4 ...	1	
501-2008	Hex Head Screw, 5/16-18 x 1/2 ..	2	
501-3316	Hex Head Screw, 1/2-20 x 1	1	
508-0908	Round Head Screw, No. 6-32 x 1/2	2	
508-1608	Round Head Screw, 1/4-20 x 1/2 ..	1	
541-16	Hex Nut, 1/4-20	1	
561-24	Washer, S.A.E., 3/8	1	
563-16	Lock Washer, Medium, 1/4	4	
571-1210	Groove Pin, No. 1, 3/16 x 5/8	3	
230-5	Head Locking Vise Plug	1	
231-11	Head Locking Vise Plug	1	
361-1	Hand Lock Screw	1	
380-6	Name Plate	1	
561-32	Washer, S.A.E. 1/2	1	
598-0703	Drive Screw, No. 4 x 3/16	3	

PART NO.	DESCRIPTION	QUAN-TITY	PRICE
12C100	Mortising Attachment Assembly	1	
12-100	Mortising Chisel Holder	1	
501-1628	Hex Head Screw, 1/4-20 x 1-3/4	1	
520-2010	Square Head Set Screw, 5/16-18 x 5/8	1	
541-16	Hex Nut, 1/4-20	1	
563-16	Lock Washer, Medium, 1/4	1	
12C101	Hold-Down and Guide Assembly	1	
12-65	Hold-Down Bracket	1	
12-72	Work Holder, Curved	2	
12-101	Fence	1	
211A6	Guide Adjusting Stud and Handle Assembly	1	
211-6	Adjusting Stud	1	
365-1-1	Handle	1	
571-1010	Groove Pin, No. 1, 5/32 x 7/8	1	
290-7	Pin	1	
501-2456	Hex Head Screw, 3/8-16 x 3-1/2	2	
525-2406	Hollow Set Screw, 3/8-16 x 3/8	1	
535-2012	Thumb Screw, 5/16-18 x 3/4	2	
541-24	Hex Nut, 3/8-16	2	
560-24	Washer, St'd., 3/8	4	

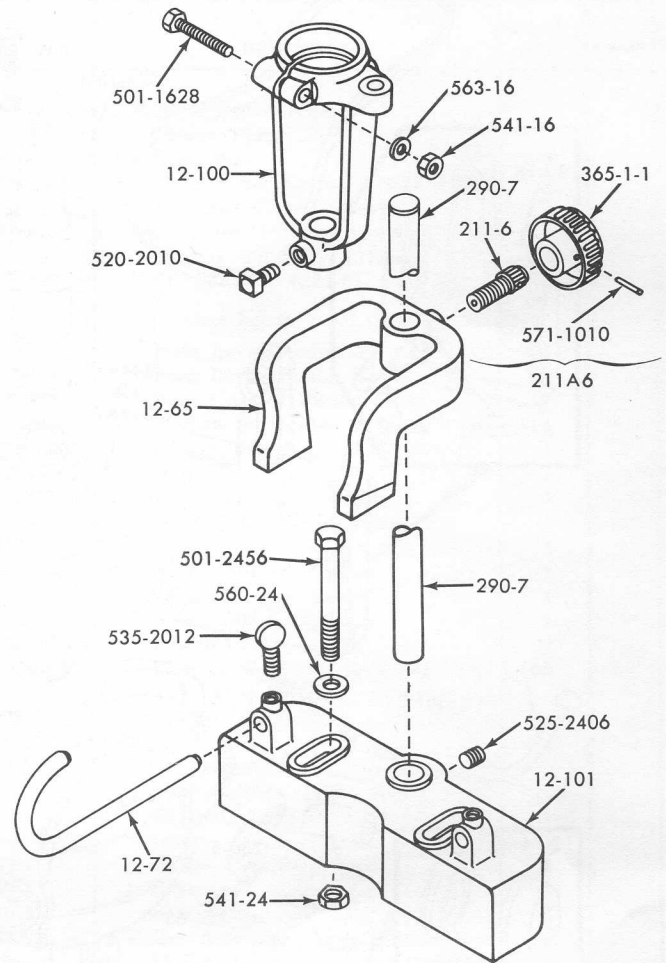


Figure 3. Mortising Attachment
12C100

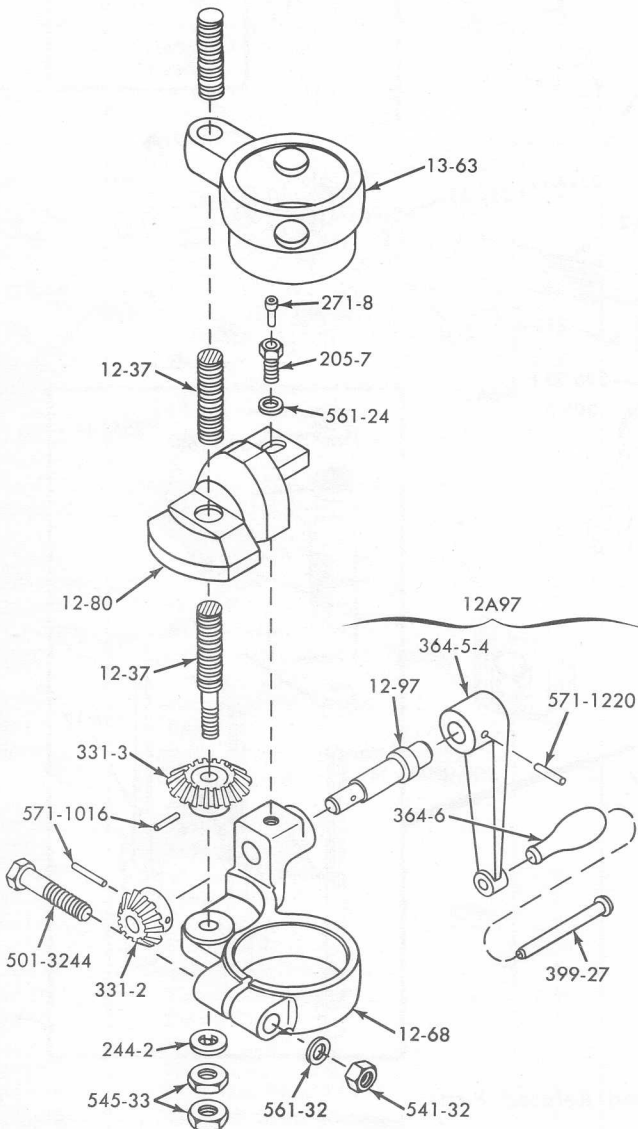


Figure 4. Head Raising Mechanism
12C37

PART NO.	DESCRIPTION	QUAN-TITY	PRICE
12C37	Head or Table Raising Mechanism Assembly	1	
12A37	Head or Table Raising Mechanism	1	
12-37	Vertical Screw	1	
12-68	Adjusting Gear Bracket	1	
12-80	Gear Guard	1	
12A97	Hand Crank Assembly	1	
12-97	Shaft	1	
364-5-4	Hand Crank	1	
364-6	Crank Handle	1	
399-27	Pin	1	
571-1220	Groove Pin, No. 1, 3/16 x 1-1/4	1	
205-7	Oiler Screw	1	
244-2	Key Washer	1	
271-8	Ball Oiler, 1/4	1	
331-2	Bevel Gear	1	
331-3	Gear	1	
545-33	Hex Jam Nut, 1/2-20	2	
561-24	Washer, S.A.E., 3/8	1	
571-1016	Groove Pin, No. 1, 5/32 x 1	2	
13-63	Collar	1	
501-3244	Hex Head Screw, 1/2-13 x 2-3/4	1	
541-32	Hex Nut, 1/2-13	1	
561-32	Washer, S.A.E., 1/2	1	

**WALKER-TURNER
15-INCH DRILL PRESS**

PA-1

PART NO.	DESCRIPTION	QUAN-TITY	PRICE
12C52	Slow Speed Attachment Assembly ...	1	
12-52	Hinge Bracket	1	
12-69	Adjusting Screw	1	
202-10	Set Screw	1	
223-16	Knurled Nut	2	
344A5	Pulley Assembly	1	
12-84	Pulley Shaft	1	
240-6	Washer	1	
240-12	Washer	1	
240-14	Washer	1	
250-4	Sleeve	1	
261-4	Snap Ring	1	
344-5	Pulley	1	
370-20-1	Ball Bearing	2	
399-30	Fastener, 5/8 (Dot)	1	
508-1306	Round Head Screw, No. 10-32 x 3/8	1	
563-12	Lock Washer, St'd., No. 10	1	
351-28	"V" Belt	2	
525-2006	Hollow Set Screw, 5/16-18 x 3/8 ..	2	
541-25	Hex Nut, 3/8-24	1	

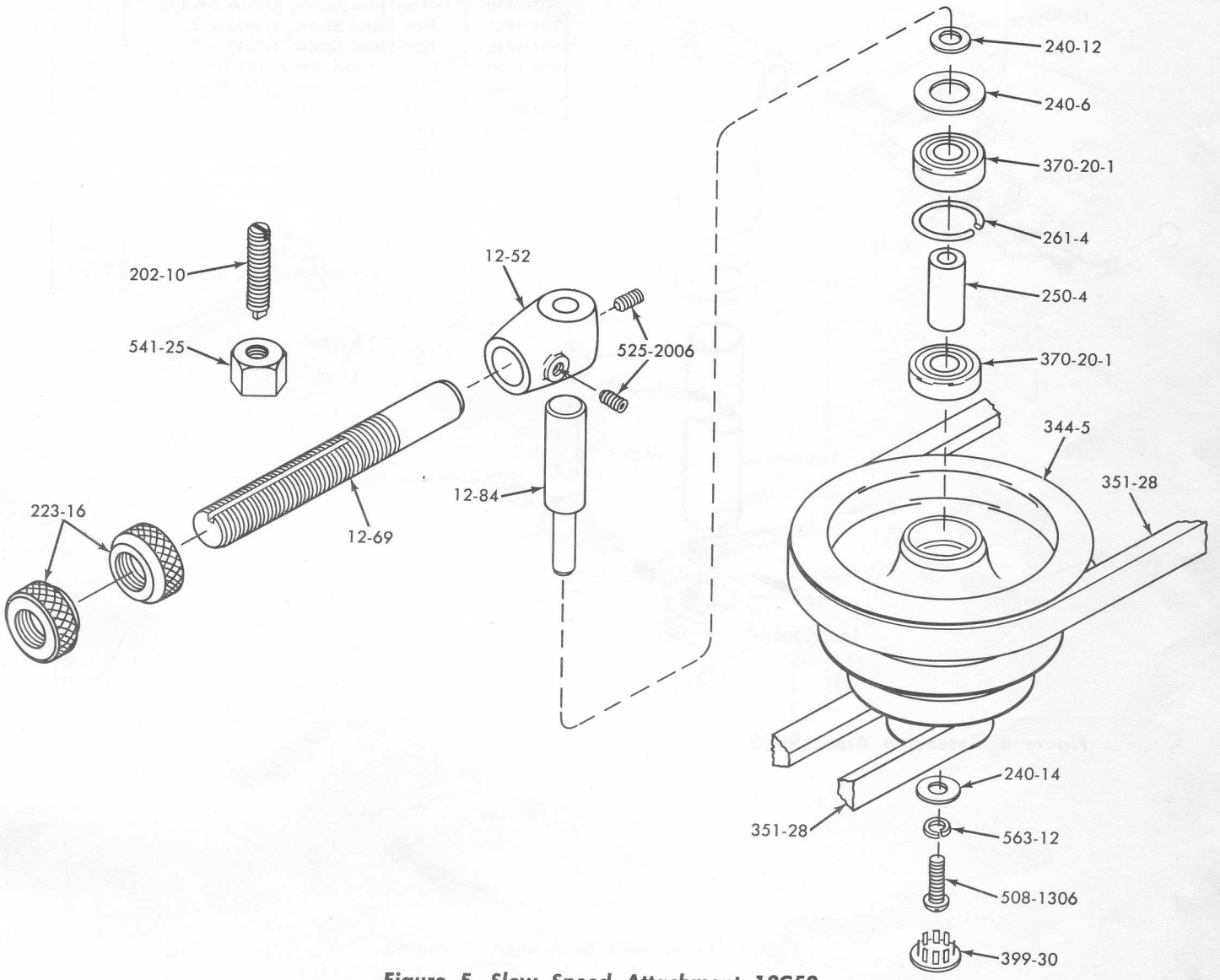


Figure 5. Slow Speed Attachment 12C52

WALKER-TURNER
15-INCH DRILL PRESS

PART NO.	DESCRIPTION	QUAN-TITY	PRICE
12C50	Extension Arm Assembly	1	
12A16	Column Stop Collar Assembly	1	
12-16	Stop Collar	1	
525-3208	Hollow Set Screw, 1/2-13 x 1/2	2	
12-36	Column	1	
12-50	Extension Arm	1	
230-5	Locking Plug	1	
231-11	Locking Plug	1	
234-2	Plug	4	
241-41	Washer	1	
361-1	Hand Lock Screw	1	
491-8	Socket Wrench, 1/2	1	
525-3208	Hollow Set Screw, 1/2-13 x 1/2 ..	2	
561-32	Washer, S.A.E. 1/2	1	

PART NO.	DESCRIPTION	QUAN-TITY	PRICE
12C51	Foot Feed Attachment Assembly	1	
12A51	Foot Lever Pinion Assembly	1	
12-51	Foot Lever Pinion	1	
300-1	Foot Lever Pinion Key	1	
330-40	Feed Control Pinion Gear	1	
525-2004	Hollow Set Screw, 5/16-18 x 1/4	1	
571-1008	Groove Pin, No. 1, 5/32 x 1/2 ..	1	
12-59	Gear Control Lever Bracket	1	
12-74	Pedal Bracket	1	
12-78	Foot Lever Arm	1	
12-91	Foot Lever Rod	1	
12-102	Foot Lever Pad	1	
12-109	Gear Safety Guard	1	
203-1	Shoulder Pin	1	
216-19	Foot Lever Swivel, Top	1	
216-21	Foot Lever Swivel, Bottom	1	
240-11	Washer	1	
250-26	Sleeve	1	
254-7	Collar	2	
310-38	Foot Lever Tension Spring	1	
399-1	Gear Control Lever	1	
501-2408	Hex Head Screw, 3/8-16 x 1/2 ..	2	
501-2428	Hex Head Screw, 3/8-16 x 1-3/4 ..	1	
501-2456	Hex Head Screw, 3/8-16 x 3-1/2 ..	1	
501-3232	Hex Head Screw, 1/2-13 x 2	1	
501-3248	Hex Head Screw, 1/2-13 x 3	1	
508-1610	Round Head Screw, 1/4-20 x 5/8 ..	2	
525-1604	Hollow Set Screw, 1/4-20 x 1/4 ..	2	
541-24	Hex Nut, 3/8-16	2	
541-32	Hex Nut, 1/2-13	1	
541-33	Hex Nut, 1/2-20	1	
545-32	Hex Jam Nut, 1/2-13	2	
545-33	Hex Jam Nut, 1/2-20	4	
561-16	Washer, S.A.E., 1/4	2	
561-24	Washer, S.A.E., 3/8	2	
561-32	Washer, S.A.E., 1/2	6	
563-24	Lock Washer, Medium, 3/8	1	

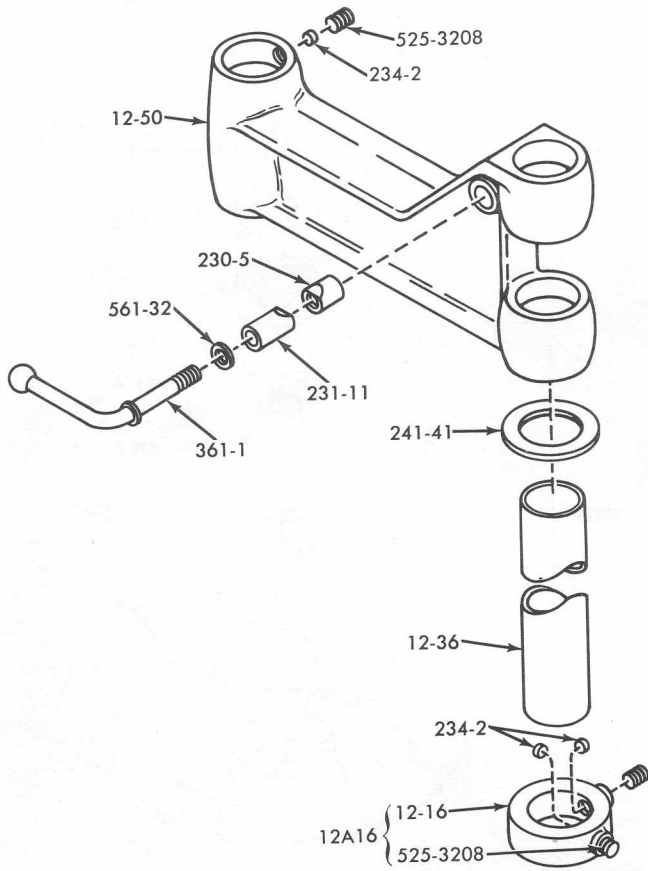


Figure 6. Extension Arm 12C50

WALKER-TURNER
15-INCH DRILL PRESS

PART NO.	DESCRIPTION	QUAN-TITY	PRICE
12-21	Single-Spindle Table	1	
12-22	Two-Spindle Table	1	
12-23	Three-Spindle Table	1	
12-24	Four-Spindle Table	1	
12-25	Five-Spindle Table	1	
12-26	Six-Spindle Table	1	
12C27	Floor Base Assembly	1	
12-27	Base	1	
525-3212	Hollow Set Screw, 1/2-13 x 3/4	2	
12C30	Tilt Table and Handle Assembly	1	
12A30	Tilt Table Assembly	1	
12-3	Tilt Table	1	
12-58	Table Bracket	1	
214-30	Stud	1	
299-4	Taper Pin	1	
541-41	Hex Nut, 5/8-18	1	
561-40	Washer, S.A.E., 5/8	2	
563-40	Lock Washer, St'd., 5/8	1	
361-2	Locking Handle	1	
453-32	Hex Nut, 1/2-13	1	
561-32	Washer, S.A.E., 1/2	1	
12C31	Production Table Assembly	1	
12-31	Production Table	1	
204-4	Locking Stud	1	
309-1	Table Key	1	
362-1-1	Handle	1	
501-2116	Hex Head Screw, 5/16-24 x 1	1	
536-32	Pipe Plug, 1/2	1	
561-20	Washer, S.A.E., 5/16	1	

PART NO.	DESCRIPTION	QUAN-TITY	PRICE
12C32	Floor Leg Assembly	1	
12-32	Floor Leg	2	
501-3324	Hex Head Screw, 1/2-20 x 1-1/2 ..	8	
563-32	Lock Washer, Medium, 1/2	8	
12A33	Column Bracket Assembly	1	
12-33	Column Bracket	1	
525-3212	Hollow Set Screw, 12-13 x 3/4	4	
12-54	Spindle Adapter, No. 33 Jacobs Taper to No. 1 Morse Taper	1	
12-55	Spindle Adapter, No. 1 Morse Taper to No. 33 Jacobs Taper	1	
12-56	Spindle Adapter, No. 2 Morse Taper to No. 33 Jacobs Taper	1	
395C20	Toggle Switch Assembly (Single Phase) (Used with Cover 395-9) ..	1	
395C25	Toggle Switch Assembly (Three Phase) (Used with Cover 395-9) ..	1	
504-2472	Carriage Bolt, 3/8-16 x 4-1/2	2	
504-2488	Carriage Bolt, 3/8-16 x 5-1/2	1	
525-3216	Hollow Set Screw, 1/2-13 x 1	2	
536-32	Pipe Plug, 1/2	2	
540-24	Square Nut, 3/8-16	3	
560-24	Washer, S.A.E., 3/8	3	

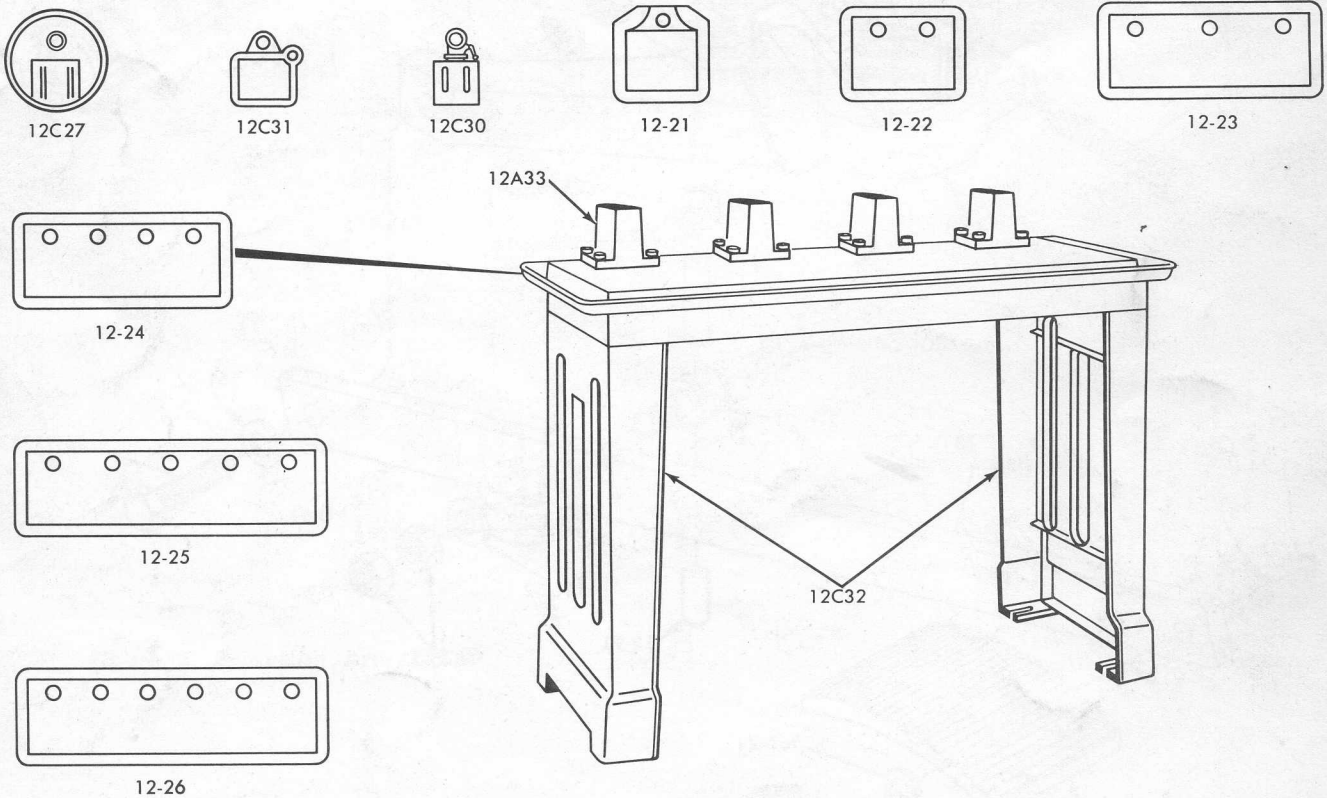


Figure 8. Miscellaneous Accessories