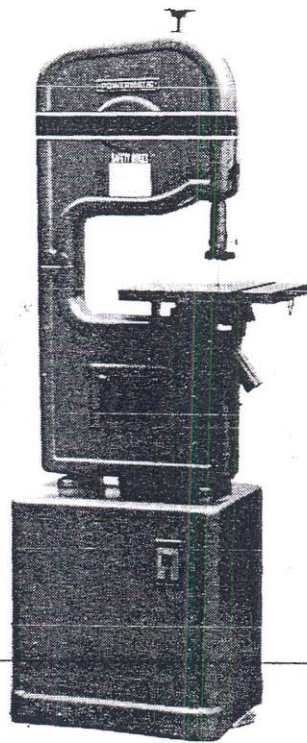


MODEL 143
14" BANDSAW

OPERATING INSTRUCTIONS
AND
PARTS LIST

Price \$2.50



Better By Design[®]

POWERMATIC[®] III

McMINNVILLE, TENNESSEE 37110 ☐ AC 615-473-5551

Foreword

This manual has been prepared for the owner and those responsible for the maintenance of a POWERMATIC Model 143 Bandsaw.

Its purpose, aside from machine operation, is to promote safety through the use of accepted correct operating and maintenance procedures. Read the safety and maintenance instructions thoroughly before operating or servicing the machine.

In order to obtain maximum life and efficiency from your Powermatic bandsaw and to aid in operating and maintaining the bandsaw with safety, read this manual thoroughly and follow all instructions carefully.

The specifications put forth in this manual were in effect at the time of publication. However, owing to Powermatic's policy of continuous improvement, changes to these specifications may be made at any time without obligation on the part of POWERMATIC.

The information and recommendations contained in this publication come from sources believed to be reliable and to represent the best current practice. Powermatic does not intend this manual to be a complete course of instruction on how to use this machine with safety and does not guarantee or represent that the information is absolutely correct or sufficient. In addition, it cannot be assumed that all acceptable safety measures are listed or that other additional measures are not needed under particular or exceptional circumstances or conditions.

WARRANTY

Powermatic, a Division of Stanwich Industries, Inc., Morrison Road, McMinnville, Tennessee 37110 ("Powermatic") warrants to its authorized distributors of Powermatic products and the original purchasers for such distributors, all products manufactured by Powermatic to be free of defects in material and workmanship for a period of twelve (12) months from the date of delivery from its authorized distributors or 2000 hours of use, whichever occurs first. During said warranty period Powermatic will, at its option, repair or replace any product (or component part thereof) proving defective during said period. This warranty applies only to products which are used in accordance with all instructions as to operation, maintenance and safety set forth in the catalogs, manuals, and/or instruction sets furnished by Powermatic. This warranty becomes effective only if the accompanying card is fully and properly completed and returned to Powermatic within ten (10) days from date of delivery to the original purchaser.

This warranty does not apply to items that would normally be consumed or require replacement due to normal wear (blades, lubricants, etc.); to electrical motors and components which are warranted by their manufacturer; or the costs of removal, shipment for service and reinstallation. Claims relating to electrical components must be taken to the component manufacturer's local authorized repair station for service.

This warranty is null and void if the product has been subjected to (1) misuse, abuse or improper service or storage; (2) accident, neglect, damage or other circumstances beyond Powermatic's control; (3) modifications, disassembly, tampering, alterations or repairs outside of Powermatic's factory not authorized by Powermatic; or to any product not bearing its original serial number plate. This warranty does not apply to normal wear and tear, corrosion, abrasion, or repairs required due to natural causes or acts of God.

To obtain the fastest possible warranty service you must first notify in writing the authorized Powermatic distributor from whom you purchased the product specifying (1) the product by catalog number and serial number, (2) the date the product was delivered to you, (3) a description of the problem for which you seek warranty service, and (4) evidence of proof of purchase. Should circumstances prohibit you contacting the distributor then contact the Powermatic factory directly. If your claim is covered by this warranty, your Powermatic distributor will provide you with instructions as to how and where service will be provided. On simple warranty replacement or repairs, installations instructions will be provided to allow correction by customer personnel. Powermatic assumes no responsibility for products which are returned without its prior written authorization. Powermatic's obligation under this warranty shall be exclusively limited to repairing or replacing (at Powermatic's option) products which are determined by Powermatic to be defective upon delivery, F.O.B. (return freight paid by customer) Powermatic's factory, and on inspection by Powermatic. In no event shall Powermatic's liability under this warranty exceed the purchase price paid for the product.

THIS IS POWERMATIC'S SOLE WRITTEN WARRANTY. ANY AND ALL OTHER WARRANTIES WHICH MAY BE IMPLIED BY LAW, INCLUDING ANY WARRANTIES FOR MERCHANTABILITY OR FITNESS FOR A PARTICULAR PURPOSE, ARE HEREBY LIMITED TO THE DURATION OF THIS WRITTEN WARRANTY. POWERMATIC SHALL NOT BE LIABLE FOR ANY LOSS, DAMAGE, OR EXPENSES DIRECTLY OR INDIRECTLY RELATED TO THE USE OF ITS PRODUCTS OR FROM ANY OTHER CAUSE OR FOR CONSEQUENTIAL DAMAGES (INCLUDING WITHOUT LIMITATION, LOSS OF TIME, INCONVENIENCE, AND LOSS OF PRODUCTION). THE WARRANTY CONTAINED HEREIN MAY NOT BE MODIFIED AND NO OTHER WARRANTY, EXPRESS OR IMPLIED, SHALL BE MADE BY OR ON BEHALF OF POWERMATIC.

SAFETY DECALS – MODEL 143

SAFETY RULES

CAREFULLY READ INSTRUCTION MANUAL BEFORE OPERATING MACHINE.

DO NOT OPERATE WITHOUT ALL GUARDS AND COVERS IN POSITION.

BE SURE MACHINE IS ELECTRICALLY GROUNDED.

REMOVE OR FASTEN LOOSE ARTICLES OF CLOTHING SUCH AS NECKTIES, ETC. CONFINE HAIR.

REMOVE JEWELRY SUCH AS FINGER RINGS, WATCHES, BRACELETS, ETC.

USE SAFETY FACE SHIELD, GOGGLES, OR GLASSES TO PROTECT EYES AND OTHER PERSONAL SAFETY EQUIPMENT AS REQUIRED.

STOP MACHINE BEFORE MAKING ADJUSTMENTS OR CLEANING CHIPS FROM WORK AREA.

KEEP THE FLOOR AROUND THE MACHINE CLEAN AND FREE FROM SCRAPS, SAWDUST, OIL OR GREASE TO MINIMIZE THE DANGER OF SLIPPING.

3330283

The Powermatic Model 143 - 14" Bandsaw is constructed of cast iron, braced to give maximum rigidity. Streamlined in appearance, all moving parts are guarded for safe operation. The top and bottom bandsaw wheels are easily accessible through large hinged doors on the front of saw. Separate enclosed floor stand keeps motor and drive free from cuttings and dust.

MOTOR AND WIRING: Electric wiring is connected to motor wiring in switch box mounted in the base. Motor should be inspected and checked for rotation before operating machine. Operate lower unit and check rotation before installing blade.

POWER DRIVE: The saw is driven with a motor mounted in the base of the machine. A 1/2 HP motor is sufficient for light and medium work and a 3/4 HP for heavy work and resawing. The motor is mounted on an adjustable hinged base.

INSTALLING BLADE: To install bandsaw blade, remove taper pin from front of table; open the large hinged doors. Take the blade in both hands and slide through the table slot and over bandsaw wheels. With blade placed in the center of the band wheels, increase tension with tension screw (1) Figure 1. Set upper and lower saw guides so that they will clear the saw blade. Turn the band wheels by hand to see that saw blade tracks properly. If blade runs to the front of the band wheel, handwheel (2) Figure 1 should be turned to the right or clockwise until blade runs to the center of wheel. If blade runs to the back, turn handwheel (2) Figure 1 to the left or counter-clockwise. For accurate work and maximum blade life it is important that the blade runs centered on the wheels. When the adjustment has been properly made, the blade will track; that is, it will run steadily in the same line.

WHEEL ALIGNMENT: The band wheels are properly aligned at the factory, and should operate properly. However, in shipping the original adjustment may have moved, necessitating re-alignment. The lower wheel housing should be adjusted by shimming. Upper wheels are mounted on a pivot and can be positioned by turning set screw (7) Figure 2 to the left or right.

BLADE GUIDE ADJUSTMENT: For proper operation, the saw blade must be supported by an upper and lower saw guide. The lower guide is mounted under the table and the upper guide is mounted on an adjustable bar above the table. The purpose of the bandsaw guide is to support the blade in cutting circles. It is very important that the guides be set in proper relation to the saw blade. To set the guides to the saw blade, set the tension on the blade and start the saw to check tracking. Stop and lock out the saw motor and then proceed. Set the upper guide as follows: Loosen set screw on the guide blocks (8) Figure 2 and move the blocks until both upper and lower guides clear the blade. Loosen wingnut (5) Figure 2 and move guide holder until the guide edge is just back of the gullet in the saw blade. Loosen wing screw (4) Figure 2 and adjust backup bearing (6) by turning screw (10) Figure 2 until bearing (6) just touches the back of the blade when band wheel is turned by hand. To adjust side blocks to blade, set the right hand guide block until it just clears the blade and fasten in place with screw (8). Place a thin piece of paper (9) around saw band

and push left hand guide back against saw band. Tighten saw guide block. Repeat this process in setting lower guide. The thin paper strip guarantees proper clearance of blade between guides.

BLADE TENSION: Correct blade tension is very important for efficient operation. The wide and thicker blades require for tension and narrow blades. Blades too tight or too loose increase blade fatigue, greatly reducing the life expectancy of the blade.

TABLE ADJUSTMENTS: The table is mounted on heavy duty trunnions that rest on trunnion base (4) Figure 3. The table can be tilted 45 degrees to the right and 12 degrees to the left. Table is locked in position with trunnion locks (5) Figure 3. To level table with blade, raise blade guide as high as possible and place machinist square against side of blade. Set table stop on the back of table by adjusting screw on top of the stop, (6) Figure 3. The stop bar may be removed for tilting table to the left.

LUBRICATION: The bearings on the top and bottom shaft are sealed for life, requiring no lubrication. The slides and adjusting screws should be lubricated at regular intervals with a light weight oil to insure proper operation.

SPEED RANGE: The speed range of this machine is from 40 to 3000 surface feet per minute (SFM). Speeds are obtained from a two speed transmission and four step pulleys. To change speed, open transmission cover guard and shift from low to high range with knob (11) Figure 4. If speed does not change easily, turn sheave (14) Figure 4 by hand until transmission shifts. Intermediate speeds are obtained by loosening handle (12) Figure 4 and changing belt (13) in sheaves (14). The speeds are indicated on a plate on the frame of the machine (16) Figure 1.

TRANSMISSION LUBRICATION: The transmission runs in oil and is filled by removing plug (15) Figure 4 and pouring in 1 1/2 pints of 40 weight oil. Transmission is sealed and does not require oil change unless it is dismantled.

BANDSAW SAFETY INSTRUCTIONS

1. Read, Understand, and follow the safety and operating instructions found in this manual. Know the limitations and hazards associated with this bandsaw. A safety rules decal is installed on each machine to serve as a reminder of basic safety practice.

2. Grounding the Bandsaw: Make certain that the machine frame is electrically grounded and that a grounding lead is included in the incoming electrical service. In cases where a cord and plug are used, make certain that the grounding lug connects to a suitable ground. Follow the grounding procedure indicated by the National Electric Code.

3. Eye Safety: Wear an approved safety shield, goggles, or glasses to protect the eyes when operating the bandsaw.

4. Personal Protection: Before operating the machine, remove tie, rings, watch, and other jewelry and roll up sleeves above the

elbow. Remove all loose outer clothing and confine long hair. Protective-type footwear should be worn. Hearing protectors should be used where noise exceeds the level of exposure allowed in Section 1910.95 of the OSHA regulations. DO NOT wear gloves.

5. Work Area: Keep the floor around the machine clean and free of scrap material, chips, oil, grease, coolant, tools or accessories to minimize the danger of slipping or tripping. Be sure the table is free of all scrap, foreign material and tools before starting a cut. Powermatic recommends the use of anti-skid floor strips on the floor area where the operator usually stands and that each machine work area be marked off. Make certain the work area is well lighted and ventilated. Where dust or fumes present a hazard, provide a proper exhaust system. Provide for adequate work space around the machine.

6. Guards: Keep the machine guards in place at all times when the machine is in use. If removed for maintenance purposes, use extreme caution and replace the guards on completion of the maintenance task before using the bandsaw.

7. Do Not Overreach: Maintain a balanced stance and keep your body under control at all times. Do not overreach.

8. Use Blades That are in Good Condition: Blades that are not sharp or have missing teeth can require excessive force or could break. Examine the back of a blade. If it is rolled over, do not use the blade. Do not exceed 500 surface feet per minute (2.54m/s) using high speed steel blades.

9. Hand Safety: Keep hands away from blade while it is in motion. Always adjust the guide bar to be as close to the top of the workpiece or fixture as possible to minimize blade exposure. Do not open upper or lower bandsaw door while machine is under power. Do not position hands on stock in line with the bandsaw blade.

10. Wheel Rotation: Be sure the bandsaw wheels rotate

11. Machine Adjustments: Make all adjustments with power off.

12. Machine Capacity: Do not make any cuts requiring more power than is available on the machine.

13. Avoid Accidental Starts: Make certain the motor switch is in the "OFF" position before connecting power to the bandsaw.

14. Careless Acts: Give the work you are doing your undivided attention. Looking around, carrying on a conversation, and "horseplay" are careless acts that can result in serious injury.

15. Job Completion: If the operator leaves the machine area for any reason, the bandsaw should be turned off and come to a complete stop before his departure. In addition, if the operation is complete, he should clean the bandsaw and work area. Never clean the machine with the power on and never use the hands to clear chips or sawdust; use a brush.

16. Disconnect the Machine: Before performing any service or maintenance and when changing blades.

17. Replacement Parts: Use only Powermatic or factory authorized replacement parts and accessories; otherwise, the warranty will be null and void, and Powermatic holds itself harmless from any injuries which may result.

18. Misuse: Do not use this Powermatic bandsaw for other than its intended purpose. If used for other purposes, Powermatic disclaims any real or implied warranty and holds itself harmless for any injury which may result from such use.

Do not equip your Powermatic bandsaw with a motor larger than 3/4HP (.53kw) at 1800 rpm. Doing so voids the warranty and Powermatic holds itself harmless from any injury that may result.

19. Workpiece: Do not attempt to cut bar stock, tubing, dowel rods, or irregular shaped bars unless these parts are fixtured to prevent their being rotated by the blade.

MACHINE DESCRIPTION AND SPECIFICATIONS

FRAME: Throughout the years CAST IRON has proven to be the ultimate material for vibrationless, trouble-free service, so Powermatic has chosen a MASSIVE one-piece cast iron frame, ribbed and cross-ribbed, to house the precision mechanism forming the "heart" of the Model 143.

TRANSMISSION: Ball bearing driven entirely...a massive, quick-change two speed gear box constantly bathed in oil for noiseless, wear-less operation. the two-speed transmission and step pulley drive provide any of eight speeds from 40 to 3000 SFM for cutting a variety of metals, plastics and wood.

WHEELS: Heavy duty cast iron upper and lower wheels are precision machined and dynamically balanced for smooth running. Ground rubber tires provide positive grip, preventing blade slippage.

TABLE: A huge 15" x 15" cast iron table, accurately ground and machined for hair-line cutting is equipped with side take-out permitting use of a solid rip fence guide rail. Tilts 45 degrees right - 12 degrees left with positive stop at 90 degrees..

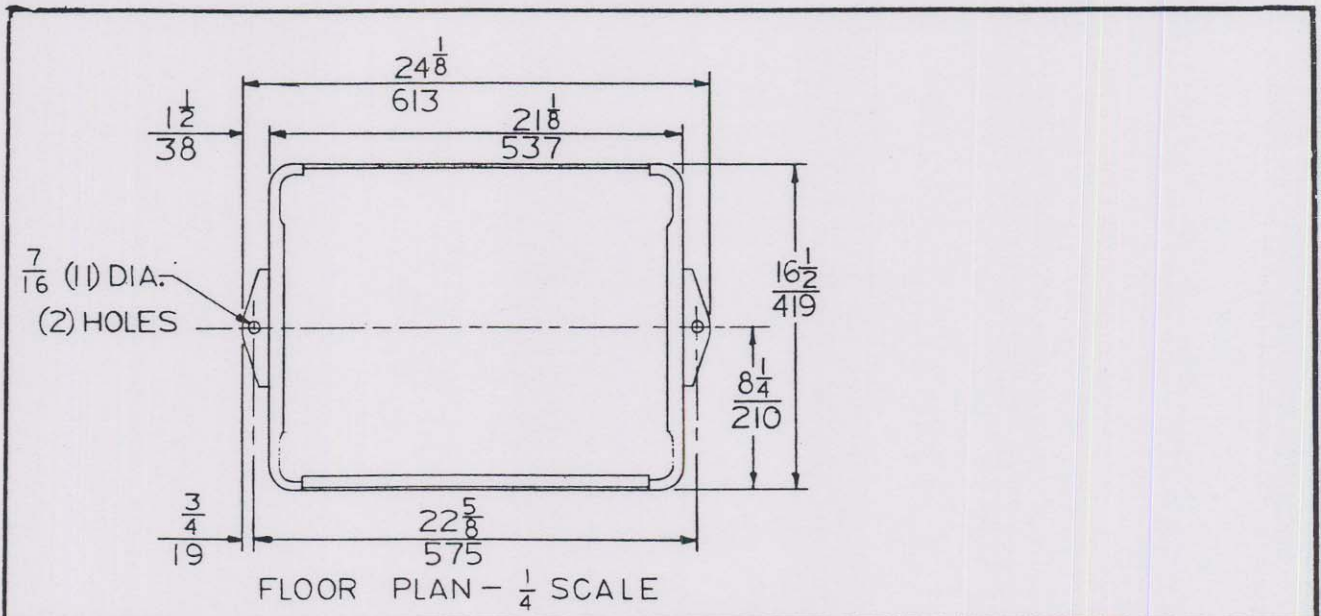
TRUNNION: Wide-spaced cast iron and steel trunnion assures positive locking of table. An easy to read "sight" scale is mounted on rear of table for quick, positive tilt adjustment.

SAW GUIDES: The top saw guide is fitted with backup ball bearing and large hardened steel side guides. This design places lower guide just below the table surface for closer tolerance work.

GUARDS: All moving parts are guarded. Only the operating portion of the blade is exposed. Large pressed steel doors enclose upper and lower wheels.

SAW BLADE ADJUSTMENT: Blade tension is adjusted with conveniently located handwheel, spring-loaded to absorb shock and maintain equal tension on the saw blade. Convenient scale, mounted at eye-level for proper blade tension.

MODEL 143 BAND SAW - DIMENSIONAL DRAWING



NOTE: LOWER DIMENSIONS IN MILLIMETERS

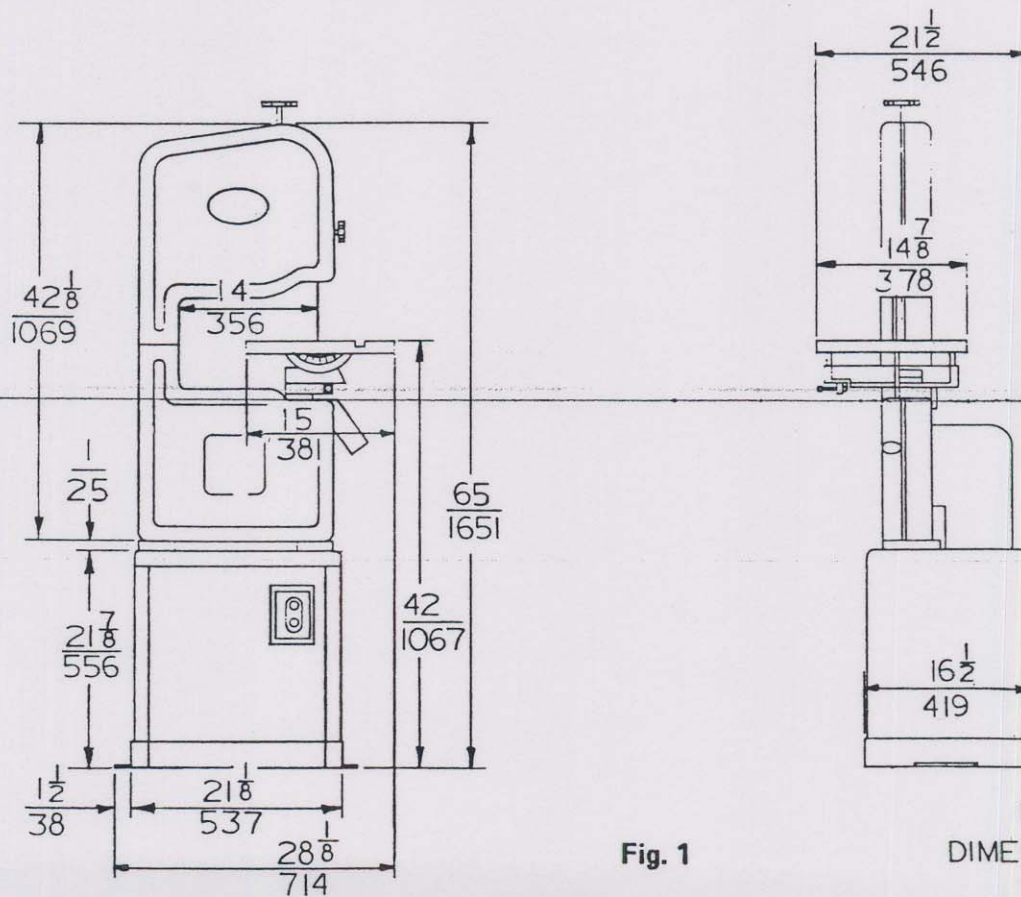


Fig. 1

143 B.S.
DIMENSIONAL DWG.
014 0057

FIGURE 1

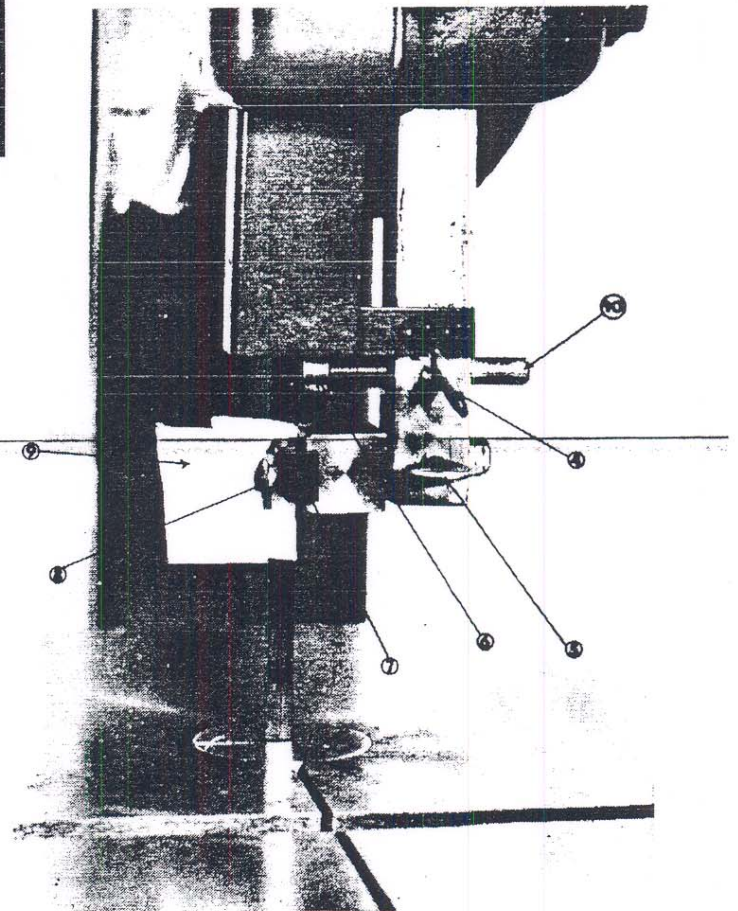
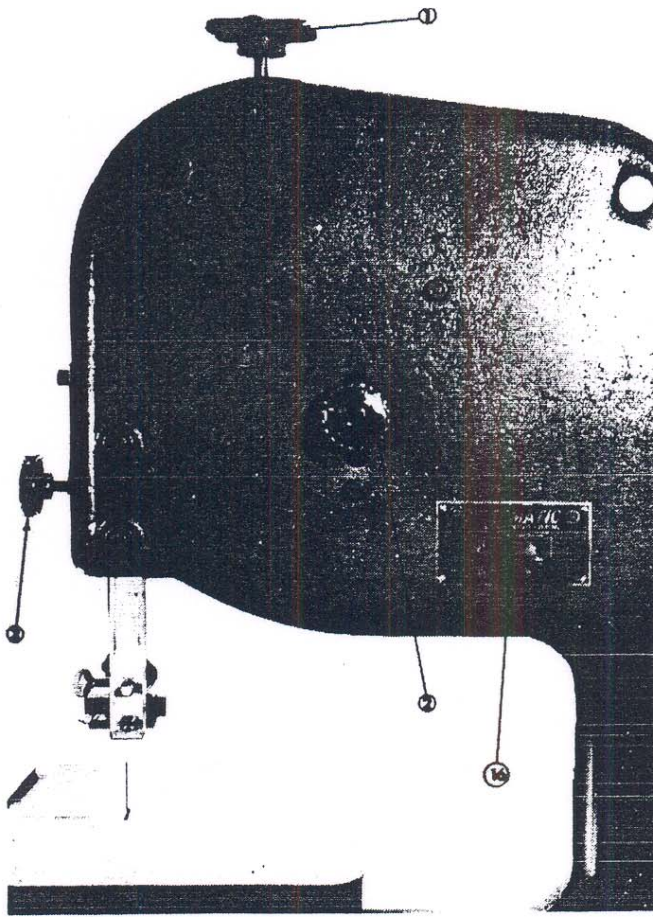


FIGURE 3

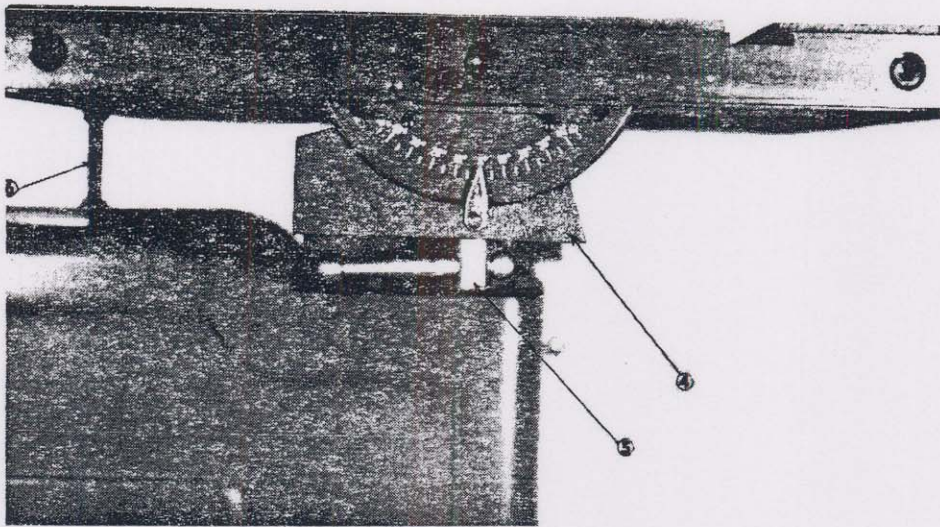
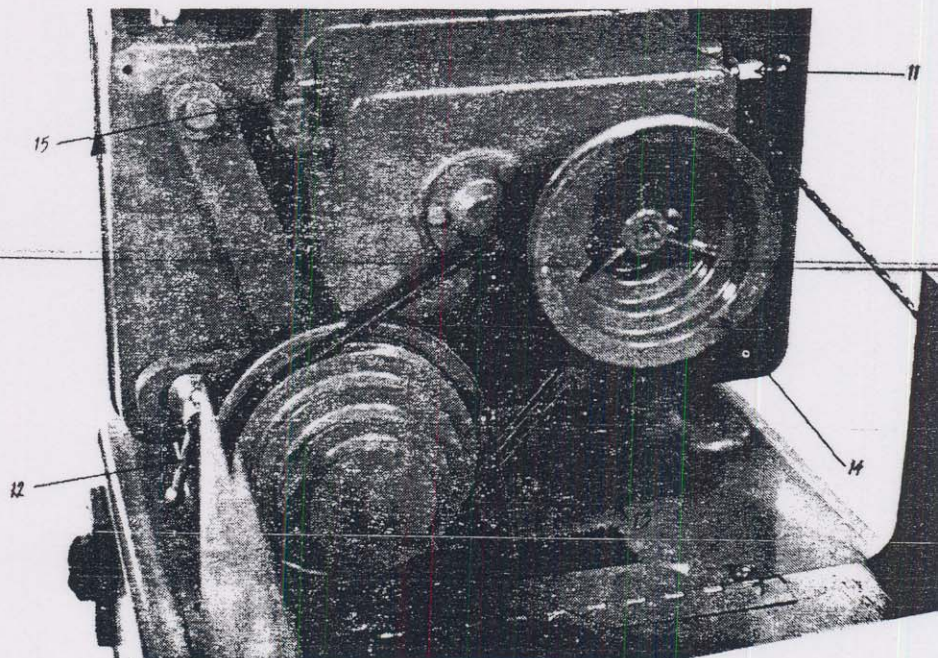
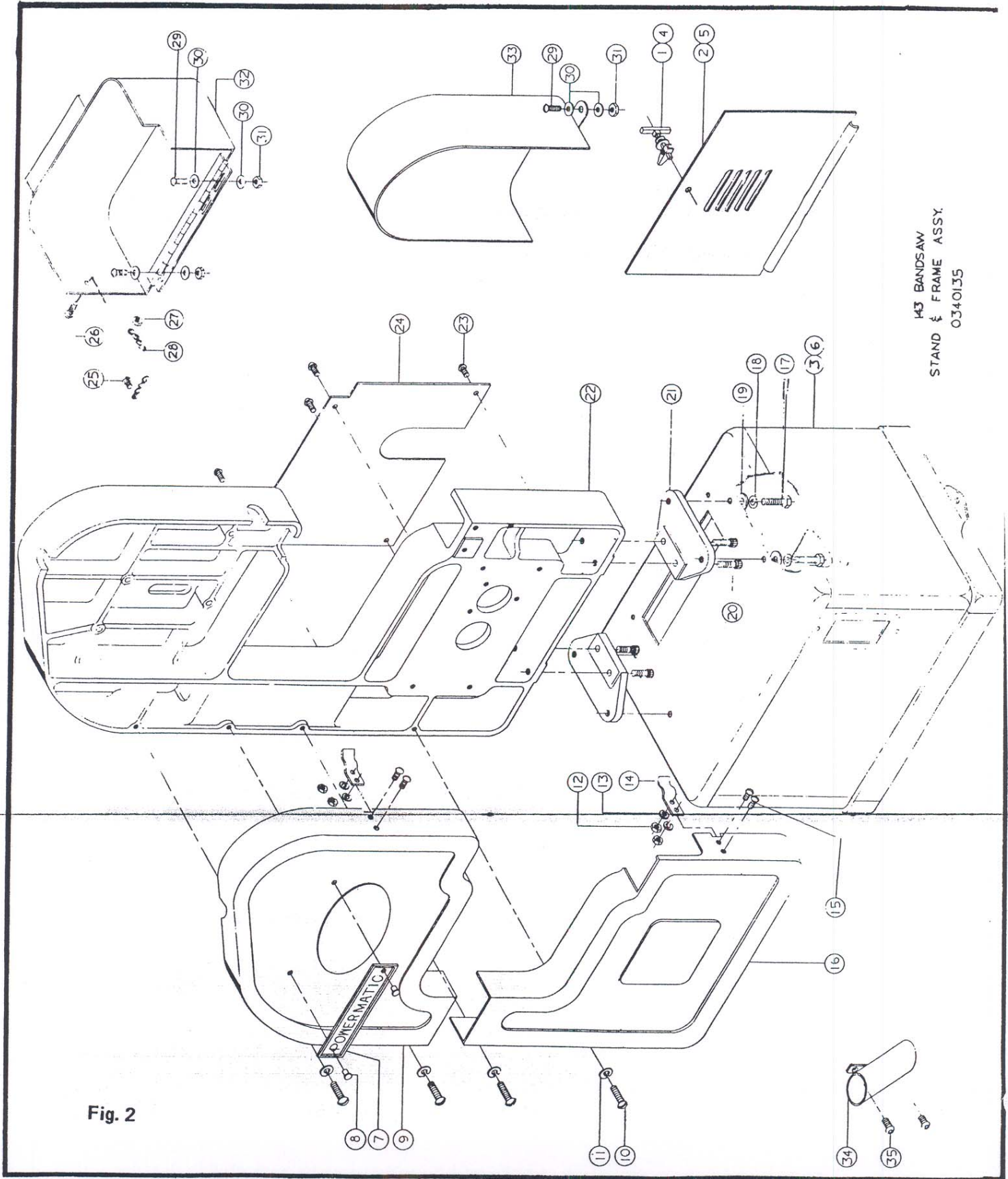


FIGURE 4



MODEL 143 BAND SAW - STAND & FRAME ASSEMBLY



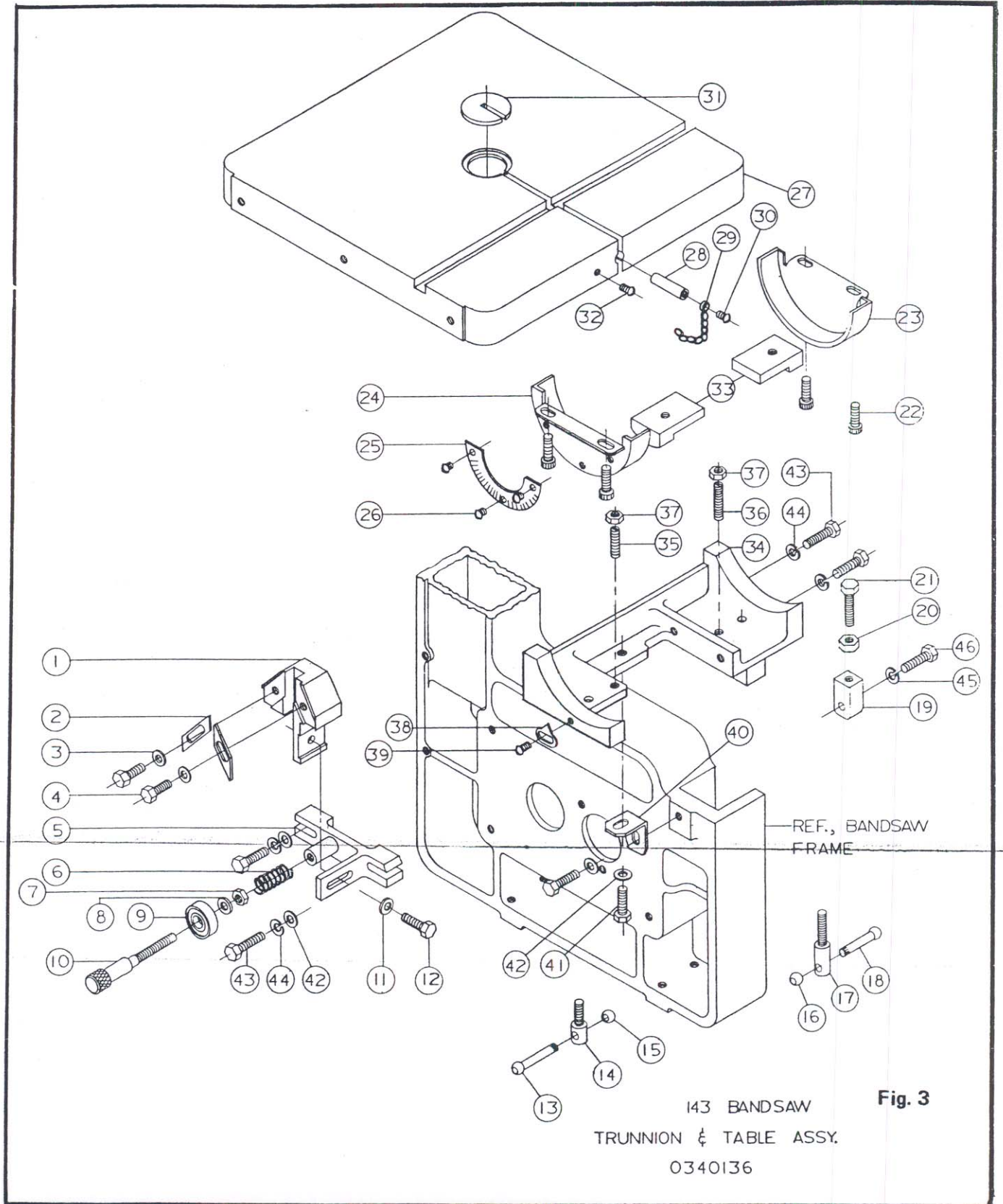
143 BANDSAW
STAND & FRAME ASSY.
0340135

Fig. 2

MODEL 143 BAND SAW - STAND & FRAME ASSEMBLY

ITEM NO.	PART NO.	DESCRIPTION	QTY.
	2759029	STAND ASSEMBLY (ITEMS 4 THRU 6)	
4	2136012 6440002	DOOR ASSY., (ITEMS 4 & 5) LATCH, CABINET "T" HANDLE 61-30-4-0	1
5	3136003	DOOR, UNIVERSAL	1
6	2759032	STAND ASSY. (WELDMENT)	1
7	3312252	PLATE, I.D., POWERMATIC	1
8	6680020	RIVET, 5/32 X 1/4"	2
9	2136020	DOOR ASSY., UPPER	1
10	6715055	SRC., RD. HD., 5/16-18 X 1/2"	4
11	6861200	WASHER, LOCK, 5/16"	4
12	6506001	NUT, HEX, 6-32	4
13	6860601	WASHER, LOCK, No. 6	4
14	3420003	LATCH, DOOR	2
15	6706036	SCR., Rd. Hd. MACH., 6-32 X 3/8"	4
16	2136021	DOOR ASSY., LOWER	1
17	6716039	SCR., HEX HD. CAP, 3/8-16 X 1-1/4"	4
18	6861300	WASHER, LOCK, 3/8"	4
19	6861301	WASHER, FLAT, 3/8"	4
20	6715021	SCR., SOC. HD. CAP, 5/8-18 X 1-1/4"	4
21	3423008	LEG, FRAME	2
22	3218006	FRAME, SAW	1
25	6706035	SCR., RD. HD. MACH., 6-32 X 1/4"	1
26	6708014	SCR., RD. HD. MACH., 8-32 X 1/2"	1
27	6508001	NUT, HEX, 8-32	1
28	3083019	CHAIN, SASH, No. 8 X 10-1/4" LG.	1
29	6714062	SCR., RD. HD.	
30	6861101	WASHER, FLAT, 1/4"	4
31	6514011	NUT, HEX JAM, 1/4-20	2
32	2104010	COVER, LOWER DRIVE ASSY.	1
34	2063061	EXHAUST PIPE ASSY.(WELDMENT)	1
35	6710062	SCR., BUTTON HD., 10-24 X 3/8"	2

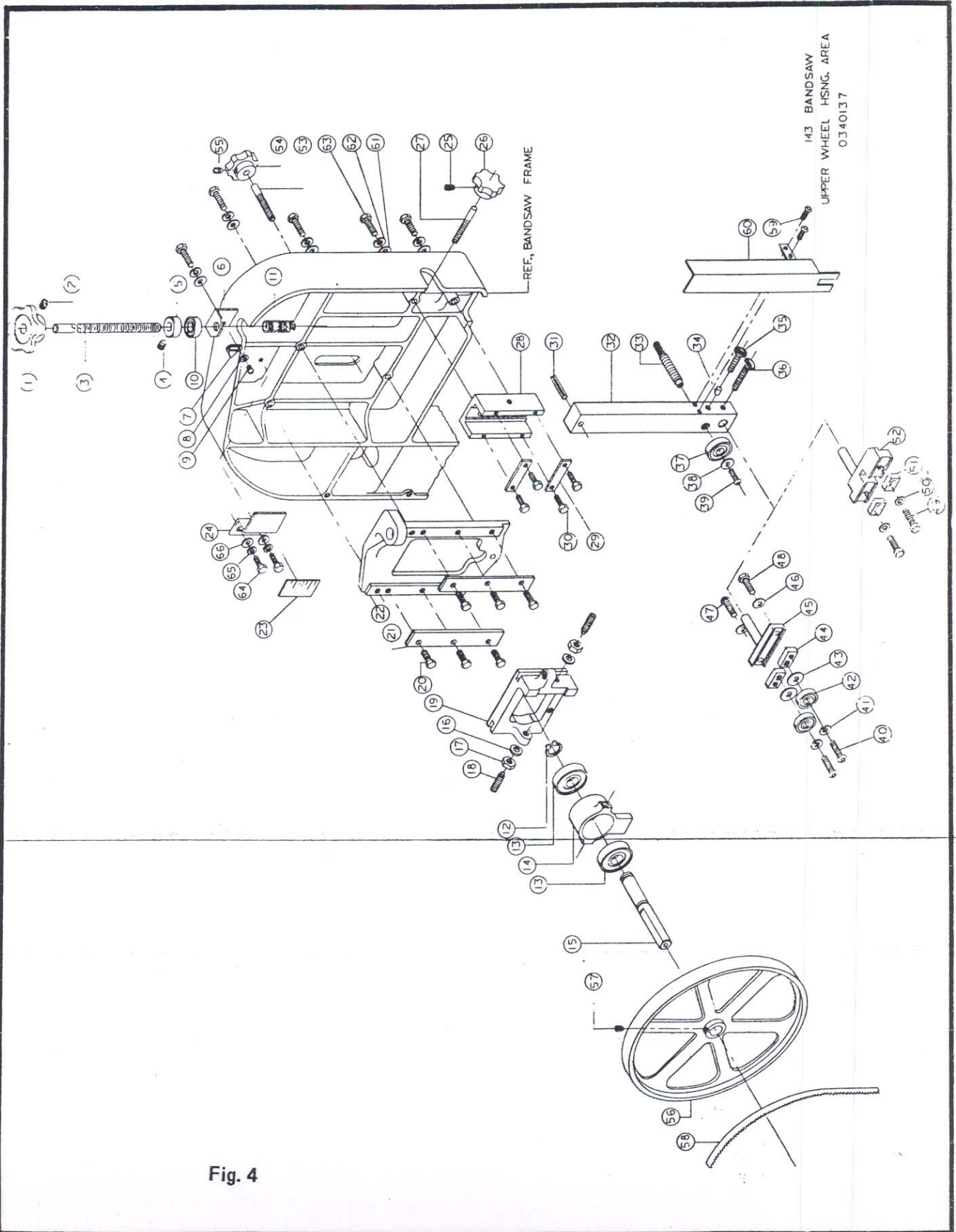
MODEL 143 BAND SAW – TRUNNION & TABLE ASSEMBLY



MODEL 143 BAND SAW - TRUNNION & TABLE ASSEMBLY

ITEM NO.	PART NO.	DESCRIPTION	QTY.	ITEM NO.	PART NO.	DESCRIPTION	QTY.
	2253040	GUIDE ASSY., LOWER (ITEMS 1 THRU 12)		39	6706035	SCR., RD. HD. MACH., 6-32 X 1/4"	1
1	3253016	GUIDE, LOWER, HOLDER	1	40	3094013	CLIP, TRUNNION BRACKET SUPPORT	1
2	3328004	INSERT, GUIDE	2	41	6715033	SCR., HEX HD. CAP, 5/16 -18 X 1/2"	2
3	6861107	WASHER, FLAT, 1/4"; 5/8" O.D.	2	42	6861201	WASHER, FLAT, 5/16"	4
4	6714049	SCR., HEX HD. CAP, 1/4-20 X 3/4"	2	43	6715034	SCR., HEX HD. CAP, 5/16 -18 X 1-1/4"	4
5	3063007	BRACKET, LOWER GUIDE MOUNTING	1	44	6861200	WASHER, LOCK, 5/16"	4
6	6813063	SPRING, DUDEK & BOCK No. 143	1	45	6861300	WASHER, LOCK, 3/8"	1
7	6516002	NUT, HEX JAM, 3/8-16	1	46	6716039	SCR., HEX HD. CAP, 3/8-16 X 1-1/4"	1
8	6861309	WASHER, FLAT, 3/8" (PLATED)	1				
9	6060002	BEARING, FAFNIR No. 200PP	1				
10	3702002	SHAFT, LOWER BACKUP BEARING	1				
11	6861201	WASHER, FLAT, 5/16"	1				
12	6715035	SCR., HEX HD. CAP, 5/16-18 X 3/4"	1				
	2695023	SCREW LOCK ASSY., SHORT (ITEMS 13 THRU 15)					
13	3268002	HANDLE, LOCK SCREW	1				
14	3695012	SCREW, LOCK TRUNNION	1				
15	3406016	KNOB, HANDLE	1				
	2695022	SCREW LOCK ASSY., LONG (ITEMS 16 THRU 18)					
16	3406016	KNOB, HANDLE	1				
17	3695013	SCREW, LOCK, TRUNNION	1				
18	3268002	HANDLE, LOCK SCREW	1				
	2063016	BRACKET ASSY., TABLE STOP (ITEMS 19 THRU 21)					
19	3064038	BRACKET, TABLE STOP	1				
20	6567001	NUT, HEX JAM, 7/16-20	1				
21	6767005	SCR., HEX HD. CAP, 7/16 -20 X 1-3/4"	1				
	2797021	TABLE ASSY. (ITEMS 22 THRU 27)					
22	6715023	SCR., SOC. HD. CAP, 5/16-18 X 1/2"	4				
23	3810002	TRUNNION, W/O HOLES	1				
24	3810001	TRUNNION, W/HOLES	1				
25	3684202	SCALE, TILTING	1				
26	6747000	SCR., RD. HD. DRIVE, 4 X 3/16	3				
27	3797048	TABLE, BANDSAW	1				
	2590001	PIN ASSEMBLY, TAPER (ITEMS 28 THRU 30)					
28	3582011	PIN, TAPER	1				
29	3083020	CHAIN, No. OO SAFETY X 5" LONG	1				
30	6706079	SCR., RD. HD., 6-32 X 1/4"	1				
31	3328203	INSERT, TABLE	1				
32	6706036	SCR., RD. HD. MACH., 6-32 X 3/8"	1				
33	3092013	CLAMP, TRUNNION	2				
34	3063060	BRACKET, TRUNNION MTG.	1				
35	6716126	SCR., SET, CUP PT., SLOTTED, 3/8-16 X 1-1/4"	1				
36	6716127	SCR., SLOTTED HEADLESS, SET, CUP PT., 3/8-16 X 2"	1				
37	6516009	NUT, HEX JAM, 3/8-16	2				
38	3604004	POINTER, TRUNNION	1				

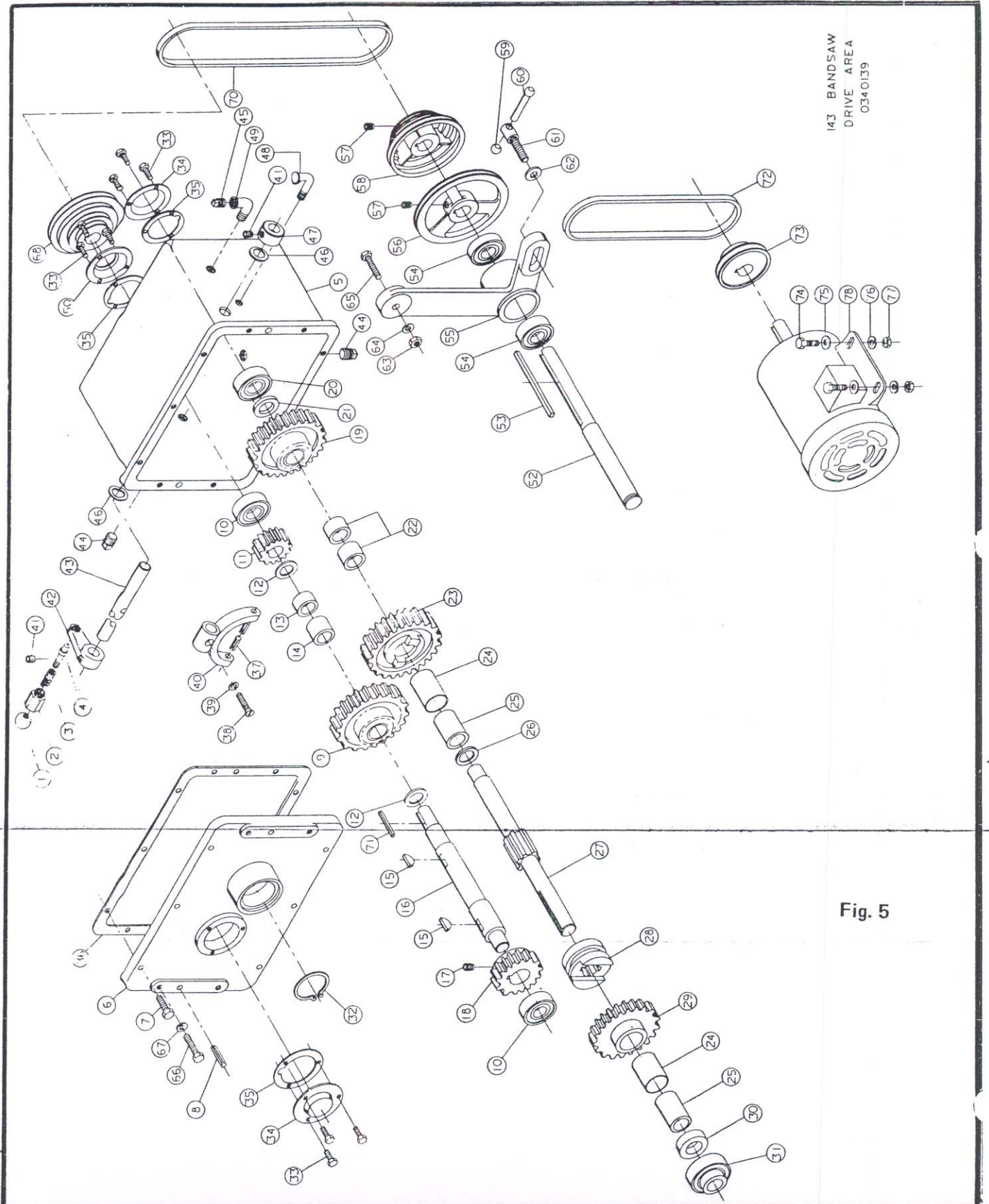
MODEL 143 BAND SAW – UPPER WHEEL HOUSING AREA ASSEMBLY



MODEL 143 BAND SAW – UPPER WHEEL HOUSING AREA ASSEMBLY

ITEM NO.	PART NO.	DESCRIPTION	QTY.	ITEM NO.	PART NO.	DESCRIPTION	QTY.
	2298006	UPPER WHEEL HOUSING ASSY. (ITEMS 1 THRU 22)		36	6715134	SCR., THUMB, 5/16-18 X 1-1/2" (ZINC PLATED)	1
	2690018	SCREW ASSY., TENSION ADJ. (ITEMS 1 THRU 11)		37	6060002	BEARING, FAFNIR, 200PP	1
1	3271008	HANDWHEEL, 3-1/2" DIA.	1	38	6861101	WASHER, FLAT, 1/4"	1
2	6715016	SCR., SOC. SET, CUP PT., 5/16-18 X 1/4"	1	39	6714082	SCR., BUTTON HD., SOC. CAP, 1/4-20 X 3/8"	1
3	3690030	SCREW, TENSION ADJUSTING	1		2253059	GUIDE ASSEMBLY UPPER (ITEMS 49 THRU 52)	
4	6715015	SCR., SOC. SET, CUP PT., 5/16-18 X 1/4"	1	49	6714049	SCR., HEX HD., 1/4-20 X 3/4"	2
5	3096202	COLLAR	1	50	6861107	WASHER, FLAT, 1/4, 5/8" O.D.	2
6	3094011	CLIP, SPRING	1	51	3328011	INSERT, GUIDE	2
7	3604004	POINTER	1	52	3289013	HOLDER, UPPER GUIDE	1
8	6860600	WASHER, FLAT, No. 6	1		2850004	UPPER WHEEL TILTING ASSY. (ITEMS 53 THRU 55)	
9	6706035	SCR., RD. HD., 6-32 X 1/4" (ZINC PLATED)	1	53	3695025	SCREW, TILTING	1
10	6065000	BEARING, THRUST, NICE No. 603-1/4	1	54	3406018	KNOB	1
11	6813029	SPRING, No. 43	1	55	6714004	SCR., SOC. SET, CUP PT., 1/4-20 X 1/4"	1
	2709006	SHAFT ASSY., UPPER WHEEL (ITEMS 12 THRU 15)		56	2850008	WHEEL ASSY., UPPER AND LOWER	2
12	6670001	RING, RETAINING, No. 5100-66	1	57	6715011	SCR., SOC. SET, CUP PT., 5/16-18 X 3/8"	1
13	6060051	BEARING, FAFNIR No. 203NPPG	2	58	6080006	BLADE, B.S. 1/8" W X 96" LG. METAL	1
14	3298011	HOUSING, BEARING	1		6080007	BLADE, B.S. 3/16" W X 96" L METAL	
15	3707005	SHAFT, UPPER WHEEL	1		6080008	BLADE, B.S. 1/4" W X 96" L METAL	
16	6861500	WASHER, LOCK, 1/2"	2		6080009	BLADE, B.S. 3/8" W X 96" L METAL	
17	6518008	NUT, HEX JAM, 1/2-13	2		6080010	BLADE, B.S. 1/2" W X 96" L METAL	
18	6718038	SCR., SOC. HD., HALF DOG PT., 1/2-13 X 1-1/4"	2		6080011	BLADE, B.S. 3/4" W X 96" L METAL	
19	3063040	BRACKET, UPPER BEARING HOUSING	1		6080012	BLADE, B.S. 3/4" W X 96" L 10 PITCH, METAL	
20	6715033	SCR., HEX HD. CAP, 5/16-18 X 1/2"	6	59	6714083	SCR., BUTTON HD. SOC. CAP, 1/4-20 X 1/2"	2
21	3244003	GIB, SLIDE BRACKET	2	60	2250087	BLADE GUARD ASSY., (WELDMENT)	1
22	3063019	BRACKET, UPPER BEARING HOUSING MOUNTING	1	61	6861301	WASHER, FLAT, 3/8"	5
	2063018	TENSION BRACKET ASSEMBLY (ITEMS 23 & 24)		62	6861300	WASHER, LOCK, 3/8"	5
23	3684210	SCALE, PLATE	1	63	6716035	SCR., HEX HD. CAP, 3/8-16 X 1-3/4"	5
24	3064050	BRACKET, TENSION ADJ.	1	64	6715033	SCR., HEX HD. CAP, 5/16-18 X 1/2"	2
	2040007	GUIDE BAR ASSEMBLY (ITEMS 25 THRU 39)		65	6861200	WASHER, LOCK, 5/16"	2
	2440006	LOCK ASSY., GUIDE BAR (ITEMS 25 THRU 27)		66	6861201	WASHER, FLAT, 5/16"	2
25	6714011	SCR., SOC. SET, CUP PT., 1/4-20 X 1/4"	1				
26	3406018	KNOB, 1000-8 X 3/8" (CHROME PLATED)	1				
27	3695023	SCR., GUIDE LOCKING BAR	1				
28	3288012	HOLDER, GUIDE BAR	1				
29	3481004	MOUNTING PLATE, GUIDE BAR HOLDER	2				
30	6715033	SCR., HEX HD. CAP, 5/16-18 X 1/2"	4				
31	6626042	PIN, SPRING, 1/4 X 7/8" LG.	1				
32	3044047	BAR, GUIDE	1				
33	3701021	SHAFT, UPPER GUIDE MTG. (BACKUP BEARING)	1				
34	3598021	PLUG, BRASS, 1/4"	1				
35	6715133	SCR., THUMB, 5/16-18 X 1" (ZINC PLATED)	1				

MODEL 143 BAND SAW – DRIVE AREA



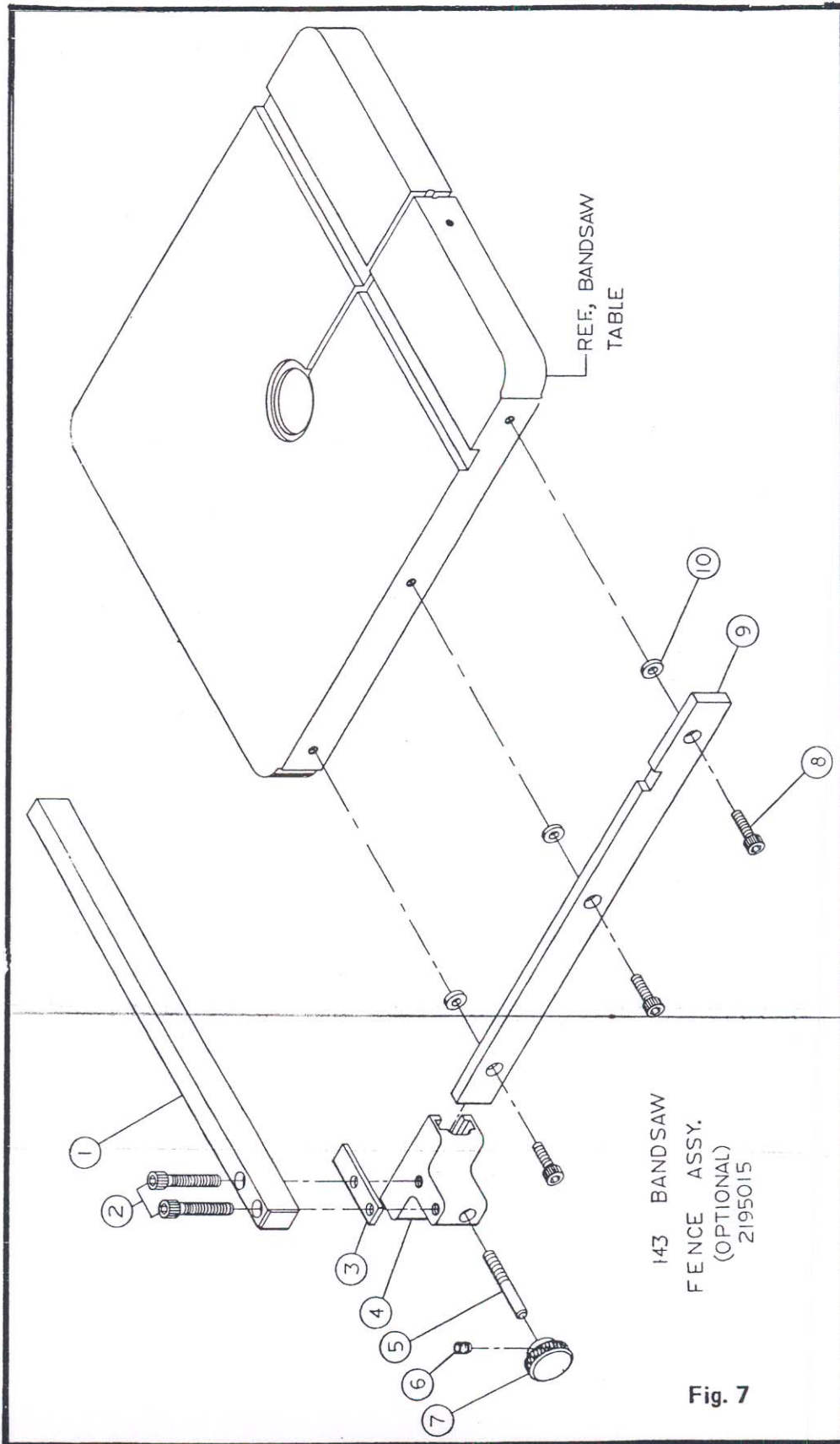
143 BANDSAW
DRIVE AREA
0340139

Fig. 5

MODEL 143 BAND SAW - DRIVE AREA

ITEM NO.	PART NO.	DESCRIPTION	QTY.	ITEM NO.	PART NO.	DESCRIPTION	QTY.
	2805007	TRANSMISSION ASSEMBLY (ITEMS 1 THRU 51)		57	6715013	SCR., SOC. SET, CUP PT., 5/16-18 X 3/8"	2
	2601007	PLUNGER ASSEMBLY, TRANSMISSION (ITEMS 1 THRU 4)		58	6807089	SHEAVE, STEP CONE, SCZ6 X 3/4" BORE	1
1	3406208	KNOB, PLUNGER, 1/4-20	1		2695017	LOCK ASSY., SCREW, COUNTER-SHAFT (ITEMS 59 THRU 61)	
2	3529012	NUT, FENCE STOP PLUNGER	1	59	3406016	KNOB	1
3	6813002	SPRING, J101	1	60	3268002	HANDLE, LOCKSCREW	1
4	3601209	PLUNGER, CLUTCH SHAFT HANDLE	1	61	3695011	SCREW, LOCK	1
	2298014	HOUSING ASSEMBLY, TRANSMISSION (ITEMS 5 THRU 8)		62	3838008	WASHER, LOCKSCREW SPACER	1
5	3298050	BOX, GEAR	1	63	6518001	NUT, HEX, 1/2-13	1
6	3800008	TOP, GEAR BOX	1	64	6861500	WASHER, LOCK, 1/2"	1
7	6715032	SCR., HEX HD. CAP, 5/16-18 X 1"	6	65	6718009	SCR., HEX HD. CAP, 1/2-13 X 1-1/4"	1
8	6626046	PIN, SPRING, 5/16 X 1-1/4"	2	66	6715044	SCR., HEX HD. CAP, 5/16-18 X 2"	4
	2709007	MAIN SHAFT ASSEMBLY (ITEMS 9 THRU 18)		67	6861200	WASHER, LOCK, 5/16"	4
9	2240003	GEAR ASSY., LOW SPEED IDLER	1	68	6807070	SHEAVE, STEP CONE, SCZ6 X 5/8" BORE	1
10	6060006	BEARING, SKF 63032RS	2	69	6715013	SCR., SOC. SET, CUP PT., 5/16-18 X 3/8" (FOR SHEAVE; NOT SHOWN)	1
11	3237019	GEAR, LOW SPEED MAIN	1	70	6077008	BELT, 4L-320	1
12	6064015	BEARING, THRUST RACE, TORRINGTON No. TRB1220	2	71	3388008	KEY, 3/16 X 3/16 X 1-1/2"	1
13	6063013	BEARING, TORRINGTON, IR1212 (INNER RACE)	1	72	6077022	BELT, 4L-500	1
14	6063014	BEARING, TORRINGTON, IR1216 (INNER RACE)	1	73	6807025	SHEAVE, AK22 X 5/8" BORE	1
15	6420001	KEY, WOODRUFF No. 606	2	74	6716039	SCR., HEX HD. CAP, 3/8-16 X 1-1/4"	4
16	3700013	SHAFT, MAIN	1	75	6861301	WASHER, FLAT, 3/8"	4
17	6715014	SCR., SOC. SET, CUP PT., 5/16-18 X 1/2"	1	76	6861300	WASHER, LOCK, 3/8"	4
18	3237018	GEAR, HIGH SPEED	1	77	6516001	NUT, HEX, 3/8-16	4
	2709008	SHAFT ASSEMBLY, WHEEL (ITEMS 19 THRU 31)		78	6470700	MOTOR, ELEC., 3/4HP, 1PH, 1800 RPM, 115/230V, 56 FRAME, TEFC	1
19	2240004	GEAR ASSY., FIRST IDLER	1		6470702	MOTOR, ELEC., 3/4HP, 3PH, 1800 RPM, 575V, 56 FRAME, TEFC	1
20	6060006	BEARING, SKF 63032RS	1		6470712	MOTOR, ELEC., 3/4HP, 3PH, 1800 RPM, 200V, 56 FRAME, TEFC	1
21	3741005	SPACER, WHEEL SHAFT	1				
22	6063013	BEARING, TORRINGTON, No. IR1212 (INNER RACE)	2				
23	3095004	CLUTCH, LOW SPEED	1				
24	6095078	BUSHING, PS-1000-64	2				
25	6063014	BEARING, TORRINGTON No. IR1216 (INNER RACE)	2				
26	6064015	BEARING, THRUST RACE, TORRINGTON No. TRB 1220	1				
27	3701028	SHAFT, WHEEL	1				
28	3095001	CLUTCH	1				
29	3095002	CLUTCH, HIGH SPEED	1				
30	3741004	SPACER, WHEEL SHAFT	1				
31	6060056	BEARING, MRC No. RBO12AZZ	1				
32	6670090	RING, RETAINING, 50008-187	1				
33	6714127	SCR., HEX HD. CAP, 1/4-20 X 1/2"	9				
34	3078019	CAP, BEARING, PLAIN	2				
35	3234232	GASKET, BEARING CAP	3				
36	3234208	GASKET, GEAR BOX	1				
37	6626042	PIN, SPRING, 1/4 X 7/8"	2				
38	6715050	SCR., FLAT HD. MACH., 5/16-18 X 1-1/4"	1				
39	6861200	WASHER, LOCK, 5/16"	1				
40	3216001	FORK, CLUTCH	1				
41	6715015	SCR., SOC. SET, CUP PT., 5/16-18 X 1/4"	2				
42	3268013	HANDLE, CLUTCH FORK	1				
43	3709005	SHAFT, CLUTCH FORK	1				
44	6638003	PLUG, PIPE, 3/8-18	2				
45	3598007	PLUG, GEAR BOX	1				
46	6861901	WASHER, NYLATRON E-12 (CLUTCH SHAFT)	2				
47	3096243	COLLAR	1				
48	6174000	CUP, OIL, 90° GITS No. 1207	1				
49	6634028	FITTING, PIPE, 3/8-18 ST. ELBOW	1				
50	3078018	CAP, BEARING, W/HOLE	1				
51	6605005	OIL, PEN-O-LED EP-2 (NOT SHOWN)	1qt.				
	2705013	COUNTERSHAFT ASSEMBLY (ITEMS 52 THRU 58)					
52	3705001	SHAFT, COUNTER	1				
53	3388016	KEY, 3/16 X 3/16 X 3-1/4"	1				
54	6060052	BEARING, MRC 204SZZG	2				
55	3298043	HOUSING, BEARING COUNTERSHAFT	1				
56	3716004	SHEAVE, AL74 X 3/4"	1				

MODEL 143 BAND SAW – FENCE ASSEMBLY



MODEL 143 BAND SAW – FENCE ASSEMBLY

ITEM NO.	PART NO.	DESCRIPTION	QTY.
	2195015	FENCE ASSEMBLY (COMPLETE)	
	2195005	FENCE ASSEMBLY (SUB) (ITEMS 1 THRU 7)	
1	3195005	FENCE, RIP	1
2	6715027	SCR., SOC. HD. CAP, 5/16–18 X 1-3/4	2
3	3722003	SHIM, MTG. BRACKET & FENCE	1
4	3063044	BRACKET, MTG., RIP FENCE	1
5	3695024	SCREW, LOCK, MTG. BRACKET	1
6	6714004	SCR., SOC. SET, KNURLED CUP PT., 1/4 X 20 X 1/4"	1
7	3406005	KNOB	1
8	6715024	SCR., SOC. HD. CAP, 5/16–18 X 5/8"	3
9	3044044	BAR, FENCE	1
10	3735002	SPACER, BAR & TABLE	3

MODEL 143 BAND SAW – MITER GAUGE ASSEMBLY
(OPTIONAL)

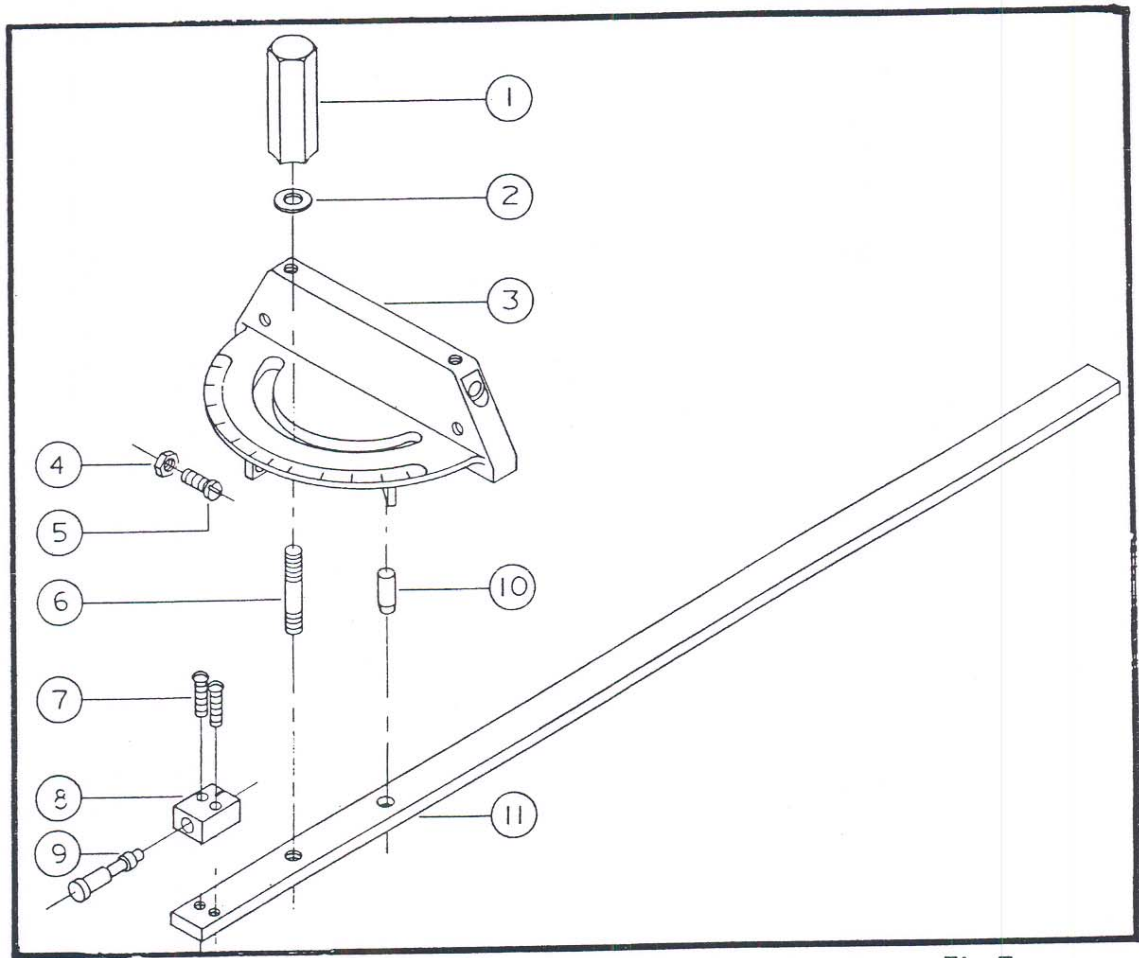


Fig. 7

MODEL 143 BAND SAW – STOP ROD ASSEMBLY
(OPTIONAL)

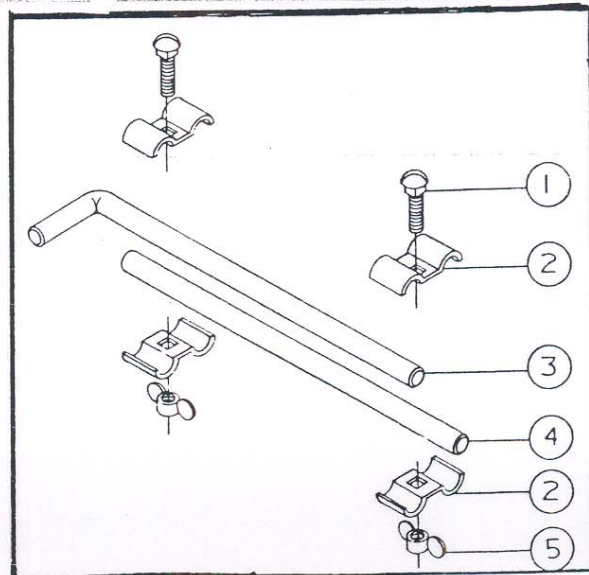


Fig. 8

MODEL 143 BAND SAW – MITER GAUGE ASSEMBLY

ITEM NO.	PART NO.	DESCRIPTION	QTY.
1	3268050	KNOB, MITER	1
2	6861101	WASHER, FLAT, 1/4"	1
3	3230007	GAUGE, MITER	1
4	6506003	NUT, HEX, 6-32 (PLATED)	3
5	6706094	SCR., RD. HD. MACH., 6-32 X 1/2"	3
6	3695220	SCREW, LOCK	1
7	6704041	SCR., RD. HD. MACH., 6-32 x 3/4"	2
8	3055101	BLOCK, POINTER	1
9	3582097	PIN, STOP	1
10	6623012	PIN, DOWEL, 1/4 X 1"	1
11	3044312	BAR, MITER, GAUGE	1

MODEL 143 BAND SAW – STOP ROD ASSEMBLY

ITEM NO.	PART NO.	DESCRIPTION	QTY.
1	6086000	BOLT, CARRIAGE, 10-24 X 3/4"	2
2	3092001	CLAMP	4
3	3670002	ROD, STOP (90° Bend)	1
4	3670003	ROD, STOP (STRAIGHT)	1
5	6510002	NUT, WING, 10-24 (ZINC PLATED)	1

Better By DesignTM
POWERMATIC[®] III
McMINNVILLE, TENNESSEE 37110 ☐ AC 615-473-5551

©STANWICH INDUSTRIES, INC.