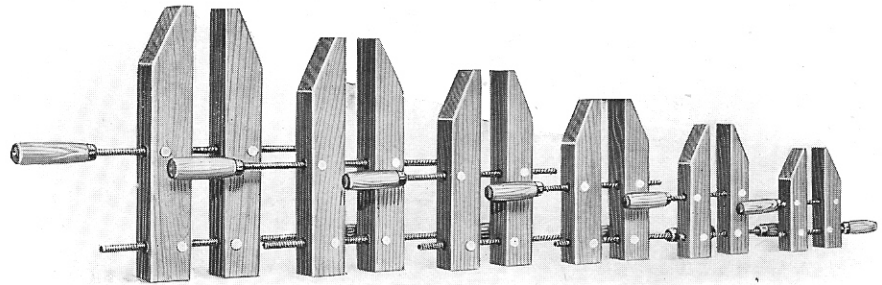


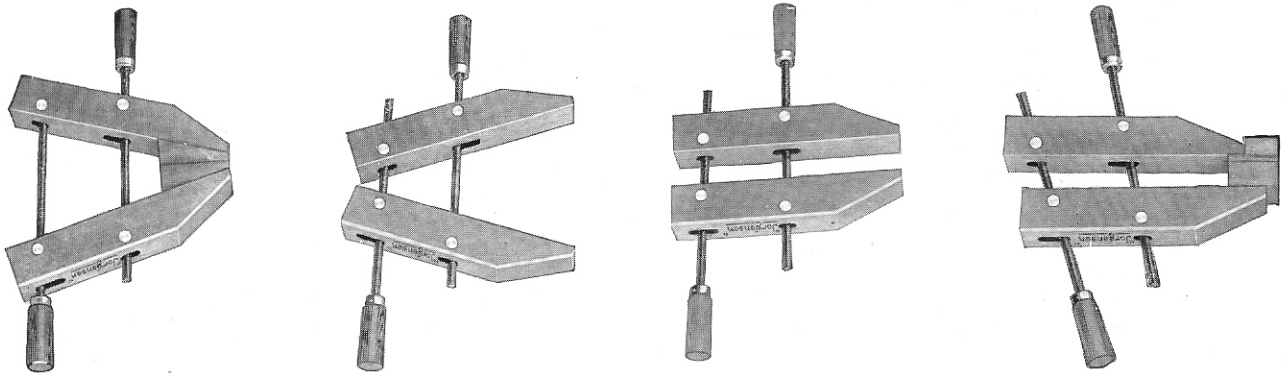


"Oliver" Hand Screws

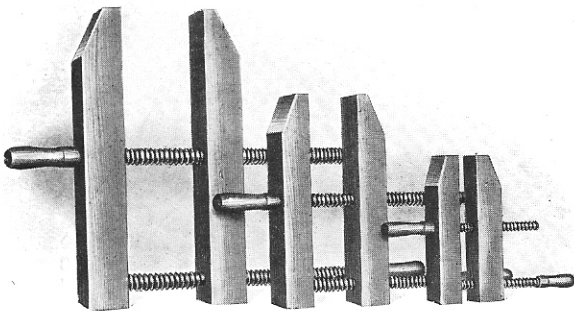
Three Different Kinds
All Useful Sizes



"OLIVER" STEEL SPINDLE HAND SCREWS
No. 900 Series



THE "PEERLESS" ADJUSTABLE SCREW CLAMPS
Jorgensen Patent. No. 80 Series.



"OLIVER" WOOD SPINDLE HAND SCREWS
No. 800 Series

Oliver Machinery Co.

Grand Rapids, Mich., U. S. A.

BRANCH OFFICES:

New York	Chicago	St. Louis	Los Angeles	San Francisco
Seattle	Salt Lake City	Denver	Phoenix	Manchester, Eng.

"OLIVER" PEERLESS ADJUSTABLE SCREW CLAMPS

Jorgensen Patent

The "Oliver" Peerless Adjustable Screw Clamps, Jorgensen Patent, are widely known, for their economy and efficiency have established them as standard in the leading industrial concerns as well as Government shops and educational institutions. Their superiority is evident at first sight, and the service which they have given their many users for several years substantiates the statement that "they are as good as they look."

1. They are about twice as rapid acting as any other clamp.
2. Their construction is simple.
3. They grip angular or straight work with equal facility.
4. One jaw can be made to overlap the other, forming an often desirable position.
5. They give a tighter grip with less effort.
6. Glue will not adhere to the spindles, causing the threads to strip.
7. Their parts are not liable to become separated.
8. Their design combines neatness and durability.
9. Guaranteed against breakage.

The jaws are made from a fine quality of selected straight grain hard kiln-dried maple. The spindles are of cold drawn steel with accurately cut double threads of special quick-acting type working in cold drawn steel nuts. The handles are made from hard wood protected by a strong ferrule, and secured by pins to the screws. The sockets for the spindles are also made of steel.

Code		Length of Jaws Inches	Jaws Open Inches	Crated Weight Pounds Per Doz.
Middy	No. 80—Peerless Screw Clamps, Jorgensen Patent.....	8	4½	33
Mighty	No. 81—Peerless Screw Clamps, Jorgensen Patent.....	10	6	43
Mignon	No. 82—Peerless Screw Clamps, Jorgensen Patent.....	12	8½	62
Mikado	No. 83—Peerless Screw Clamps, Jorgensen Patent.....	14	10	75
Mildew	No. 84—Peerless Screw Clamps, Jorgensen Patent.....	16	12	100
Militia	No. 85—Peerless Screw Clamps, Jorgensen Patent.....	18	14	118

"OLIVER" STEEL SPINDLE HAND SCREWS

Non-Adjustable

"Oliver" Non-Adjustable Steel Spindle Hand Screws are built of the same high grade materials and in the same workmanlike manner as our Peerless Screw Clamps. They have the steel nut and spindle with right and left thread retaining the speed and durability found in the Peerless Adjustable Screw Clamps. The slotted hole in the jaw thru which the spindle passes is eliminated, however, and in its place is a straight hole, thus keeping the jaws parallel at all times, giving the same solid effect while in use that is found in the wooden spindle hand screw, with the added feature that the steel spindles will not break.

Code	No.	Dia. Screw Inches	Length Screw Inches	Size of Jaw Inches	Length Jaw Inches	Open Inches	Crated Weight Pounds Per Doz.
Micta	904	¾	22	2½x2½	18	14	118
Mictab	906	¾	20	2¾x2¾	16	12	100
Mictic	908	¾	18	2½x2½	14	10	75
Mictof	910	½	16	1¾x1¾	12	8½	62
Mictug	912	¾	12	1½x1½	10	6	43

"OLIVER" WOOD SPINDLE HAND SCREWS

These are as strong as the sturdy hickory from which they are made. Spindles are made of well-seasoned second-growth hickory. Jaws are made from Michigan hard maple.

Code	No.	Diameter Screw Inches	Length Screw Inches	Length Jaw Inches	Size of Jaw Inches	Opens Inches	Crated Weight Lbs. Per Doz.
Mental	800	1¼	28	24	2⅞x2⅞	17	170
Mercury	802	1¼	24	20	2⅝x2⅝	13¾	135
Merino	804	1⅛	22	18	2½x2½	12¼	99
Merlon	806	1	20	16	2⅜x2⅜	11	89
Mesa	808	⅞	18	14	2⅛x2⅛	10	57
Meta	810	⅞	16	12	1⅞x1⅞	8½	40
Method	812	¾	12	10	1⅝x1⅝	5½	31
Mettle	814	⅝	8	7	1⅜x1⅜	3	15