

SETUP & OPERATION MANUAL

FEATURES

- Quick release combination riving style splitter and blade guard with anti-kickback pawls and a second European style riving knife also included.
- Powder coated, scratch resistant, high quality reinforced steel cabinet.
- Large, heavy-duty cast-iron handwheels for effortless blade adjustments.
- High-precision General "T" Fence System with 50" long guide rails, a melamine extension table and adjustable support legs ("Millenium Edition only").
- 2 miter gauge T-slots and deluxe cast-iron miter gauge.
- Magnetic 2-step safety switch to prevent unwanted or unintentional start-up is equipped with an extra-large easy access stop panel and a lock-out key to prevent unauthorized use of the saw.
- Powerful made in USA, totally enclosed, fan cooled industrial motor.
- Matching dual V-belt drive, on balanced cast-iron pulleys for smooth vibration-free running.
- Arbor mounted on heavy-duty, permanently lubricated, sealed ball-bearings.

SPECIFICATIONS

BLADE / ARBOR DIAMETER

10" (254 MM) / 5/8" (16 mm)

MAX. DEPTH OF CUT AT 90° / 45°

3 1/8" (79 mm) / 2 1/8" (54 mm)

ARBOR TILT RANGE

0° A 45°

MAX. RIP TO LEFT / RIGHT OF BLADE

12" (305 mm) / 50" (1270 mm)

MAXIMUM DADO WIDTH

13/16" (21 MM)

DISTANCE AHEAD OF BLADE

12 3/4" (324 MM)

TABLE SIZE (L x W x H)

28" X 36" X 34" (711 X 914 X 864 MM)

SIZE OF T-SLOTS

3/8" x 3/4" (10 x 19 mm)

ARBOR SPEED

4000 RPM

MOTOR

M2 3 HP, 230 V, 1 PH, 13.7 A

M3 3 HP, 230 V, 3 PH, 8.1 A

M4 3 HP, 208 V, 3 PH, 7.8 A

M5 3 HP, 600 V, 3 PH, 3 A

M6 3 HP, 440 V, 3 PH, 3.6 A

M25 5 HP, 230 V, 1 PH, 19.5 A

M35 5 HP, 230 V, 3 PH, 12 A

M45 5 HP, 208 V, 3 PH, 12 A

M55 5 HP, 600 V, 3 PH, 4.8 A

M65 5 HP, 440 V, 3 PH, 6 A

WEIGHT

495 LBS (225 KG)

10" TILTING ARBOR SAW - RIGHT TILT



MODEL #350R-T50



REVISION 3 - June 23/11

© Copyright General®MFG / General® International 06/2011



GENERAL® MFG (CO) LTD.

835, Cherrier Street, Drummondville (Quebec) Canada J2B 5A8
Telephone (514) 326-1161 • Fax (514) 326-5555 • www.general.ca

THANK YOU for choosing this General® model 350R-T50 10" Tilting Arbor Saw. This saw has been carefully tested and inspected before shipment and if properly used and maintained, will provide you with years of reliable service. To ensure optimum performance and trouble-free operation, and to get the most from your investment, please take the time to read this manual before assembling, installing and operating the unit.

The manual's purpose is to familiarize you with the safe operation, basic function, and features of this saw as well as the set-up, maintenance and identification of its parts and components. This manual is not intended as a substitute for formal woodworking instruction, nor to offer the user instruction in the craft of woodworking. If you are not sure about the safety of performing a certain operation or procedure, do not proceed until you can confirm, from knowledgeable and qualified sources, that it is safe to do so.

Once you've read through these instructions, keep this manual handy for future reference.

Disclaimer: The information and specifications in this manual pertain to the unit as it was supplied from the factory at the time of printing. Because we are committed to making constant improvements, General® reserves the right to make changes to components, parts or features of this unit as deemed necessary, without prior notice and without obligation to install any such changes on previously delivered units. Reasonable care is taken at the factory to ensure that the specifications and information in this manual corresponds with that of

the unit with which it was supplied. However, special orders and "after factory" modifications may render some or all information in this manual inapplicable to your machine. Further, as several generations of this model of saw and several versions of this manual may be in circulation, if you own an earlier or later version of this unit, this manual may not depict your machine exactly. If you have any doubts or questions contact your retailer or our support line with the model and serial number of your unit for clarification.

GENERAL® & GENERAL® INTERNATIONAL WARRANTY

All component parts of General®, General® International and Excalibur by General International® products are carefully inspected during all stages of production and each unit is thoroughly inspected upon completion of assembly.

Limited Lifetime Warranty

Because of our commitment to quality and customer satisfaction, General® and General® International agree to repair or replace any part or component which upon examination, proves to be defective in either workmanship or material to the original purchaser for the life of the tool. *However, the Limited Lifetime Warranty does not cover any product used for professional or commercial production purposes nor for industrial or educational applications. Such cases are covered by our Standard 2-year Limited Warranty only. The Limited Lifetime Warranty is also subject to the "Conditions and Exceptions" as listed below.*

Standard 2-Year Limited Warranty

All products not covered by our lifetime warranty including products used in commercial, industrial and educational applications are warranted for a period of 2 years (24 months) from the date of purchase. General® and General® International agree to repair or replace any part or component which upon examination, proves to be defective in either workmanship or material to the original purchaser during this 2-year warranty period, subject to the "conditions and exceptions" as listed below.

To file a Claim

To file a claim under our Standard 2-year Limited Warranty or under our Limited Lifetime Warranty, all defective parts, components or machinery must be returned freight or postage prepaid to General® International, or to a nearby distributor, repair center or other location designated by General® International. For further details call our service department at 1-888-949-1161 or your local distributor for assistance when filing your claim.

Along with the return of the product being claimed for warranty, a copy of the original proof of purchase and a "letter of claim" must be included (a warranty claim form can also be used and can be obtained, upon request, from General® International or an authorized distributor) clearly stating the model and serial number of the unit (if applicable) and including an explanation of the complaint or presumed defect in material or workmanship.

CONDITIONS AND EXCEPTIONS:

This coverage is extended to the original purchaser only. Prior warranty registration is not required but documented proof of purchase i.e. a copy of original sales invoice or receipt showing the date and location of the purchase as well as the purchase price paid, must be provided at the time of claim.

Warranty does not include failures, breakage or defects deemed after inspection by General® or General® International to have been directly or indirectly caused by or resulting from; improper use, or lack of or improper maintenance, misuse or abuse, negligence, accidents, damage in handling or transport, or normal wear and tear of any generally considered consumable parts or components.

Repairs made without the written consent of General® International will void all warranty.

TABLE OF CONTENTS

SAFETY RULES	5	Connecting to a dust collector	15
ELECTRICAL REQUIREMENTS	6	BASIC ADJUSTMENTS AND CONTROLS	15
Electrical connections	6	Connecting to a power source	15
Grounding instructions	6	ON / OFF magnetic power switch	15
Circuit capacity	6	Overload protection	16
Extension cords	6	Blade height adjustment	17
		Blade tilt (bevel) adjustment	17
IDENTIFICATION OF MAIN PARTS AND COMPONENTS	7	OPERATING INSTRUCTIONS	17
		Types of cuts	18
BASIC FUNCTIONS	8	Ripping	18
		Bevel ripping	18
UNPACKING	8	Ripping small work pieces	18
List of contents	8	Cross cutting	19
Additional requirements for set up	8	Bevel cross cutting	19
		Adjusting and using the miter gauge	19
PLACEMENT WITHIN THE SHOP / ESTABLISHING A SAFETY ZONE	9	Adjusting the miter gauge	19
		Adding an auxiliary fence to the miter gauge ..	20
		Miter cuts	20
		Compound miter cuts	20
		Using a dado head blade	21
CLEAN UP	9	MAINTENANCE	21
		Periodic maintenance	21
ASSEMBLY INSTRUCTIONS	10	Lubrication	22
Install and adjust rails and fence	10	Adjusting the 90 ° bevel stop	22
Attach the front fence rail	10	Adjusting the bevel angle pointer	22
Adjust the front rail height	10	Adjusting the 45 ° bevel stop	22
Attach the back fence rail	11		
Install and adjust riving knife	11	Recommended optional accessories	23
Select a riving knife	11		
Installation	11	Parts list and diagrams	24 - 29
Removal	12		
Adjustment / Alignment	12	Contact information	30
Setting the splitter/knife 90° to the table	12		
Setting the splitter/knife parallel to and centered on the blade	13		
Remove / Install a saw blade	13		
Remove a saw blade	13		
To install a saw blade	14		
Level the table insert	14		

RULES FOR SAFE OPERATION

To help ensure safe operation, please take a moment to learn the machine's applications and limitations, as well as potential hazards. General® MFG disclaims any real or implied warranty and holds itself harmless for any injury that may result from improper use of its equipment.

1. Do not operate the saw when tired, distracted, or under the effects of drugs, alcohol or any medication that impairs reflexes or alertness.
2. The working area should be well lit, clean and free of debris.
3. Keep children and visitors at a safe distance when the saw is in operation; do not permit them to operate the saw.
4. Childproof and tamper proof your shop and all machinery with locks, master electrical switches and switch keys, to prevent unauthorized or unsupervised use.
5. **Stay alert!** Give your work your undivided attention. Even a momentary distraction can lead to serious injury.
6. Fine particulate dust is a carcinogen that can be hazardous to health. Work in a well-ventilated area and whenever possible use a dust collector and wear eye, ear and respiratory protection devices.
7. Do not wear loose clothing, gloves, bracelets, necklaces or other jewelry while the saw is in operation. Wear protective hair covering to contain long hair and wear non-slip footwear.
8. Be sure that adjusting wrenches, tools, drinks and other clutter are removed from the machine and/or the feed table surface before operating.
9. Keep hands well away from the blade and all moving parts. Use a brush, not hands, to clear away chips and dust.
10. Be sure that the blade is securely installed and in proper cutting direction before operation.
11. Be sure the blade has gained full operating speed before beginning to cut.
12. Always use a clean, properly sharpened blade. Dirty or dull blades are unsafe and can lead to accidents.
13. If using a power feeder, stop the feeder before stopping the table saw.
14. Do not push or force stock into the blade. The saw will perform better and more safely when working at the rate for which it was designed.
15. Use suitable support when cutting stock that does not have a flat surface. Always hold stock firmly against the fence when ripping, or against the miter gauge when cross-cutting.
16. To minimize risk of injury in the event of workpiece kickback, never stand directly in-line with the blade or in the potential kickback path of the work piece.
17. Avoid working from awkward or off balance positions. Do not overreach while cutting; keep both feet on floor. Never lean over or reach over the blade and never pull the work piece over the blade from behind. Use out feed support or have an assistant help when ripping long material.
18. Keep blade guards in place and in working order. If a guard must be removed for maintenance or cleaning, be sure it is properly reattached before using the tool again.
19. Never leave the machine running with the power on when not in operation.
20. Use of parts and accessories NOT recommended by GENERAL® may result in equipment malfunction or risk of injury.
21. Never stand on machinery. Serious injury could result if the tool is tipped over or if the blade is unintentionally contacted.
22. Always disconnect tool from power before servicing or changing accessories such as blades, or before performing any maintenance, cleaning or adjustments, or if the machine will be left unattended.
23. Make sure that switch is in "OFF" position before plugging in the power cord.
24. Make sure the tool is properly grounded. If equipped with a 3-prong plug it should be used with a three-pole receptacle. Never remove the third prong.
25. Do not use this saw for other than its intended use. If used for other purposes, GENERAL® disclaims any real implied warranty and holds itself harmless for any injury, which may result from that use.



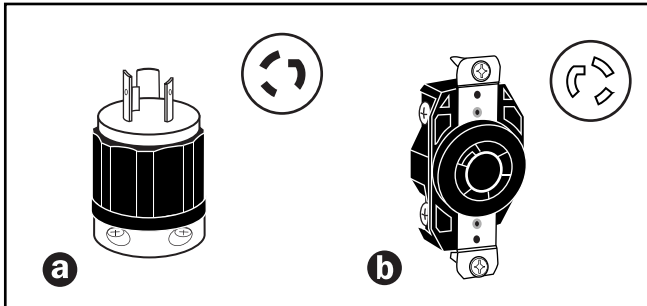
ELECTRICAL REQUIREMENTS



BEFORE CONNECTING THE MACHINE TO THE POWER SOURCE, VERIFY THAT THE VOLTAGE OF YOUR POWER SUPPLY CORRESPONDS WITH THE VOLTAGE SPECIFIED ON THE MOTOR I.D. NAMEPLATE. A POWER SOURCE WITH GREATER VOLTAGE THAN NEEDED CAN RESULT IN SERIOUS INJURY TO THE USER AS WELL AS DAMAGE TO THE MACHINE. IF IN DOUBT, CONTACT A QUALIFIED ELECTRICIAN BEFORE CONNECTING TO THE POWER SOURCE.

THIS TOOL IS FOR INDOOR USE ONLY. DO NOT EXPOSE TO RAIN OR USE IN WET OR DAMP LOCATIONS.

NOTE: VOLTAGE REQUIREMENTS AND AMPERAGE DRAW FOR M3, M4, M5, M6, M25, M35, M45, M55 and M65 MOTORS MAY NOT BE FULLY DESCRIBED IN THIS MANUAL. FOR COMPLETE ELECTRICAL REQUIREMENTS REFER TO THE MOTOR I.D. NAME PLATE ON THE MACHINE. IF IN DOUBT CONSULT A LICENSED QUALIFIED ELECTRICIAN BEFORE PROCEEDING.

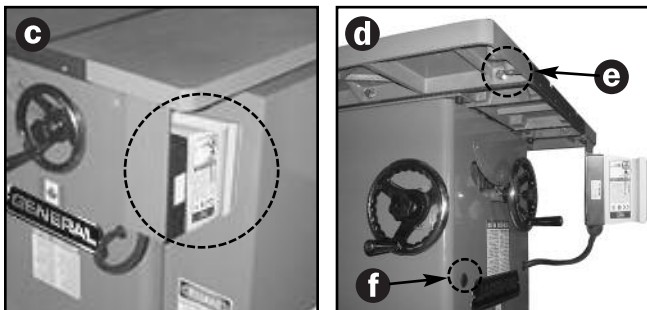


ELECTRICAL CONNECTIONS

Both a manual circuit breaker (or similar device) as well as an electrical plug are recommended and **should be installed by a qualified electrician**. Use locally approved wire that includes a separate grounding wire and a 3 prong grounding type plug (a) with a matching receptacle (b).

NOTE: To limit the potential for damage in transport, this saw is shipped from the factory with the switch facing inward (c). Before operating, the switch must be reinstalled facing outward (d).

For added convenience, based upon personal preference, a second mounting bracket (e) and a second hole in the base (f) (for the power cord) allows installation of the switch on the right side rather than the left side of the saw.



GROUNDING INSTRUCTIONS

In the event of an electrical malfunction or short circuit, grounding reduces the risk of electric shock to the operator. The motor of the "M2" model of this machine is wired for 230V single phase operation. As with many stationary industrial type machines, because each installation situation is unique, this table saw is supplied without a power cord or plug. The installation of an

appropriate power cord and plug must be performed by a qualified electrician. The machine must be connected to an electrical source using a power cord that has a grounding wire, which must also be properly connected to the grounding prong on the plug. The outlet must be properly installed and grounded and all electrical connections must be made in accordance with all local codes and regulations.

CIRCUIT CAPACITY

Make sure that the wires in your circuit are capable of handling the amperage draw from your machine, as well as any other machines that could be operating on the same circuit. If you are unsure, consult a qualified electrician. If the circuit breaker trips or the fuse blows regularly, your machine may be operating on a circuit that is close to its amperage draw capacity. However, if an unusual amperage draw does not exist and a power failure still occurs, contact a qualified technician or our service department.

EXTENSION CORDS

The use of an extension cord is not generally recommended for 230V equipment. If you find it necessary, use only 3-wire extension cords that have 3-prong grounding plug and a matching 3-pole receptacle that accepts the tool's plug. Repair or replace a damaged extension cord or plug immediately.

If you find it necessary to use an extension cord with your machine make sure the cord rating is suitable for the amperage listed on the motor I.D. plate. An undersized cord will cause a drop in line voltage resulting in loss of power and overheating. The accompanying chart shows the correct size extension cord to be used based on cord length and motor I.D. plate amp rating. If in doubt, use the next heavier gauge. The smaller the number, the heavier the gauge.

TABLE - MINIMUM GAUGE FOR CORD

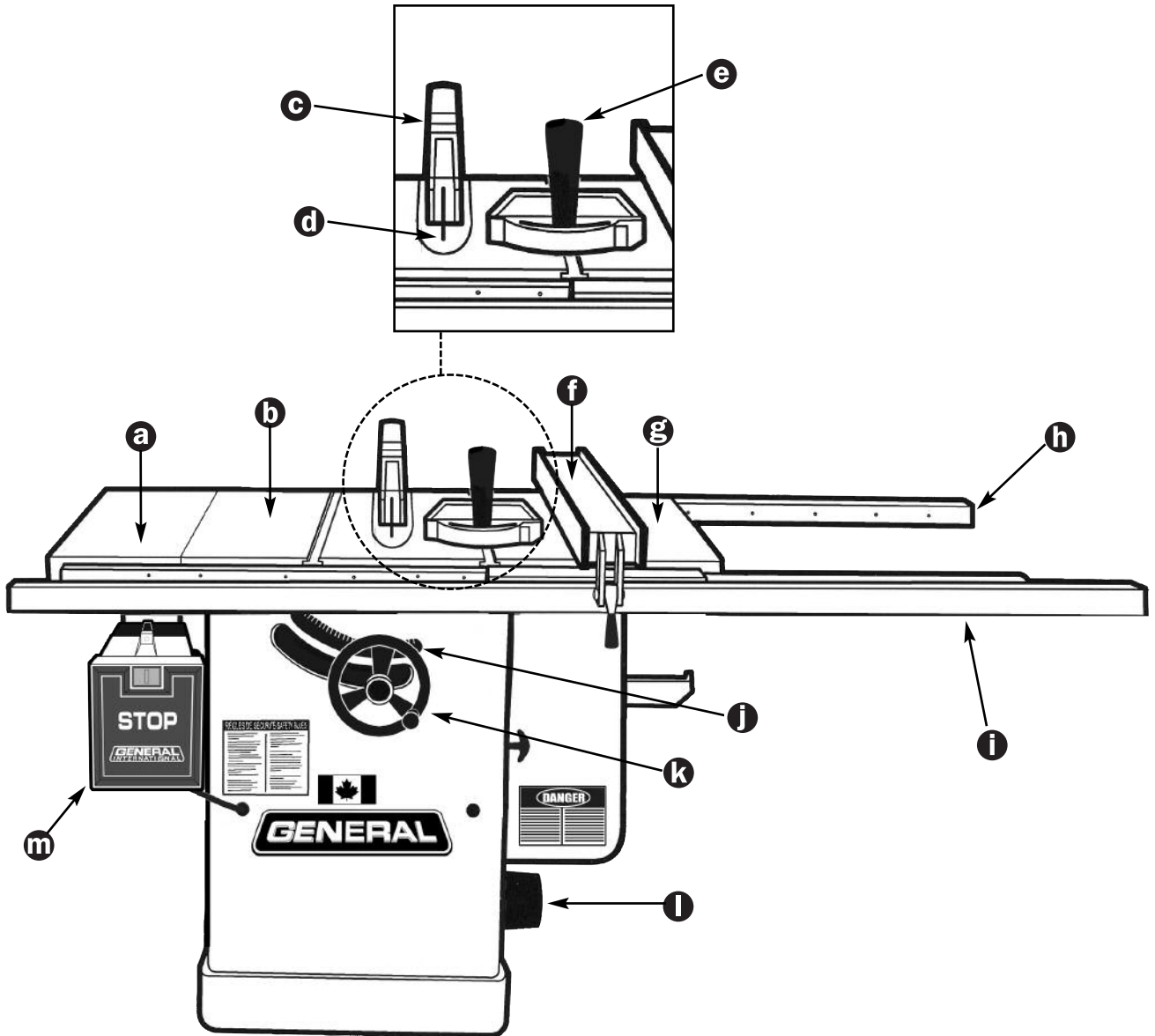
AMPERE RATING	TOTAL LENGTH OF CORD IN FEET			
	230 VOLTS	50 FEET	100 FEET	200+ FEET
	AWG			
< 5	----->	16	16	* NR
6 TO 10	----->	16	16	* NR
10 TO 12	----->	14	12	* NR
12 TO 16	----->	12	10	* NR

* NR = Not Recommended



10" TILTING ARBOR SAW – RIGHT TILT 350R-T50

IDENTIFICATION OF MAIN PARTS AND COMPONENTS



- a** LEFT TABLE EXTENSION
- b** MAIN TABLE
- c** BLADE GUARD AND SPLITTER ASSEMBLY
- d** TABLE INSERT
- e** MITER GAUGE
- f** FENCE
- g** RIGHT TABLE EXTENSION
- h** REAR RAIL
- i** FRONT RAIL
- j** BEVEL SCALE
- k** BLADE HEIGHT ADJUSTMENT HAND WHEEL
- l** DUST OUTLET
- m** MAGNETIC SAFETY SWITCH

BASIC FUNCTIONS

This cabinet saw has been designed for cutting solid wood as well as manufactured wood materials such as plywood, wood panelling, particleboard, mdf and other wood based by-products. This saw is not designed for cutting metals nor for cutting any materials other than wood or wood based stock.

This saw is designed for use with maximum 10" (254mm) diameter blades having a center hole diameter of 5/8". The blade can be raised to cut a maximum stock thickness of 3 1/8" with the blade set 90 degrees to the table. The blade can be tilted up to 45 degrees to the right for bevel cuts to a maximum stock thickness of 2 1/8". Using any standard aftermarket 8" diameter stacked dado blade set (not included), the maximum dado cutting capacity of this saw is 13/16". Note: for safer dado cutting, an optional dado table insert (part number # 350-3) can be purchased through your General® / General® International distributor.

To encourage safety through the proper use of either the supplied riving style splitter/blade guard assembly or the European style riving knife the 350R saw has been designed with a quick install/quick release feature allowing the user to install or remove either of these safety components in seconds.

UNPACKING

Carefully unpack and remove the saw from the crate. All other components and accessories are packed inside the saw cabinet. Check for damaged or missing items as per the list of contents below.

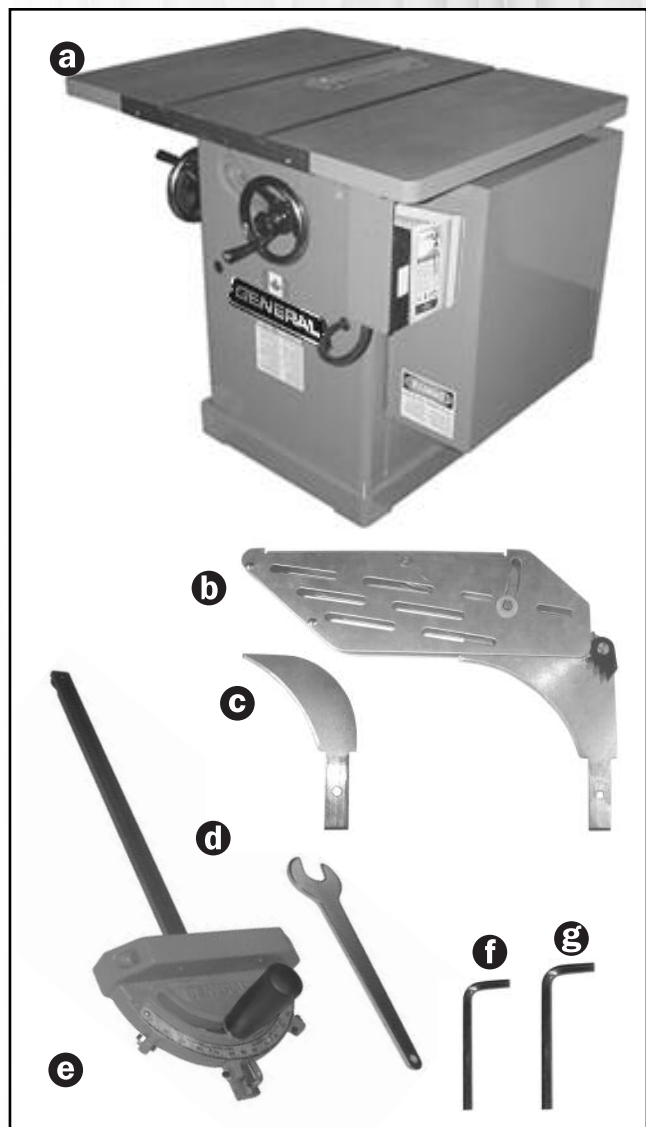
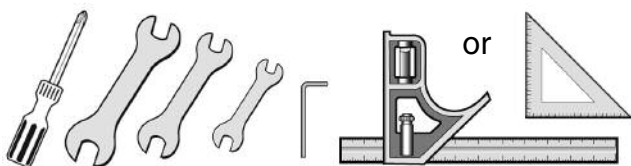
NOTE: Please report any damaged or missing items to your General® International distributor immediately.

LIST OF CONTENTS	QTY
Ⓐ SAW	1
Ⓑ SPLITTER /BLADE GUARD ASSEMBLY	1
Ⓒ EUROPEAN STYLE RIVING KNIFE	1
Ⓓ ARBOR WRENCH	1
Ⓔ MITER GAUGE	1
Ⓕ 3/32" ALLEN KEY	1
Ⓖ 5/32" ALLEN KEY	1

NOTE: F-42 rip fence and T-50 guide rails are packaged separately.

ADDITIONAL REQUIREMENTS FOR SET UP

- Phillips Screwdriver
- 1/2", 7/16" and 9/16" and open end wrench
- 1/8" Allen key
- Square



PLACEMENT WITHIN THE SHOP / ESTABLISHING A SAFETY ZONE



THIS MODEL 350R 10" TILTING ARBOR SAW IS VERY HEAVY. DO NOT OVER-EXERT. A HOIST OR FORKLIFT SHOULD BE USED TO LIFT THIS MACHINE.

TO LIMIT THE RISK OF SERIOUS INJURY OR DAMAGE TO THE MACHINE, ANY EQUIPMENT USED TO LIFT THIS MACHINE SHOULD HAVE A RATED CAPACITY IN EXCESS OF 495 LBS (225 KGS).

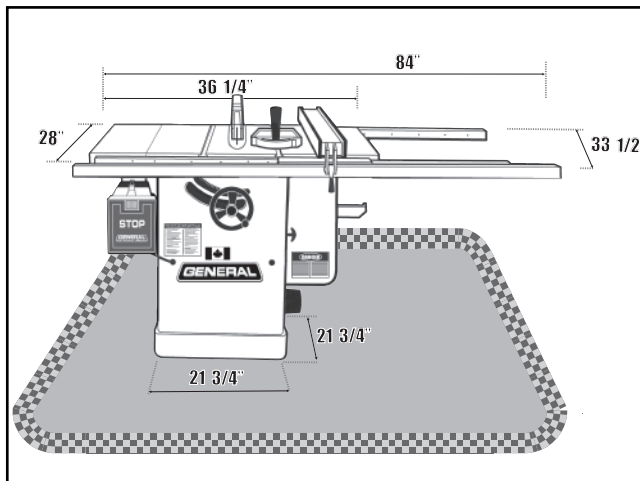
PLACEMENT WITHIN THE SHOP

This machine should be installed and operated only on a solid, flat and stable floor that is able to support the weight of the saw (495 lbs - 225 kgs) and the operator.

Using the dimensions shown beside as a guideline, plan for placement within your shop that will allow the operator to work unencumbered and unobstructed by foot traffic (either passing shop visitors or other shop workers) or other tools or machinery.

ESTABLISHING A SAFETY ZONE

For shops with frequent visitors or multiple operators, it is advisable to establish a safety zone around shop machinery. A clearly defined "no-go" zone on the floor around each machine can help avoid accidents that could cause injury to either the operator or the shop visitor. It is advisable to take a few moments to either paint (using non-slip paint) or using tape, define on the floor the limits or perimeter of each machines safety zone. Take steps to ensure that all operators and shop visitors are aware that these areas are off limits whenever a machine is running for everyone but the individual operating the unit.



CLEAN UP

The protective coating on the saw table prevents rust from forming during shipping and storage. Remove it by rubbing with a rag dipped in kerosene, mineral spirits or paint thinner. (Dispose of potentially flammable solvent-soaked rags according to manufacturer's safety recommendations.)

A putty knife, held flat to avoid scratching the surface, may also be used to scrape off the coating followed by clean-up with solvent. Avoid rubbing the saw's painted surfaces, as many solvent-based products will remove paint.

To prevent rust, apply a light coating of paste wax or use regular applications of any after-market surface protectant or rust inhibitor.



Tip: With a screw driver, push a solvent-saturated rag into the T-slots to remove the grease.

ASSEMBLY INSTRUCTIONS

For your convenience this saw is shipped from the factory partially assembled and requires only minimal assembly and set up before being put into service. The left and right table extension wings are factory installed and aligned and unless seriously shaken or jolted in transport should not require further alignment.

If purchased with the standard General "T" Fence System, a full installation and operating instructions manual for the fence system is supplied in the box with the "F-42" fence.

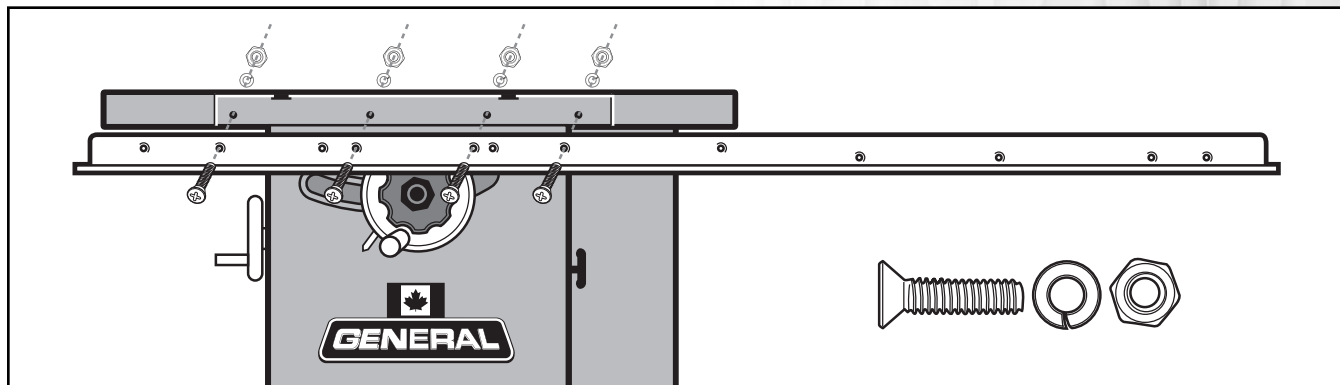
If purchased with the table board extension and support legs (Millennium Edition only) or if adding an aftermarket table board and legs, installation instructions can also be found in the "F-42" fence manual.



SERIOUS PERSONAL INJURY COULD OCCUR IF YOU CONNECT THE MACHINE TO THE POWER SOURCE BEFORE YOU HAVE COMPLETED THE INSTALLATION AND ASSEMBLY STEPS. DO NOT CONNECT THE MACHINE TO THE POWER SOURCE UNTIL INSTRUCTED TO DO SO.

INSTALL AND ADJUST RAILS AND FENCE

ATTACH THE FRONT FENCE RAIL TO YOUR SAW



Referring to the diagram above, place 4 flat head countersunk screws, lock washers and nuts to assemble the front rail to the front of the saw. But don't tighten the nuts yet.

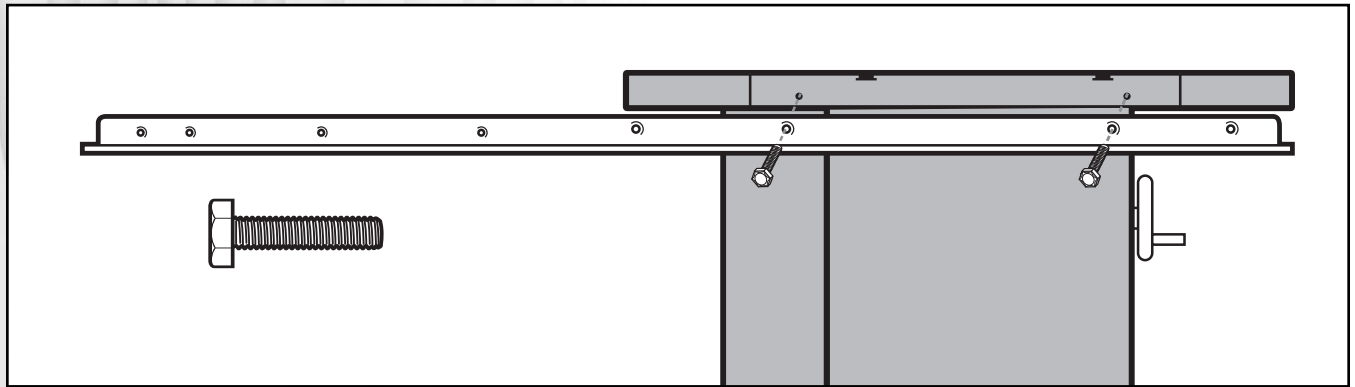
NOTE: The front rail, is the wider of the two rails and has holes in both faces.

ADJUST THE FRONT RAIL HEIGHT



Place the supplied L-jig on top of the table . Adjust the rail height until the bottom of the jig is flush with the rail shelf. Hold the nuts firm with a 7/16" wrench and tighten the two screws on left and right ends of the rail. Tighten the center screws only after double-checking rail height using the L-jig all along the rail and at both ends.

ATTACH THE BACK FENCE RAIL TO YOUR SAW



Referring to the diagram above, place hex. head bolts and where applicable lock washers and nuts to assemble the rear rail to the back of the saw.

INSTALL AND ALIGN THE FENCE

Proceed to fence installation and alignment as per the instructions provided in your "F42" fence manual.

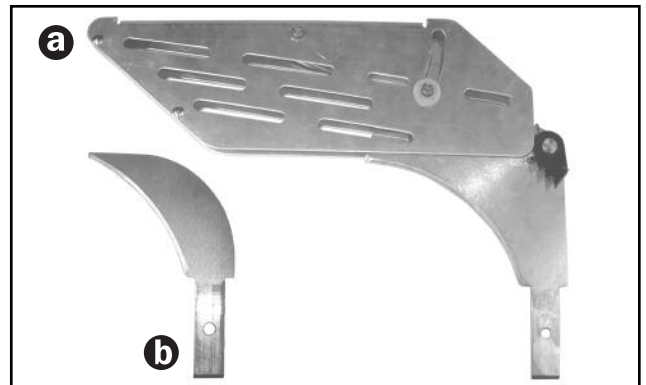
INSTALL AND ADJUST RIVING KNIFE

SELECT A RIVING KNIFE

Two riving knives are provided with this model 350R 10" tilting arbor saw:

- A combination riving style splitter and blade guard with anti-kickback pawls **a**;
- A European style riving knife without blade guard **b**.

The riving knife must always be used with a blade guard. If you already own an independently attached blade cover such as our Excalibur 50-EXBC10, use the riving knife **b**. If you do not already own a blade cover, use the splitter/blade guard assembly **a**.



The riving knife/blade guard **a** can be used with 9 3/4" to 10" maximum diameter blades.



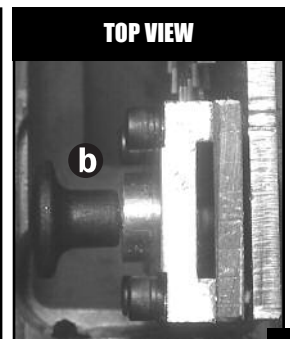
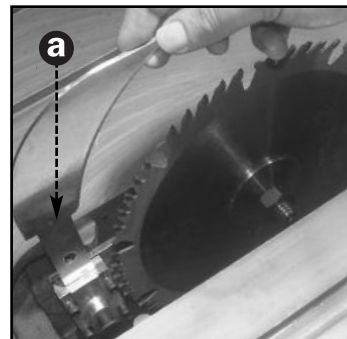
THE BLADE MUST NEVER REMAIN EXPOSED WHEN USING THE SAW. TO PREVENT THE RISK OF SERIOUS INJURIES, ALWAYS COVER THE BLADE WITH A BLADE COVER.

INSTALLATION

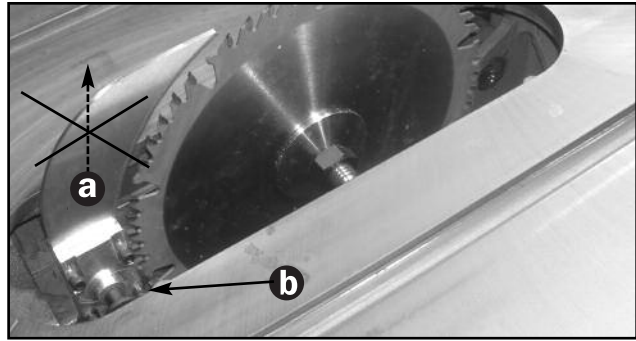


ALWAYS TURN OFF AND UNPLUG THE SAW BEFORE INSTALLING THE RIVING KNIFE.

1. Fit the bottom end of the riving knife or splitter into the slot in the mounting bracket **a** and push downward until it bottoms out and clicks into place on the locking pin **b**.



2. Test that the splitter/knife is locked into the housing by pulling straight up on the knife or splitter. If properly locked in its socket, the splitter should not come out **a** until the locking pin is released **b**.



REMOVAL

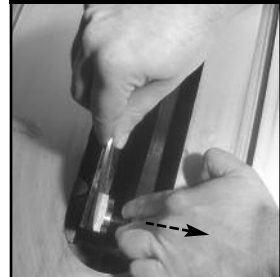


ALWAYS TURN OFF AND UNPLUG THE SAW BEFORE REMOVING THE RIVING KNIFE.

To remove the splitter/knife from its socket, pull the locking pin toward you and pull the splitter/knife up and out of its socket.



PLATE REMOVED ONLY FOR CLARITY



ADJUSTMENT / ALIGNMENT

The splitter/knife mounting bracket consists of: a rocker arm **a**, a spacer **b**, and a hold-down block **c**. This assembly is held together by four locking screws **d**. Both 90° to the table and parallel/centered to the blade alignments can be achieved by adjusting the four set screws **e**.

The locking screws **d** must first be loosened (with the 5/32 allen key provided) - 1/4 turn or more, depending upon how much adjustment is required, in order to be able to adjust the set screws **e**.

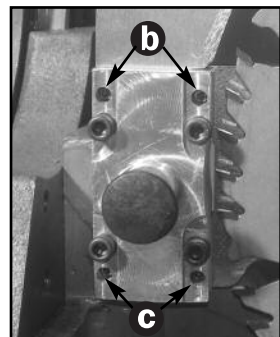
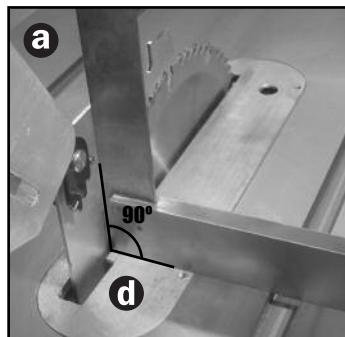
Tip: Tighten each locking screw immediately after adjusting its corresponding set screw to avoid undoing the previous adjustment



ALWAYS TURN OFF AND UNPLUG THE SAW BEFORE PERFORMING ANY ADJUSTMENTS.

SETTING THE SPLITTER/KNIFE 90° TO THE TABLE

1. With the blade set to 90° to the table, using a square, verify the perpendicular alignment of the splitter/knife to the table, **a**.
2. If needed, loosen or tighten (with the 3/32 allen key provided) the two upper **b** and/or lower **c** set screws on the splitter/knife mounting bracket, until the splitter/knife is 90° to the table **d**.



SETTING THE SPLITTER/KNIFE PARALLEL TO AND CENTERED ON THE BLADE

1. Place a straightedge against the splitter/knife **a**.
2. If needed, loosen or tighten one or both set screws on both right **b** and left **c** side of the splitter/knife mounting bracket until the splitter/knife is parallel to the blade **d**.
3. Use a feeler gauge to measure the clearance between the straightedge and the blade **e**. The width of the gap must be more or less the same on each side of the splitter/knife. If needed, re-adjust the set screws on both right and left side of the splitter/knife mounting bracket to increase or decrease the clearance between the straight edge and the blade.

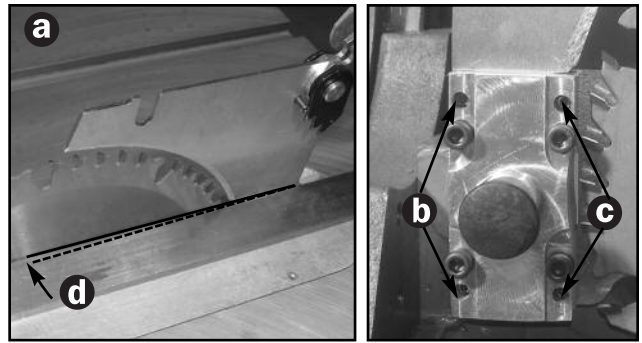


TABLE REMOVED FOR CLARITY ONLY



REMOVE / INSTALL A SAW BLADE

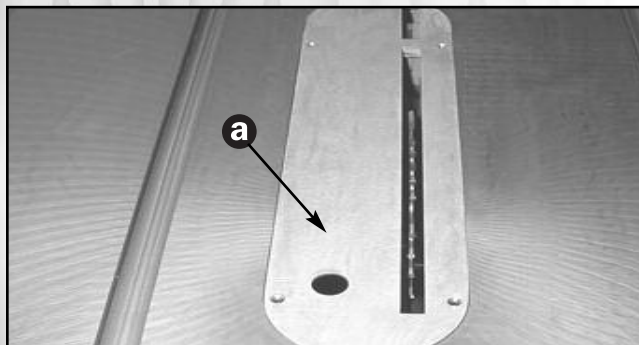
NOTE

This saw is intended for use with 10" (254 mm) diameter or less saw blades having a center hole diameter of 5/8". There are many types of blades available to perform specific cutting jobs, such as crosscuts or ripping only, or for use with plywood, panelling and other products. A good quality specialty blade can produce a finer finish, be more efficient and place less strain on the saw. Use only saw blades designed for use at a maximum operating speed of 6000 RPM or less. Saw blades should be kept clean and sharp. Never store saw blades by stacking them directly in contact with each other. Place a layer of cardboard or similar material between the blades to keep them from coming into contact with each other.

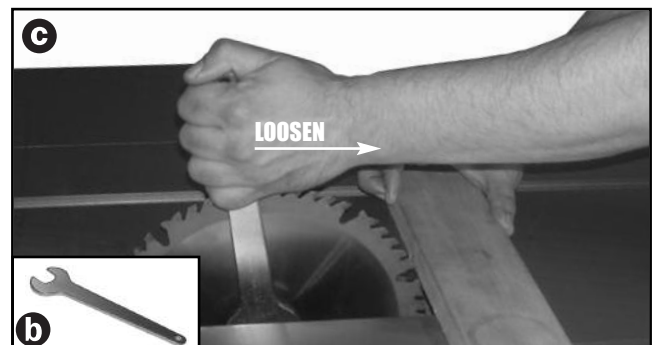


BE SURE THE SAW IS UNPLUGGED AND COMPLETELY DISCONNECTED FROM THE POWER SOURCE WHENEVER INSTALLING OR REMOVING A SAW BLADE!

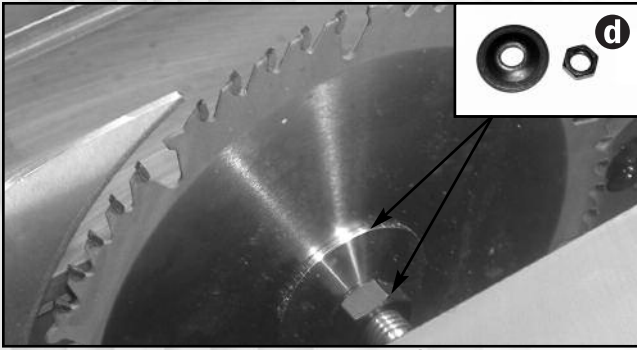
REMOVE A SAW BLADE



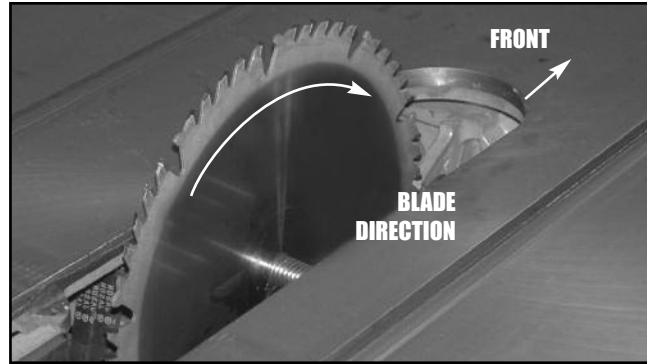
1. Remove the table insert **a**.



2. Holding the arbor with the arbor wrench provided **b**, wedge a block of wood between the teeth in front of the saw and pull the arbor wrench toward you or counter clockwise **c**.

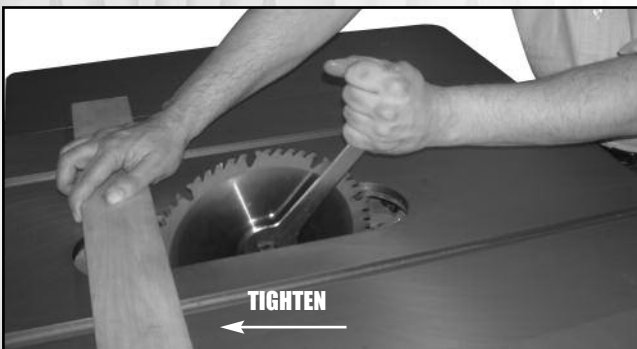


3. Remove the arbor nut & flange, **d**, then remove the blade.



TO INSTALL A SAW BLADE:

1. Install the blade on the arbor so that the openings between the teeth face the front of the saw (the blade spins in the clockwise direction).



2. Replace the flange and arbor nut. Holding the arbor with the arbor wrench provided, wedge a block of wood between the teeth at the rear of the saw and push the arbor wrench away from you or clockwise.
3. Re-install the table insert.

NOTE

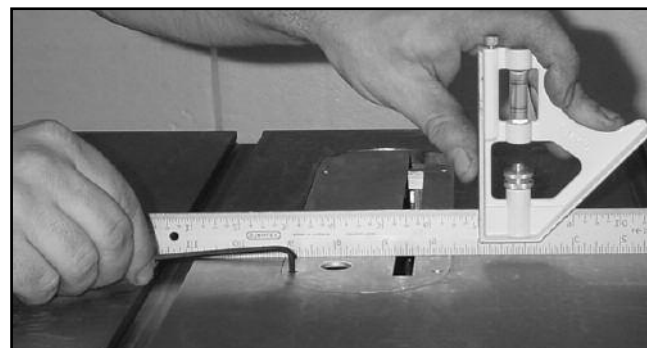
When tightening the arbor nut, take care not to over tighten as this will make it very difficult to remove later. Because the rotation of the blade runs counter to the direction of the threads on the nut, the blade is essentially tightening itself to the nut whenever the saw is running. Though there are no hard and fast rules for how much torque is required, the arbor nut should always be tightened firmly but without excess.

LEVEL THE TABLE INSERT

Use a straightedge to determine whether the insert is level with the table top. Turn each of the 4 adjusting screws with a 1/8" Allen key until done.

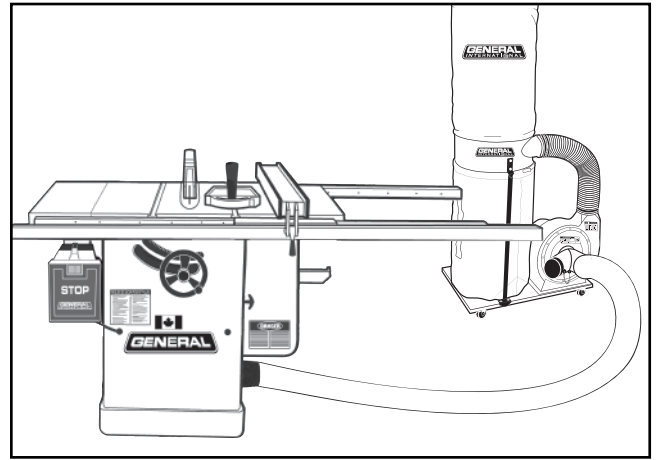
Suggestion: Start by adjusting one rear screw and its diagonal opposite in front, then tweak the remaining two screws.

Note: *If the sawblade has already been installed, use the raising handwheel to lower the blade below the table surface before leveling the insert.*



CONNECTING TO A DUST COLLECTOR

- There is a 4" dust outlet located on the lower right of the saw cabinet allowing for the connection to a dust collection system (not included).
- Be sure to use appropriate size hose and fittings (not included) and check that all connections are sealed tightly to minimize airborne dust.
- If you do not already own a dust collection system consider contacting your General® International distributor for information on our complete line of dust collection systems and accessories or visit our website at www.general.ca



ALWAYS TURN ON THE DUST COLLECTOR BEFORE STARTING THE SAW AND ALWAYS STOP THE SAW BEFORE TURNING OFF THE DUST COLLECTOR.

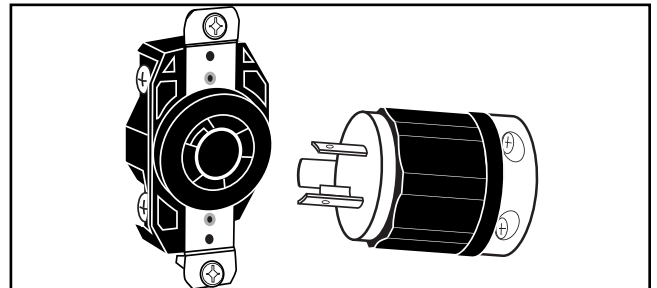
BASIC ADJUSTMENTS & CONTROLS

CONNECTING TO A POWER SOURCE



TO AVOID RISK OF SHOCK OR FIRE DO NOT OPERATE THE UNIT WITH A DAMAGED POWER CORD OR PLUG. REPLACE DAMAGED CORD OR PLUG IMMEDIATELY.

Once the assembly steps have been completed, plug the power cord into an appropriate outlet. Refer back to the section entitled "ELECTRICAL REQUIREMENTS" and make sure all requirements and grounding instructions are followed. When cutting operations have been completed unplug the saw from the power source.



ON/OFF MAGNETIC POWER SWITCH

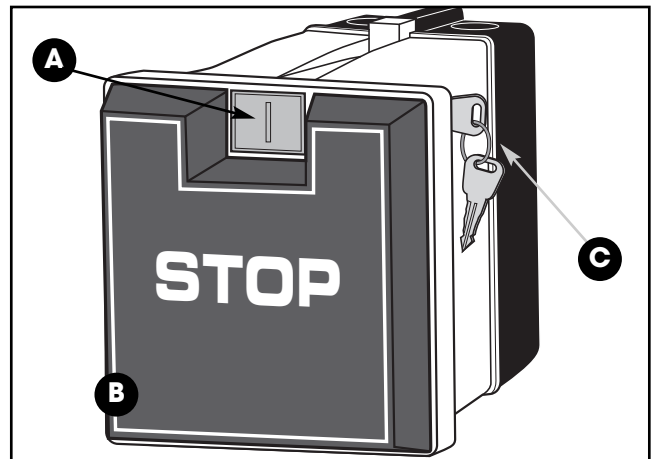
This model 350R is equipped with a Magnetic 2-step safety switch to prevent unwanted or unintentional start-up and unauthorized use of the saw.

The switch assembly is equipped with a GREEN "START" button **A**, an extra-large easy access RED stop panel **B**, and a lock-out key **C**.

To start the saw: Insert the lock-out key **C** and press on the GREEN "START" button **A**.

To stop the saw: Press on the RED "STOP" panel, **B**.

Once the RED "STOP" panel has been pressed, the saw can only be started by pressing once again on the RED "STOP" panel to release the green button, then by pressing on the green button.



TO PREVENT UNWANTED OR UNAUTHORIZED START-UP OR USAGE, REMOVE THE LOCK-OUT KEY AND STORE IT IN A SAFE PLACE, OUT OF THE REACH OF CHILDREN, WHENEVER THE SAW IS NOT IN USE.

OVERLOAD PROTECTION

The magnetic safety switch on this saw is equipped with an overload protection feature. To prevent an electrical overload from damaging the motor, in the event of a spike in line voltage or amperage draw, the internal overload protector will automatically be tripped, thereby cutting off power to the motor.

Note: The most common causes of such overloads are:

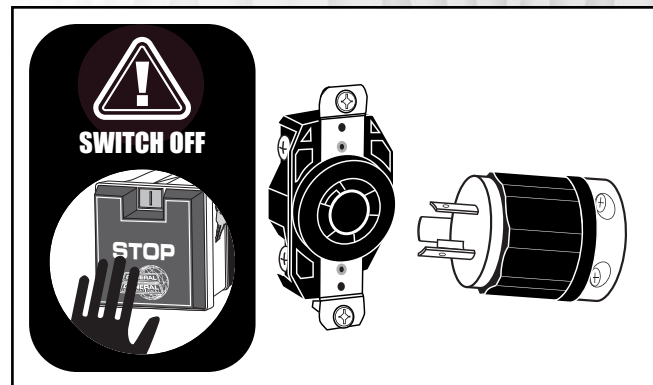
1. **Overworking the motor by attempting to feed thick dense workpiece material too quickly, thereby causing an increase in power consumption and a spike in amperage draw.**
2. **An electrical extension cord that is too long or not the correct gauge of wire, which can also cause an increase in amperage draw. If an electric extension cord must be used, follow the instructions and refer to the chart in the electrical requirements section at the beginning of this manual.**
3. **Overworked circuit caused by operating on a circuit that is close to its amperage draw capacity. Make sure the circuit being used is capable of handling the amperage draw from this machine as well as any other electrical devices operating on the same circuit. If you are unsure, consult a qualified electrician.**


To reset the overload protection switch after it has been tripped proceed as follows:

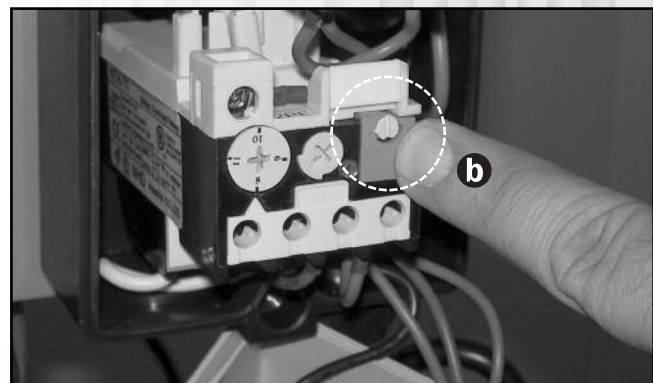
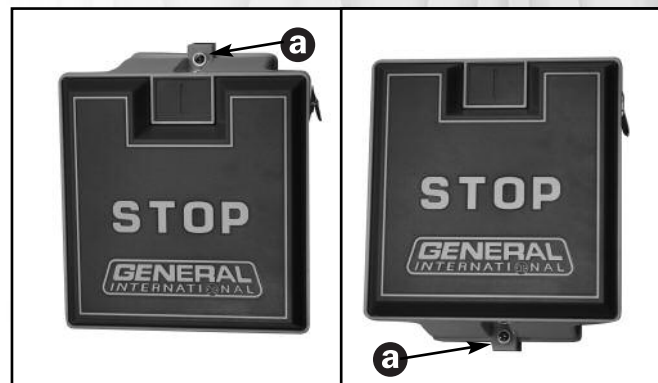
1. Set the power switch on the saw to the off position, and disconnect the machine from the power source.

Note: If the saw is permanently connected to a circuit (hard-wired), set the wall panel circuit breaker or main circuit interrupter to the off position.

2. Unscrew the 2 screws **a** and remove the control box front cover.
3. Press the blue reset button, **b**.
4. Reinstall the control box cover.
5. Reconnect the saw to the power source.
6. You can now resume cutting operations.



 **TO AVOID UNEXPECTED OR UNINTENTIONAL START-UP, MAKE SURE THAT THE POWER SWITCH ON THE SAW IS IN THE OFF POSITION BEFORE CONNECTING TO A POWER SOURCE.**

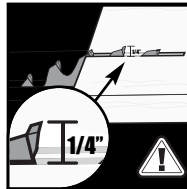
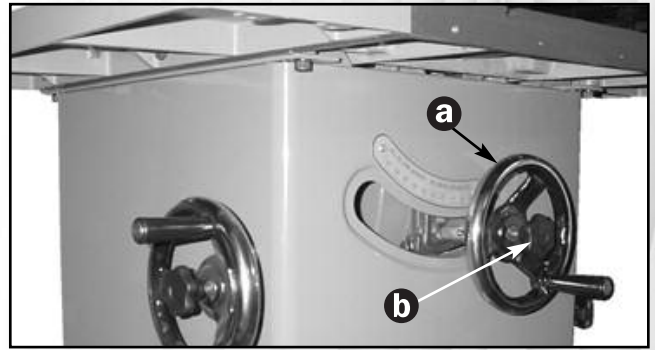


BLADE HEIGHT ADJUSTMENT

The blade height adjustment handwheel is located on the front of the saw, **a**, and there is a lock knob, **b**, on the handwheel that allows you to lock the wheel and secure the blade at the desired height.

To raise or lower the blade:

1. Loosen the blade height lock knob, **b**, by turning counter clockwise.
2. To raise the blade: turn the handwheel, **a**, clockwise. To lower the blade: turn the handwheel counter clockwise.
3. With the blade set to the desired height, tighten the lock knob, **b**, by turning clockwise to lock the blade.



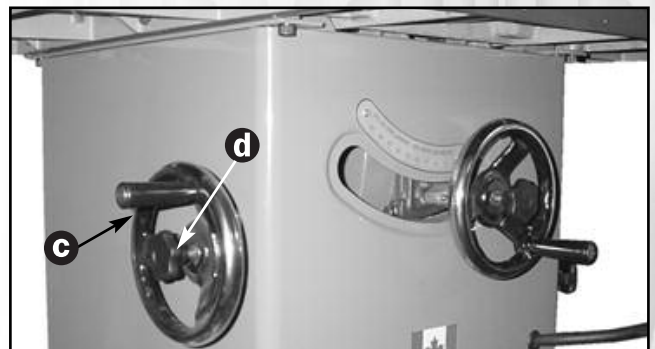
TO LIMIT YOUR EXPOSURE TO THE BLADE AND ALSO TO MAXIMISE THE EFFECTIVENESS OF THE ANTI-KICKBACK PAWLS (WHEN USING THE RIVING STYLE SPLITTER & BLADE GUARD), NEVER TAKE MORE BLADE HEIGHT THAN IS REQUIRED TO COMPLETE THE CUT. WHEN SETTING THE BLADE HEIGHT FOR THROUGH-CUTS (CUTS ALL THE WAY THROUGH THE THICKNESS OF A BOARD) SET THE HEIGHT OF THE BLADE TO ROUGHLY 1/4" HIGHER THAN THE THICKNESS OF THE BOARD.

BLADE TILT (BEVEL) ADJUSTMENT

The blade tilt (bevel) adjustment handwheel is located on the side of the saw, **c**. The bevel locking knob, **d**, is located on the handwheel and allows the user to lock the tilting mechanism and secure the blade at the desired angle.

To change the angle of the blade:

1. Loosen the bevel locking knob, **d**, by turning counter clockwise.
2. Turn the handwheel, **c**, left or right as required to set the blade to the desired angle. The blade can be tilted to the right anywhere from 0° (90° to the table) to 45°.
3. With the blade tilted to the desired angle, tighten the bevel locking knob, **d**, by turning clockwise to lock the tilting mechanism and secure the blade.



OPERATING INSTRUCTIONS



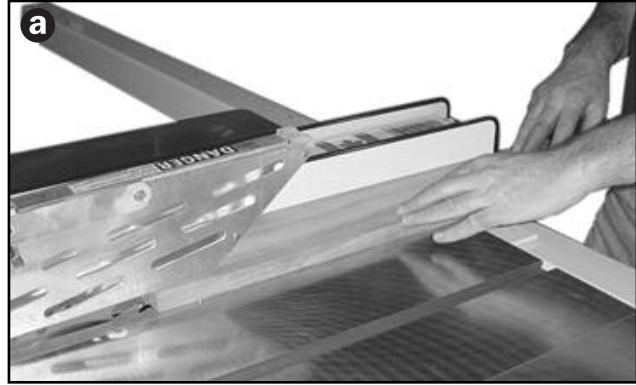
VERIFY ALL CHECK POINTS BEFORE STARTING. FAILURE TO COMPLY CAN RESULT IN SERIOUS INJURIES.

- Make sure that the arbor nut is secure and that the blade is firmly tightened snug on the arbor.
- Check that the blade angle and height lock knobs are tight.
- If ripping, make sure the fence lock lever is engaged and that the fence is parallel to the blade.
- If cross cutting, make sure the miter gauge is locked tight.
- While using the saw, be sure to wear safety glasses at all times.
- Make sure that the blade guard/splitter assembly is properly installed and aligned with the blade, and that the anti-kickback pawls are functioning.

TYPES OF CUTS

RIPPING

Cutting a wood plank or sheet of plywood lengthwise to reduce its width is called “ripping.” To rip stock, hold the work with both hands pushing it into the blade as well as firmly against the rip fence so that it is cut straight, **a**.



- The work to be cut must have a straight edge to ride the fence and must be flat to make solid contact with the table during the cut in order to avoid “kickback” (a blade jam causing the wood to fly backwards and hit you).
- Never rip or cut wood without using the fence or miter gauge to guide it because the stock could kickback.
- Always use the blade guard and splitter assembly when cutting wood. It has anti-kickback fingers and a splitter to prevent the saw “kerf” (the slit cut by the blade) from closing and binding the blade, which can overload and/or stall the motor or cause the blade to lift and eject the workpiece towards the front of the saw at very high speeds. The blade guard keeps your fingers away from the blade and also reduces the amount of saw dust flying free.
- Although certain operations require the removal of the blade guard and splitter assembly, it should always be replaced for regular cutting.
- Never stand in the line of the blade when ripping.
- Raise the saw blade only about 1/4” higher than the work to be cut.

As you complete the rip, the wood will either remain on the table, tilt up to be caught on the end of the guard, or fall onto the floor (or outfeed table). The waste part of the stock remains on the table to be removed only after the saw is stopped (unless it is large enough for immediate safe removal).

If the work to be ripped is narrow, it is safer to use a push stick, rather than the hands, to feed it into the blade, **b**. Push sticks with non-slip grippers can be purchased, but a shop-made one works just as well.



When ripping extremely narrow stock that may not clear the width of the blade guard, or very thin material such as paneling, which may slip between the underside of the fence and the table surface, a strip of wood as an auxiliary guide can be attached to the fence.



NEVER REACH IN TOWARDS THE BLADE WHILE THE BLADE IS STILL SPINNING! WHENEVER A RIP CUT IS COMPLETED, TURN OFF THE SAW AND WAIT FOR THE BLADE TO COME TO A COMPLETE STOP BEFORE REACHING IN TO REMOVE THE WORKPIECE OR THE WASTE MATERIAL.

BEVEL RIPPING

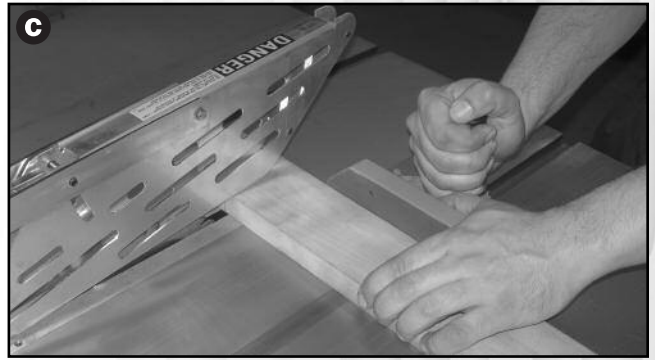
Bevel ripping is performed the same as ripping but with the saw blade set to an angle not perpendicular with the table surface. After changing the bevel angle verify the alignment of the guard and splitter; make sure there is clearance with the saw blade.

RIPPING SMALL WORK PIECES

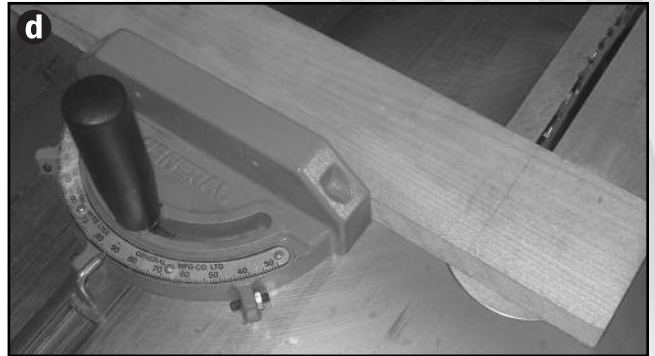
Do not attempt rip cuts if the work piece is too small, as this will oblige you to place your hands too close to the blade and put you at serious risk of injury. When ripping narrower widths; use a push block or a push stick in order to avoid placing hands near the blade.

CROSS CUTTING

Cutting against the grain, to shorten the length of a board is crosscutting. With some smaller-sized and rectangular pieces, you often have the choice of ripping or crosscutting. Always use the miter gauge, **c**, when crosscutting; never cut a piece unsupported. The miter gauge may be used in either slot, but most operators prefer the left groove for typical work. When the blade is tilted for bevel cutting, use the table slot that does not cause interference with your hand or the saw blade guard.



To begin crosscutting, place the work on the miter gauge and, with the motor OFF, slide it up close to the blade to align the outer edges of the teeth with your cut mark, **d**. Keep a firm grip as you pull the miter gauge and the wood back away from the blade. Lower the blade guard, turn on the saw and make the cut. When the work is cut through, move one or both cut pieces — if long enough to handle without danger — immediately off to the side, away from the turning blade. Turn off the motor.



BEVEL CROSS CUTTING

This procedure is the same as cross cutting except that the blade is set to an angle other than 0. After changing the bevel angle, verify the alignment of the guard and splitter and verify that there is clearance with the saw blade.

ADJUSTING AND USING THE MITER GAUGE

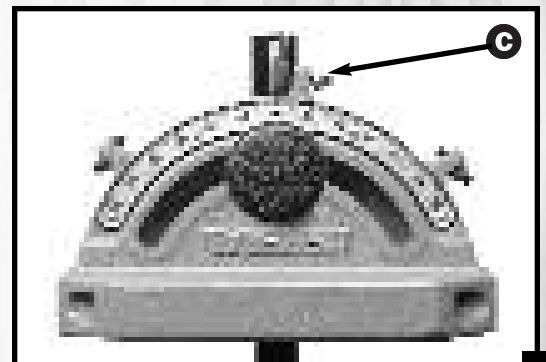
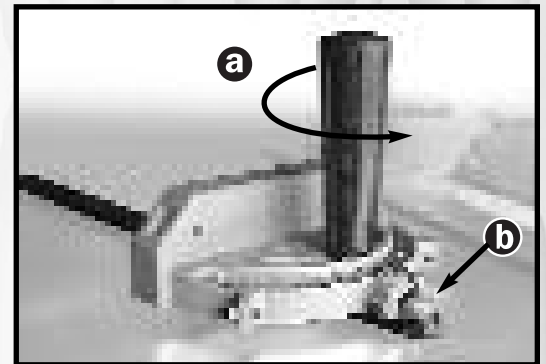
ADJUSTING THE MITER GAUGE

The miter gauge supplied with your saw has accurately adjusted index stops at 90° and 45° to the right and left, with a 30° maximum.

To use a setting other than 90°, loosen the lock knob, **a**, by turning it counter-clockwise, flip down the stop-lock tab, **b**, rotate the miter head to 45°, or any angle shown on the numerical guide. Turn the lock knob clockwise to tighten it.

To check the accuracy of the miter gauge's factory settings, set it at 90° and check it with an L-square or T-square. To verify the setting, make a test cut in scrap stock and then use a square to check the cut piece.

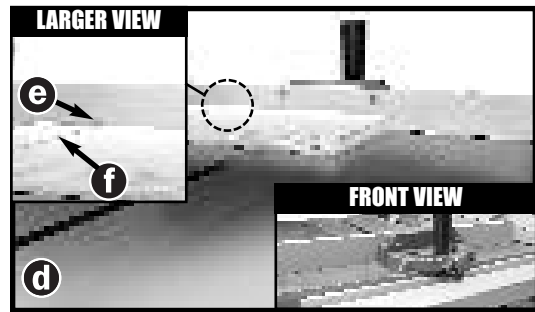
If the miter gauge needs adjusting, manually turn the head so the pointer is where you think it ought to be, tighten the lock knob and loosen the nut, **c**. Turn the adjusting screw until it touches the stop-lock tab. Tighten down the nut. Recheck the angle by making another test cut. Repeat, if necessary, until a true 90° is achieved.



ADDING AN AUXILIARY FENCE TO THE MITER GAUGE

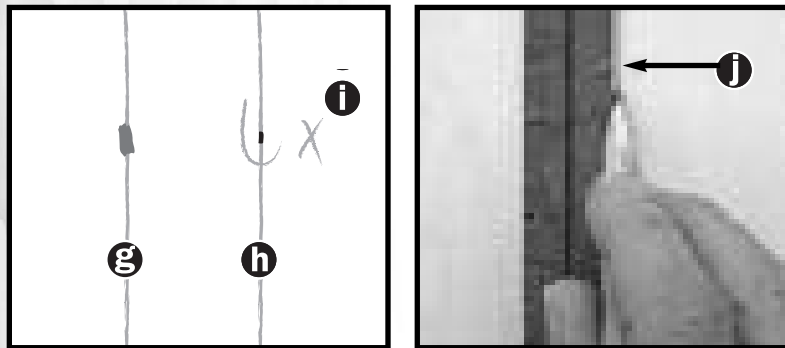
To ensure a true 90° crosscut, especially with longer pieces of wood that need more support than the narrow miter gauge head can provide, an auxiliary wood fence can be attached.

Make sure the wood for the fence is straight, not bowed. It should be about 2 inches wide and extend about 12 inches from either side of the miter head. Drill 2 holes in the wood corresponding to those on the miter head and use bolts and nuts to secure the wood fence to the head, **d**.



To use the miter gauge with an auxiliary fence, first notch the fence with the saw blade a bit higher than the workpiece, **e**. Measure and draw a cutline on your wood, **f**, then place it on the miter fence. Position your cutline against the notch. Turn on the saw, slide the work up until it is cut through (but don't cut off the fence).

Marking Wood. If you measure a cut for 24 inches, line up the blade on the waste side of the mark. Don't cut through the middle of the measurement line or you'll reduce your desired board length by half the width of the saw blade! For accurate work, don't mark your cut with a fat pencil line, **e**. A narrow dash, with a sharp pencil point is best, **d**. Encircle the dash so you'll find it again and add a small X to indicate the waste or cut-off side **i**. Pencils, like saw blades, have thickness. When squaring off from the cut mark, align your square to allow for pencil clearance, which will be about 1/16" away from the drawing edge of the square, **i**.



MITER CUTS

This operation is the same as cross cutting, except the miter gauge is set to an angle other than 0. Hold the work piece firmly against the miter gauge and feed the work piece slowly into the blade to prevent it from moving during the cut.



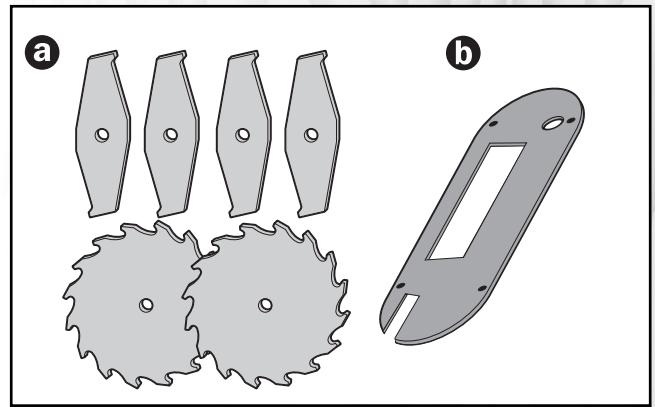
COMPOUND MITERING

This is a combination of bevel cross cutting and mitering. It is infrequently used. Follow instructions for both bevel cutting and mitering.

USING A DADO HEAD BLADE

Dadoing is cutting a “rabbet” or a wide groove into the work. A dado blade, **(a)**, (not supplied with your saw) usually consists of two outer blades and several interior cutters. These can be adjusted to cut grooves from 1/8” to 13/16” for making shelves, joints and tenoning. Set the blade’s width according to the instructions supplied with your dado blade.

After adjusting its width, mount the dado blade on your saw just like a regular blade. You’ll need an optional dado insert, **(b)**, (Item # 350-3) to replace the standard one that comes with your saw. Use the fence to line up the cut. The blade guard/splitter must be removed when dadoing. Never use the dado blade in a bevel position.



ALWAYS VERIFY THE DADO BLADE CLEARANCE BEFORE CONNECTING THE SAW TO THE POWER SOURCE. REATTACH THE GUARD AND VERIFY & ADJUST SPLITTER/RIVING KNIFE ALIGNMENT IF NEEDED. AFTER DADO CUT IS FINISHED, THE MAXIMUM DADO HEAD WIDTH FOR THIS SAW IS 13/16” AND THE MAXIMUM DADO BLADE DIAMETER IS 8”.

MAINTENANCE



MAKE SURE THE SAW HAS BEEN TURNED OFF AND UNPLUGGED FROM THE POWER SOURCE BEFORE PERFORMING ANY MAINTENANCE.

PERIODIC MAINTENANCE

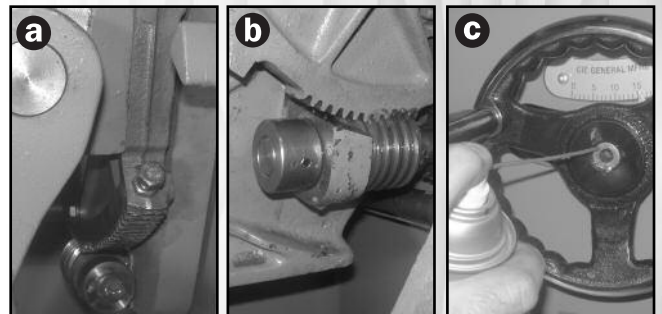
- Inspect/test the ON/OFF switch before each use. Do not operate the saw with a damaged switch - replace a damaged switch immediately
- Inspect the saw blade for damage or chipped teeth before each use. Replace a damaged or chipped blade immediately. Never operate the saw with a damaged or chipped blade
- Keep the saw table clean and free of dust, pitch or glue.
- An occasional light coating of paste wax can be used to protect the cast-iron surface. Ask our local distributor for suggestions on table top cleaners and cast-iron surface protection based on what is readily available in your area.
- Occasionally open the cabinet door and brush off and vacuum out accumulated dust from inside the cabinet and on the blade tilting gears and on or around the motor.
- Periodically inspect the power cord and plug for damage. To minimize the risk of electric shock or fire, never operate the saw with a damaged power cord or plug. Replace a damaged power cord or plug at the first sign of damage.
- To minimize airborne dust particles periodically inspect all dust collection fittings - re-tighten as needed.

LUBRICATION

Keep the blade tilt mechanism as well as the blade height adjustment mechanism well lubricated and free of dust or debris. Clean and remove dust, debris, and old lubricant as needed depending on frequency of use. After cleaning, reapply lubricant as needed.

Note: To lubricate the blade tilt mechanism **(a), apply a very light dab of any all-purpose grease (available at any hardware store).**

To lubricate the blade height adjustment mechanism **(b), loosen and remove the lock knob on the blade tilt adjustment hand wheel, then spray some dry lubricant into the hole **(c)**.**



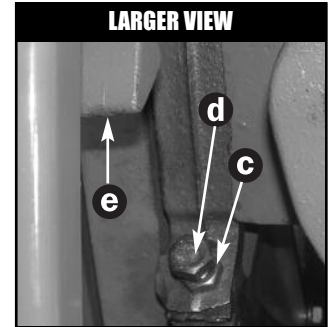
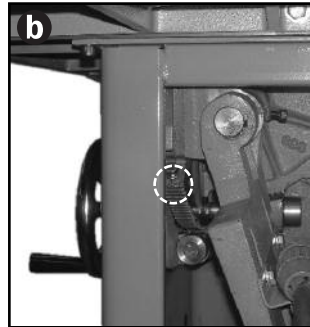
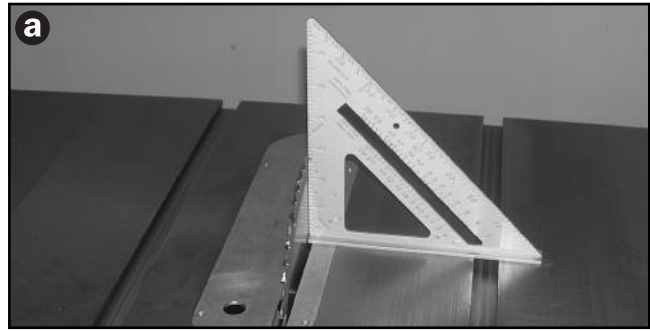
The motor and all bearings are sealed and permanently lubricated - no further lubrication is required. No other part of this table saw needs lubrication.

ADJUSTING THE 90° BEVEL STOP

1. Disconnect the machine from the power source.
2. Raise the blade to its highest position and lift the blade guard.
3. Loosen the bevel lock knob and turn the blade tilting handwheel clockwise until it stops.
4. Verify the 90° angle of the blade with a square from the right side of the blade **(a)**. Keep the square flat against the table and against the flat part of the blade - Do not touch the teeth of the blade.

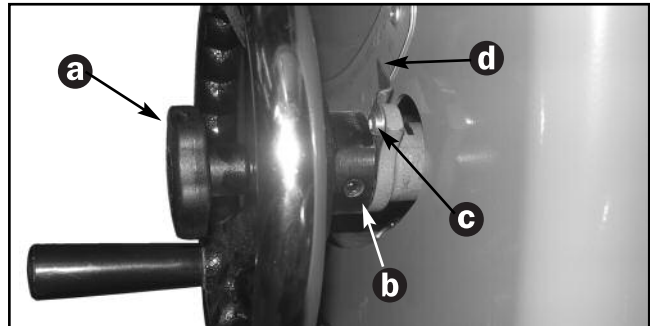
If the blade angle is incorrect, adjust the 90° stop screw, **(b)**, located inside the cabinet, on the right side of the saw. Proceed as follows:

5. Loosen the jam-nut **(c)** using a 1/2" open end wrench.
6. Adjust the height of the 90° stop screw, **(d)**, until the blade is 90° to the table when the 90° stop screw touches the stop **(e)**.
7. Re-tighten the jam-nut.



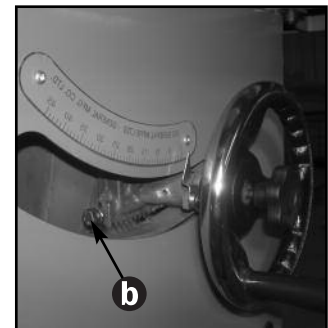
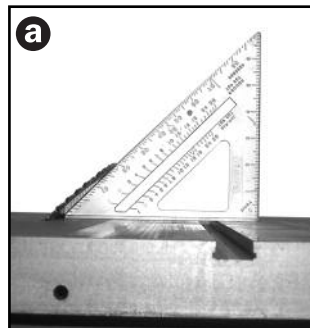
ADJUSTING THE BEVEL ANGLE POINTER

The bevel pointer should read "0" when the blade is at 90° to the table. If not, with the blade set 90° vertical to the table, remove the hand wheel by loosening the hand wheel lock knob **(a)** then loosening the set screw on the shaft of the hand wheel **(b)** with the 5/32" Allen key. Once the hand wheel has been removed, loosen the screw **(c)** on the pointer mounting bracket and manually align the pointer **(d)** with the zero on the bevel scale, then re-tighten the screw and re-attach the hand wheel.



ADJUSTING THE 45° BEVEL STOP

Verify the 45° setting by tilting the blade as far as possible to the left and using a square to check the angle **(a)**. If needed adjust as for the 90° stop, this time using the stop screw inside the cabinet, at the front of the saw **(b)**.



Notes

RECOMMENDED OPTIONAL ACCESSORIES

We offer a large variety of products to help you increase convenience, productivity, accuracy and safety when using your saw. Here's a small sampling of optional accessories available from your local General International dealer.

For more information about our products, please visit our website at www.general.ca



Excalibur by General International Osborne miter guide - #50-EB3

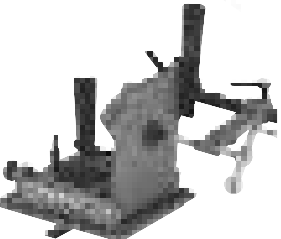
Quickly and easily finds any angle. Rock solid triangular design is reversible for use on either side of the blade.

Adjustable fence for tight blade clearance, telescoping fence extension and sliding flip up stop for accurate repeat cuts. A "must have" for any serious hobbyist.



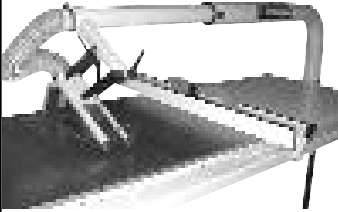
Micro-adjustment attachment for General T-Fence #50-055

Fits General MFG F-36 Home shop and F-42 Industrial T-Fence. Large, ergonomic adjustment handle. Easy to install clamp-on design and quick flip up magnetic engage/disengage. For precision fence adjustments - no more tapping the fence by hand.




Tenoning Jig #50-050

Solid cast iron. Fits left or right tilt saws for safe and accurate tenoning.




Excalibur by General International Overarm Blade Cover - With Dust Collection Capability - #50-EXBC10

Maximize dust collection efficiency with any dust collector without compromising safety. 4" main boom with 3" inner boom. Easy to install and simple to use. See-through blade cover with spring loaded swing arm raises and lowers to suit stock thickness. Unique design mounting bracket: pivots away or removes completely in seconds.



Dado insert #350-3

Fits right tilt model 350R only, for use with dado blades up to 13/16" maximum width.



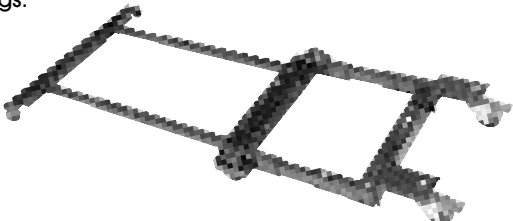
Zero Clearance insert #50-060

Eliminates space between the blade and insert to help reduce tear-out and airborne dust. Raise the blade through the insert and custom cut to your blade kerf.



Dust Collector

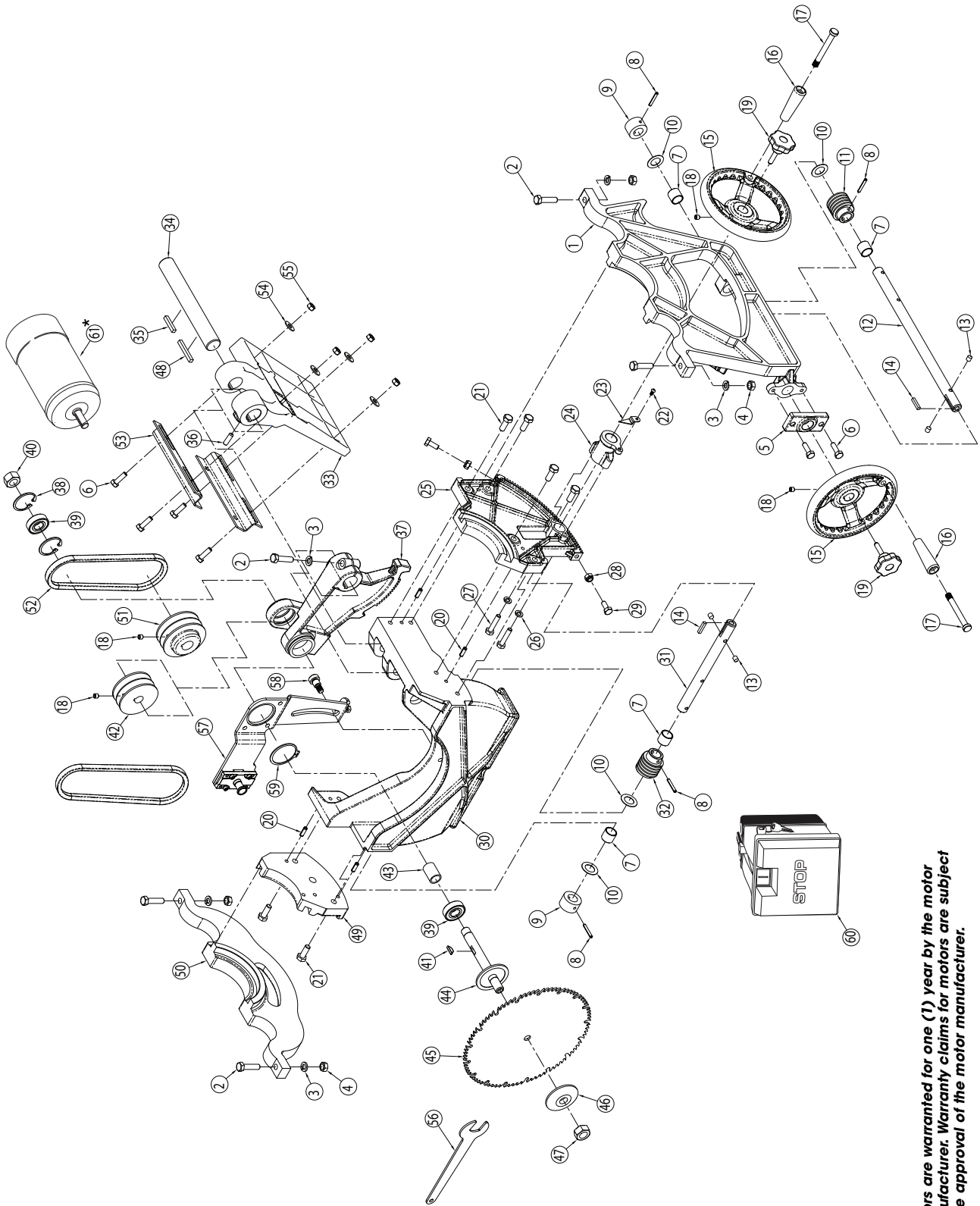
We have a wide selection of dust collectors to suit all your shop needs. Dust collectors contribute to a cleaner and more healthful workshop environment.



Heavy-Duty Mobile base for Table Saw # 50-030

900 lbs load capacity! Designed specifically for use with table saws that are equipped with extension tables & support legs.

MECHANISM



***Note: Motors are warranted for one (1) year by the motor manufacturer. Warranty claims for motors are subject to the approval of the motor manufacturer.**

**PARTS LIST
350R**

REF. NO.	PARTS NO.	DESCRIPTION	SPECIFICATION	QTY
1	354-1	FRONT TRUNION		1
2	P-6	HEX. HEAD BOLT	3/8-16 UNC X 1 1/2	5
3	P-15	LOCK WASHER	3/8"	5
4	P-17	NUT	3/8-16 UNC	4
5	354-11	FLANGE		1
6	P-99	HEX. HEAD BOLT	5/16" -18 UNC X 1"	8
7	P-70	COPPER BEARING	SS-2428-12	4
8	P-126	SPRING PIN	3/16" X 1 1/4"	4
9	354-6	COLLAR		2
10	P-77	FIBER WASHER	3/4 X 1 1/4 X 1/32	4
11	354-5	RIGHT GEAR		1
12	354-10	TILT SHAFT		1
13	354-13	GUIDE PIN		4
14	354-23	KEY		1
15	354-9SA	HANDWHEEL ASSEMBLY		2
16	P-332	HANDLE	354-14	2
17	354-15	HANDLE PIN		2
18	P-7	ALLEN SET SCREW	5/16-18 UNC X 5/16"	4
19	354-12SA	LOCK KNOB ASSEMBLED		2
20	P-111	SPRING PIN	1/4 X 3/4	4
21	P-35	HEX. HEAD BOLT	3/8"-16 UNC X 1"	6
22	P-116	TAPPING-SCREW	8-32 UNC X 3/8	1
23	354-17	POINTER		1
24	354-8	MAIN BEARING		1
25	354-2	FRONT TILT TRUNNION		1
26	P-135	LOCK WASHER	5/16"	4
27	P-305	HEX. HEAD BOLT	5/16"-18 UNC X 1 1/2"	2
28	P-51	LOCK NUT	5/16-18 UNC	2
29	P-100	HEX. HEAD BOLT	5/16"-18 UNC X 3/4"	2
30	354	CHUTE		1
31	354-7	ELEVATING SHAFT		1
32	554-23	LEFT WORM		1
33	354-19A	MOTOR BASE		1
34	354-20	PIN		1
35	354-21	KEY		1
36	P-304	HEXAGONAL SOCKET HEAD CAP SCREW	5/16-18 UNC X 1"	1
37	353	ARBOR BRACKET		1
38	P-108	SNAP RING	N-1308-168	2
39	P-279	BEARING	6203-2RS	2
40	P-106	HEXAGONAL LOCK NUT	5/8-18 UNC	1
41	P-4	WOODRUFF KEY	#9-3/16" X 3/4"	1
42	353-3	ARBOR PULLEY		1
43	353-5B	LARGE SPACER		1
44	353-1ASS	ARBOR WITH FLANGE AND NUT		1
45	P-1029	CARBIDE COMBINATION BLADE	9.840" - 50 TEETH	1
46	353-2	CURVED WASHER		1
47	353-6	ARBOR NUT (LEFT-HAND THREAD)	5/8-10 ACME 29 DEGREES	1
48	354-22	KEY		1
49	354-3	REAR TILT TRUNNION		1
50	354-4	REAR TRUNION		1
51	353-8	MOTOR PULLEY (STANDARD)	7/8"	1
52	P-109	BELT (3 HP)	A-21 23" LONG	2
52	P-1197	BELT (5 HP)	A-22	2
53	354-24	MOTOR SPACER		2
54	P-1084	FLAT WASHER	5/16"	4
55	P-182	NUT	5/16-18 UNC	4
56	353-7	ARBOR WRENCH		1
57	357	MOUNTING BRACKET ASSEMBLY (350R)		1
58	P1717	SHOULDER BOLT	3/8-06 UNCX1/2 X 1/2	1
59	P-308	OUTER HOLD-DOWN RING	SERIE R3100-200	1

MECHANISM

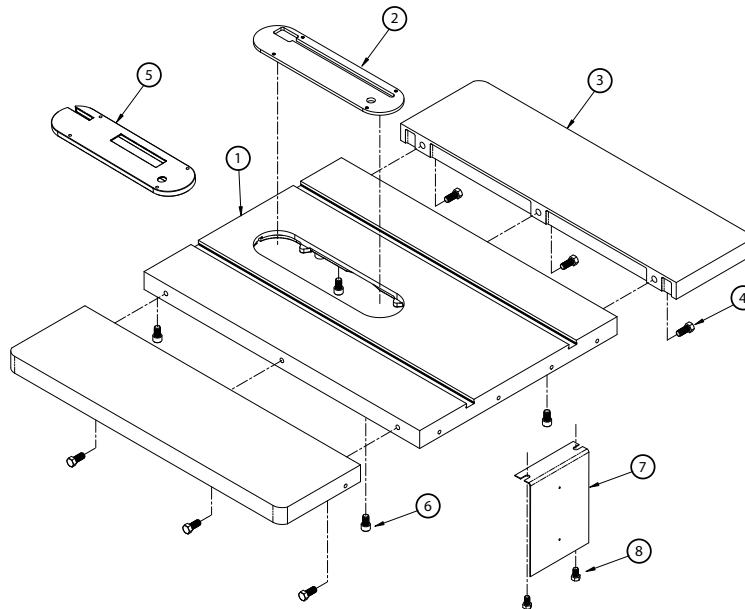
PARTS LIST

MECHANISM

REF. NO.	PART NO.	DESCRIPTION	SPECIFICATION	QTY
60	85-240	MAGNETIC SAFETY SWITCH (230 V, 1 PH, 13.7 A)	FOR M2 MOTOR	1
	85-255	MAGNETIC SAFETY SWITCH (230 V, 3 PH, 8.1 A)	FOR M3 MOTOR	1
	85-255	MAGNETIC SAFETY SWITCH (208 V, 3 PH, 7.8 A)	FOR M4 MOTOR	1
	85-610	MAGNETIC SAFETY SWITCH (600 V, 3 PH, 3 A)	FOR M5 MOTOR	1
	-	MAGNETIC SAFETY SWITCH (440 V, 3 PH, 3.6)	FOR M6 MOTOR	1
	85-285	MAGNETIC SAFETY SWITCH (230 V, 1 PH, 19.5 A)	FOR M25 MOTOR	1
	85-255	MAGNETIC SAFETY SWITCH (230 V, 3 PH, 12 A)	FORM 35 MOTOR	1
	85-255	MAGNETIC SAFETY SWITCH (208 V, 3 PH, 12 A)	FOR M45 MOTOR	1
	85-620	MAGNETIC SAFETY SWITCH (600 V, 3 PH, 4.8 A)	FOR M55 MOTOR	1
	-	MAGNETIC SAFETY SWITCH (440 V, 3 PH, 6 A)	FOR M65 MOTOR	1
61	M-100*	MOTOR (M2)	3 HP, 230 V, 1 PH, 13.7 A	1
	M-106*	MOTOR (M3)	3 HP, 230 V, 3 PH, 8.1 A	1
	M-106*	MOTOR (M4)	3 HP, 208 V, 3 PH, 7.8 A	1
	M-107*	MOTOR (M5)	3 HP, 600 V, 3 PH, 3 A	1
	M-106*	MOTOR (M6)	3 HP, 440 V, 3 PH, 3.6 A	1
	M-165*	MOTOR (M25)	5 HP, 230 V, 1 PH, 19.5 A	1
	M-166*	MOTOR (M35)	5 HP, 230 V, 3 PH, 12 A	1
	M-166*	MOTOR (M45)	5 HP, 208 V, 3 PH, 12 A	1
	M-167*	MOTOR (M55)	5 HP, 600 V, 3 PH, 4.8 A	1
	M-166*	MOTOR (M65)	5 HP, 440 V, 3 PH, 6 A	1

**Note: Motors are warranted for one (1) year by the motor manufacturer. Warranty claims for motors are subject to the approval of the motor manufacturer.*

TABLE

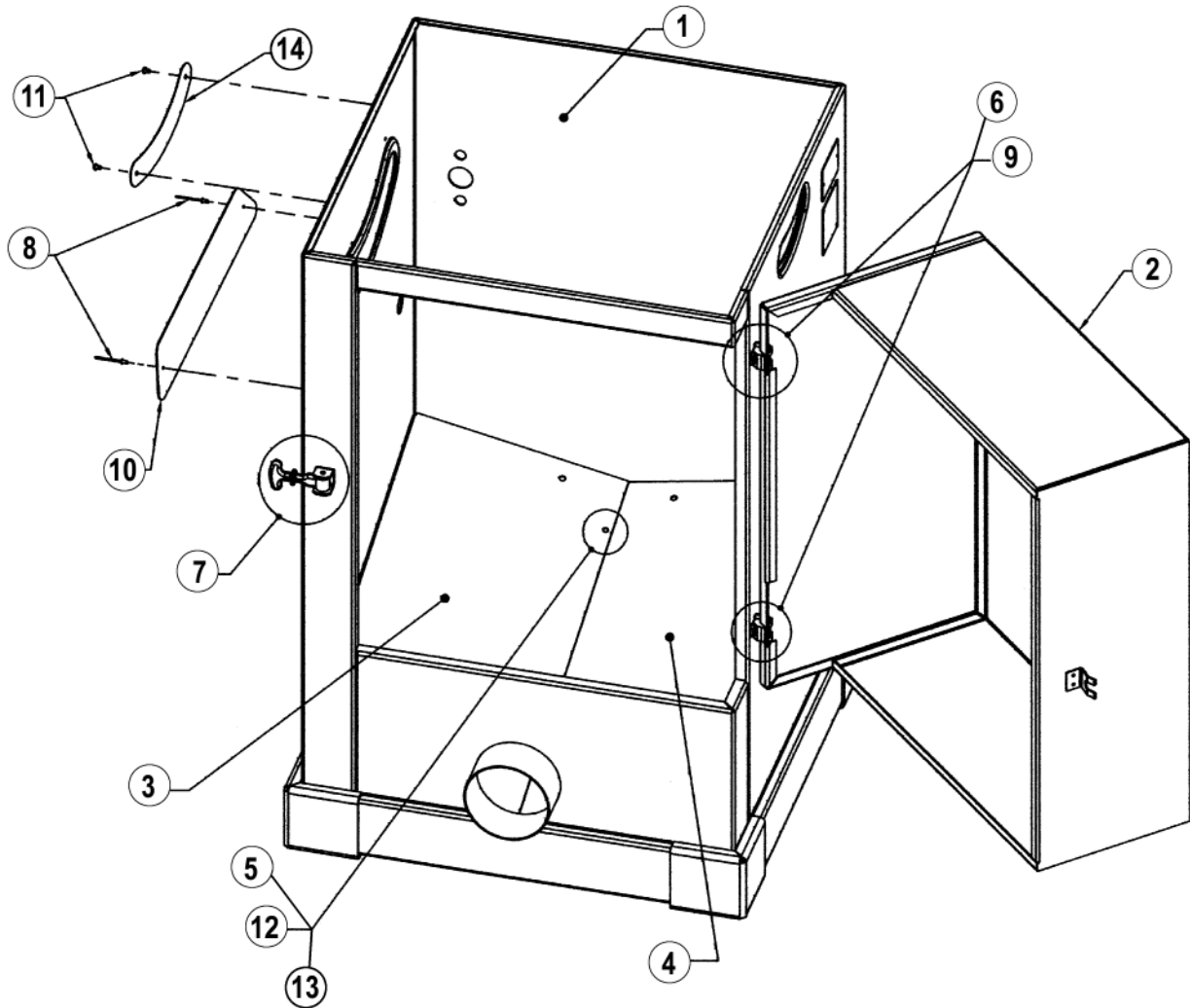


PARTS LIST

REF. NO.	PART NO.	DESCRIPTION	SPECIFICATION	QTY
1	351	MAIN TABLE	(1.562 X 20 X 27.937)	1
2	350-2R	TABLE INSERT		1
3	351-1	EXTENSION (LEFT AND RIGHT)	(1.476 X 8 X 27.937)	2
4	P-93	HEX HEAD BOLT	7/16-14 UNC X 1"	6
5	350-3	DADO INSERT (OPTIONAL - NOT INCLUDED)		1
6	P-528	SOCKET HEAD CAP SCREW	7/16-14 UNC X 3/4"	4
7	352-11	SWITCH BRACKET		1
8	P-101	HEX HEAD BOLT	3/8-16 UNC X 5/8"	2

TABLE

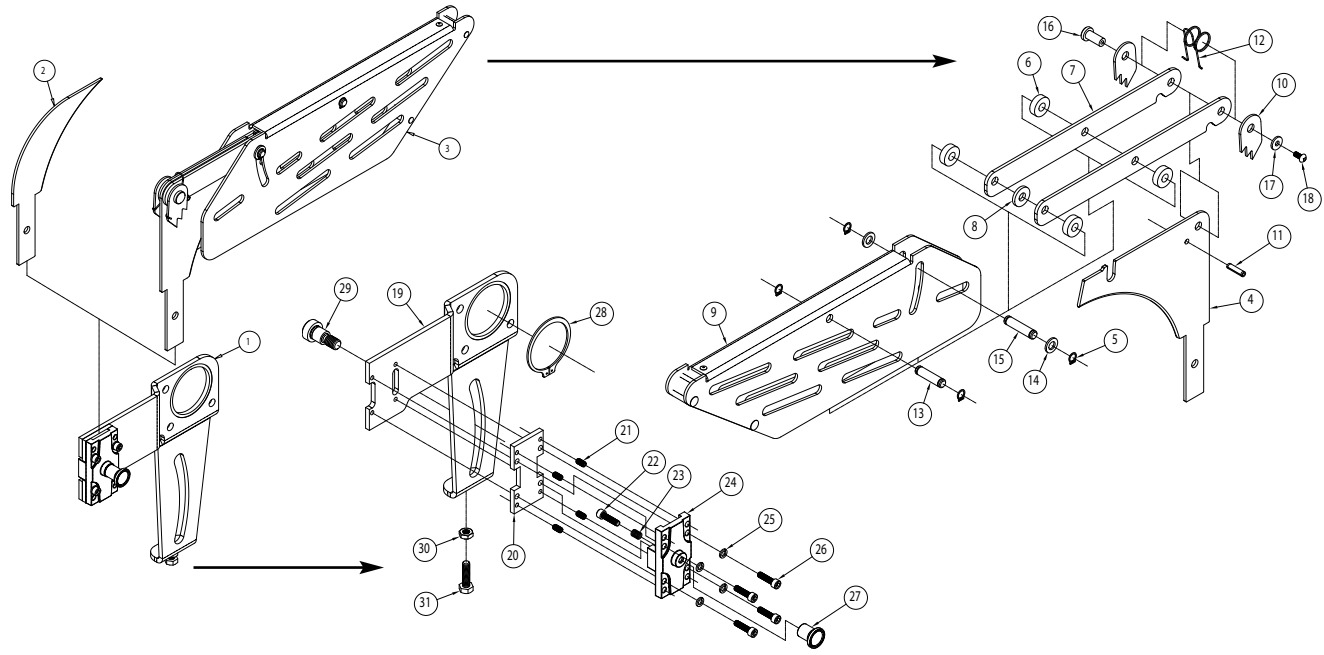
CABINET



PARTS LIST

REF. NO.	PART NO.	DESCRIPTION	SPECIFICATION	QTY
1	362	CABINET		1
2	362-10	CABINET DOOR WITH MOTOR 3 HP		1
3	362-14	FRONT BOTTOM PANEL		1
4	362-15	BACK BOTTOM PANEL		1
5	P-88	HEX. HEAD CAP SCREW	1/4" - 20 X 1/2"	1
6	P-1063	HINGE CABINET 350		2
7	P-1066	RUBBER LATCH		1
8	P-1177	POP RIVET	1/8" X .265 X .125	2
9	P-1194	HEX HEAD CAP SCREW	6 MM X 8 MM	2
10	P-1196	GENERAL MILLENNIUM PLATE		1
11	P-120	TAPPING SCREW	8-32 X 1/4"	2
12	P-136	LOCK WASHER	1/4"	1
13	P-212	JAM NUT	202-135	1
14	P-529	SCALE	352-7	1

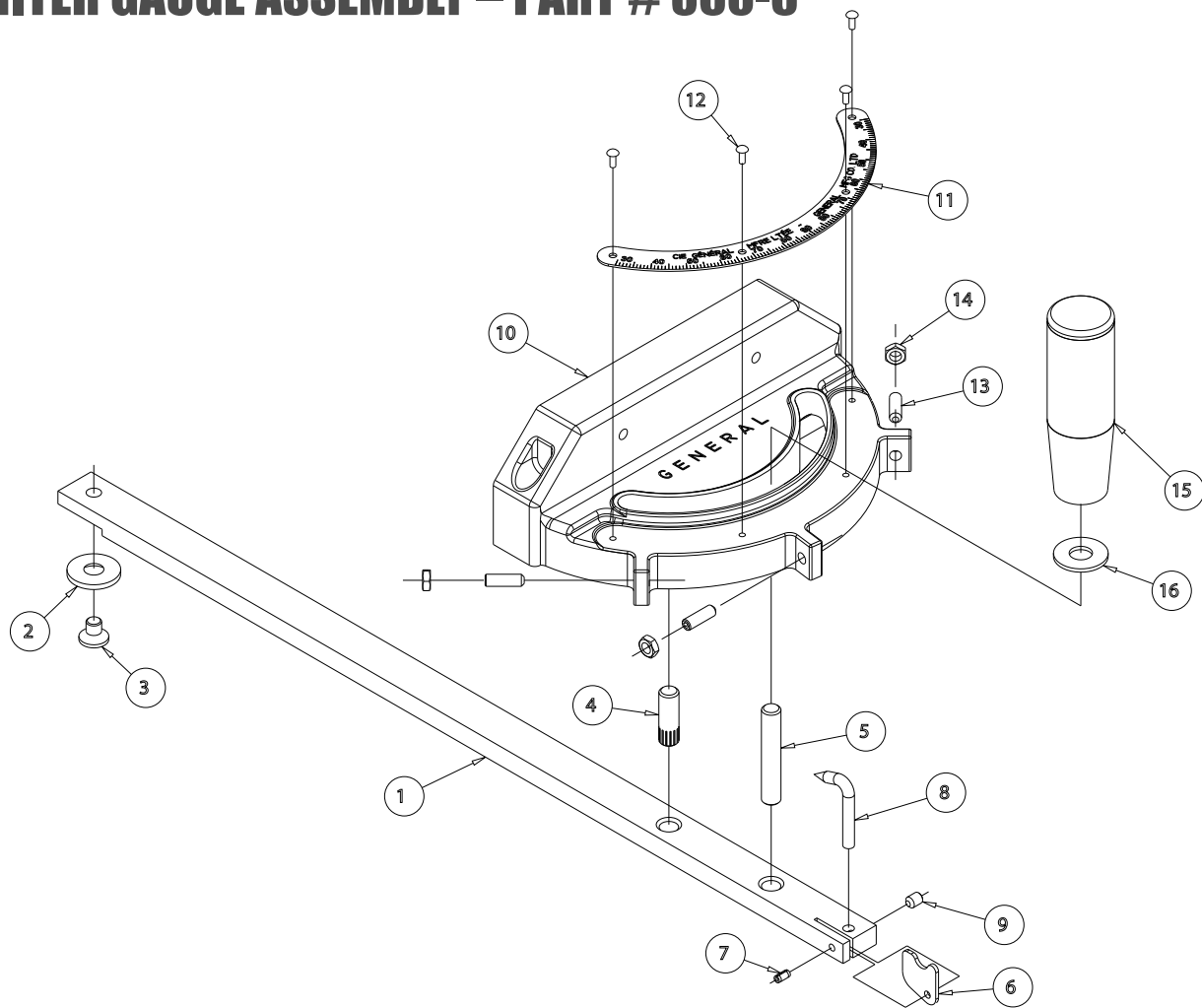
SPLITTER / BLADE GUARD ASSEMBLY – RIVING KNIFE



PARTS LIST

REF. NO.	PART NO.	DESCRIPTION	SPECIFICATION	QTY
1	357	MOUNTING BRACKET ASSEMBLY (350)		1
2	357-21	RIVING KNIFE		1
3	350-7R	SPLITTER/BLADE GUARD ASSEMBLY		1
4	357-24	SPLITTER		1
5	P-221	ROUND HOOK 5100-31		4
6	357-29	WASHER		4
7	357-25	GUARD ARM		2
8	357-28	MIDDLE WASHER		1
9	357-1S	GUARD ASSEMBLY		1
10	357-26	ANTI-KICKBACK PAWL		2
11	P-208	SPRING PIN	3/16 "X 3/4"	1
12	P-445	SPUR SPRING		1
13	357-30	GUARD PIN		1
14	P-166	NYLON WASHER	.062 X 5/16 I.D. X 3/4 O.D.	2
15	357-31	GUARD PIVOT		1
16	357-32	ANTI-KICKBACK PAWL PIN		1
17	P-203	FLAT WASHER	#8, .062 X 3/16 I.D. X 1/2 O.D.	1
18	P-116	ROUND HEAD MACHINE SCREW, SQUARE GRIP	#2,#8-32 UNF X 3/8	1
19	357-20	ROCKER ARM (350)		1
20	357-22	ADJUSTMENT SPACER		1
21	P-152	SET SCREW	10-32 X .375	14
22	P-312	CAP SCREW	10-24 X 3/4	1
23	P-140	COMPRESSION SPRING		1
24	357-23	HOLD-DOWN BLOCK		1
25	P-496	LOCK WASHER	3/16	4
26	P-395	SOCKET HEAD CAP SCREW	10-32 X 3/4	4
27	P-449	KNOB		1
28	P-308	OUTER HOLD-DOWN RING	SERIE R3100-20	1
29	P-717	SHOULDER BOLT	3/8-06 UNC X 1/2 X 1/2	1
30	P-160	STOP NUT	1/4-20 UNC	1
31	P-355	HEX HEAD BOLT	1/4-20 UNC X 1	1

MITER GAUGE ASSEMBLY – PART # 350-5

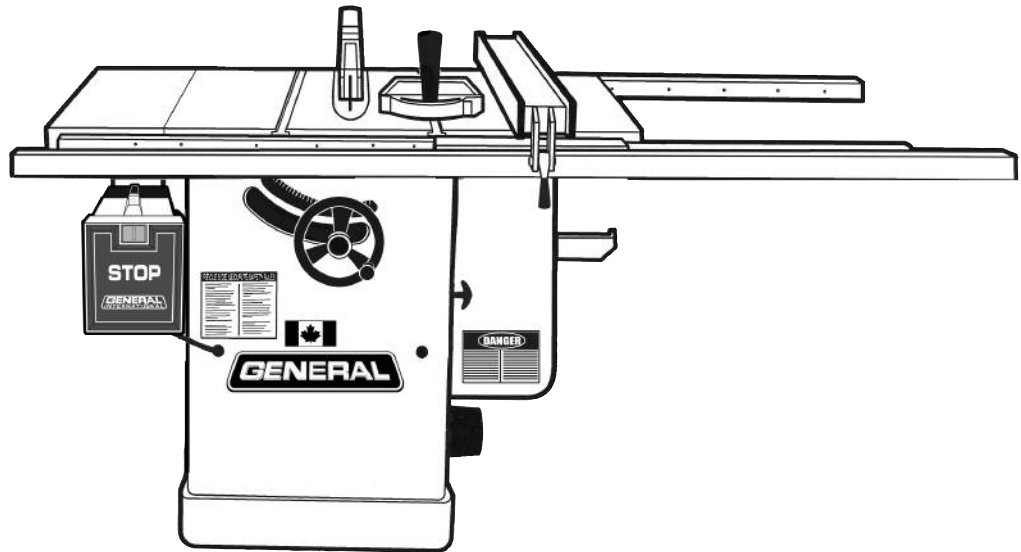


PARTS LIST

MITER GAUGE

REF. NO.	PART NO.	DESCRIPTION	SPECIFICATION	QTY
1	359-3	MITER GAUGE BAR		1
2	359-4	GUIDE WASHER		1
3	P-168	FLAT HEAD SCREW	1/4-20 UNC X 3/8"	1
4	359-5	PIVOT		1
5	2561	LOCK STUD		1
6	3564	STOP		1
7	P-144	GROOVE PIN	TYPE-2, 1/8" X 1/4"	1
8	J-80-25	POINTER		1
9	P-218	SOCKET HEAD SCREW	10-32 UNF X 1/4	1
10	359-1	MITER GAUGE		1
11	P-442	ANGLE SCALE		1
12	P-329	DRIVE SCREW	#4 X 1/4"	4
13	P-81	SOCKET SCREW	10-32 UNF X 5/8	3
14	P-498	STOP NUT	#10-32 UNF	3
15	P-443	HANDLE		1
16	P-443	FLAT WASHER	5/16"	1

MODEL 350R-T50



835, Cherrier Street, Drummondville (Quebec) Canada J2B 5A8

Tel.: (514) 326-1161

Fax: (514) 326-5565 - Parts & Service / Fax: (514) 326-5555 - Order Desk

orderdesk@general.ca
www.general.ca

IMPORTANT

When ordering replacement parts, always give the model number, serial number of the machine and part number. Also a brief description of each item and quantity desired.