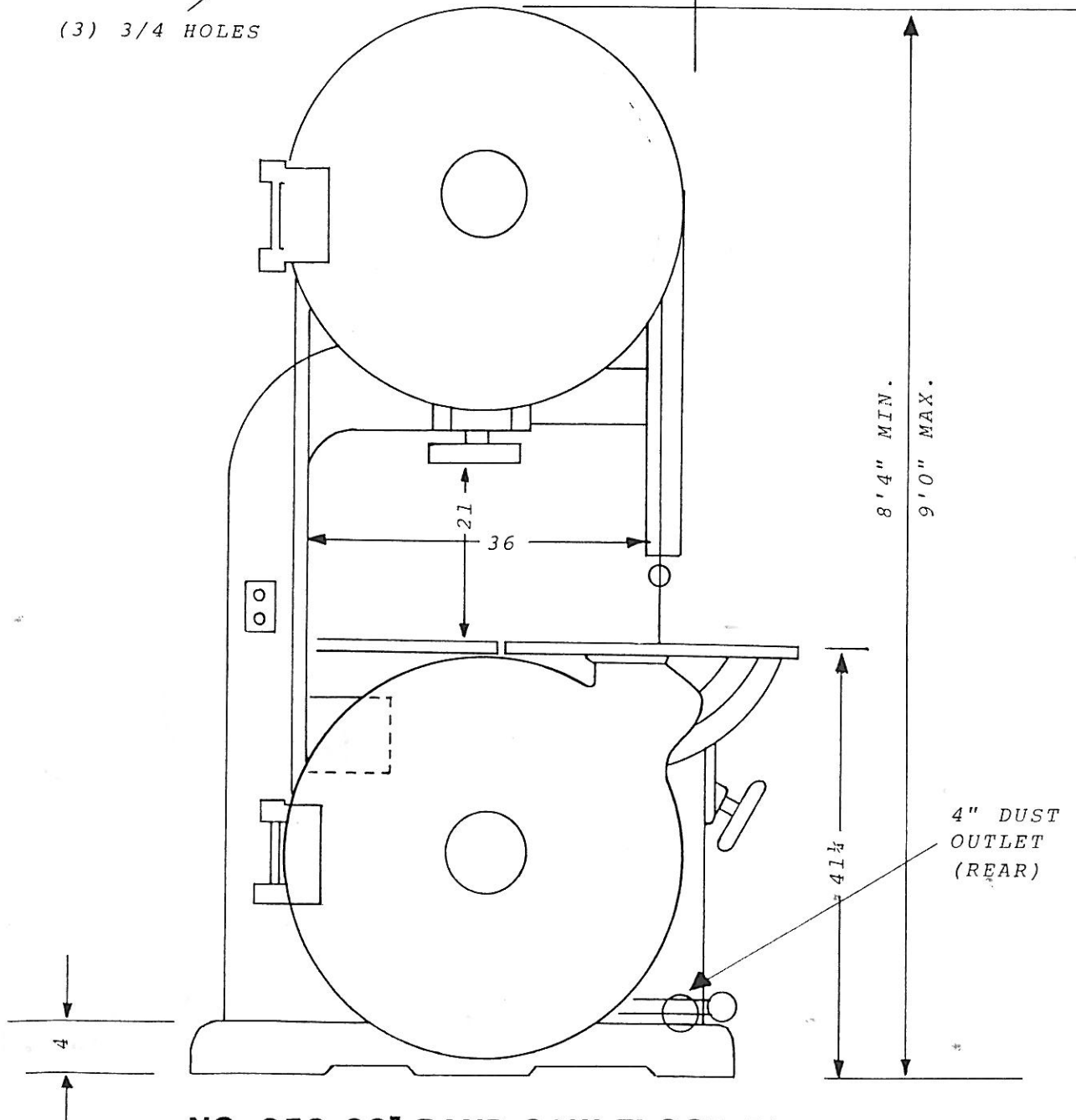
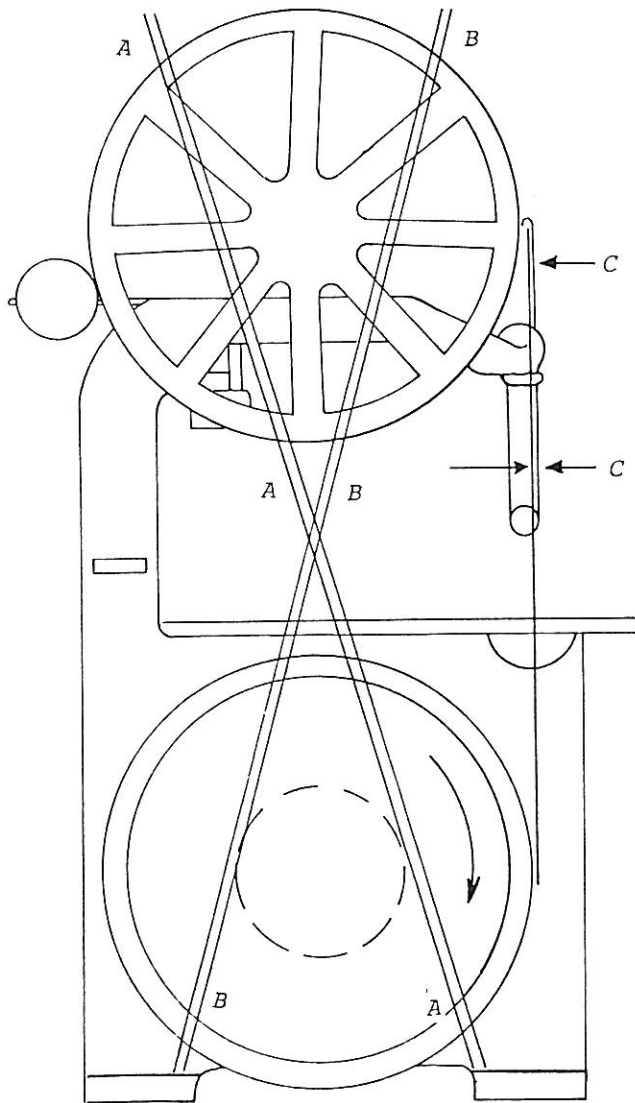


(3) 3/4 HOLES

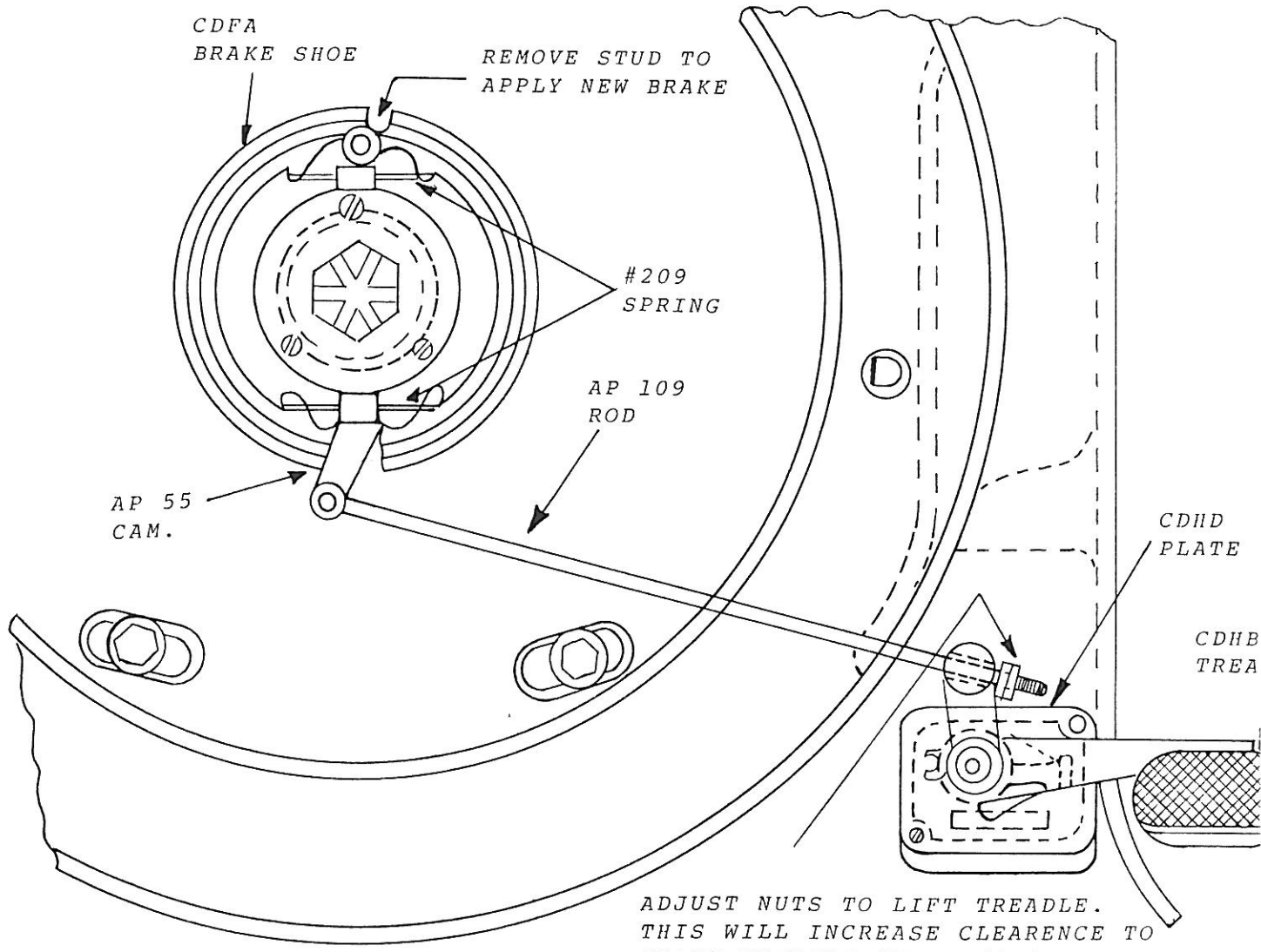


**NO. 950-36" BAND SAW FLOOR PLAN**



1. STRAIGHT EDGE SHOULD TOUCH FACE OF WHEEL AT FOUR POINTS A&B.
2. BLADES MUST BE PARALLEL TO GUIDE SLIDE. DISTANCE C MUST BE EXACTLY THE SAME AT BOTH POINTS.
3. PUT ON BLADE AND RAISE UPPER WHEEL BY MEANS OF ADJUSTING SCREW UNTIL WEIGHT IS RAISED ONE INCH OFF THE REST.
4. START MACHINE AND WATCH THE BLADE, TILTING UPPER WHEEL BY MEANS OF TILTING SCREW UNTIL BLADE TRACTS PROPERLY ON WHEEL.

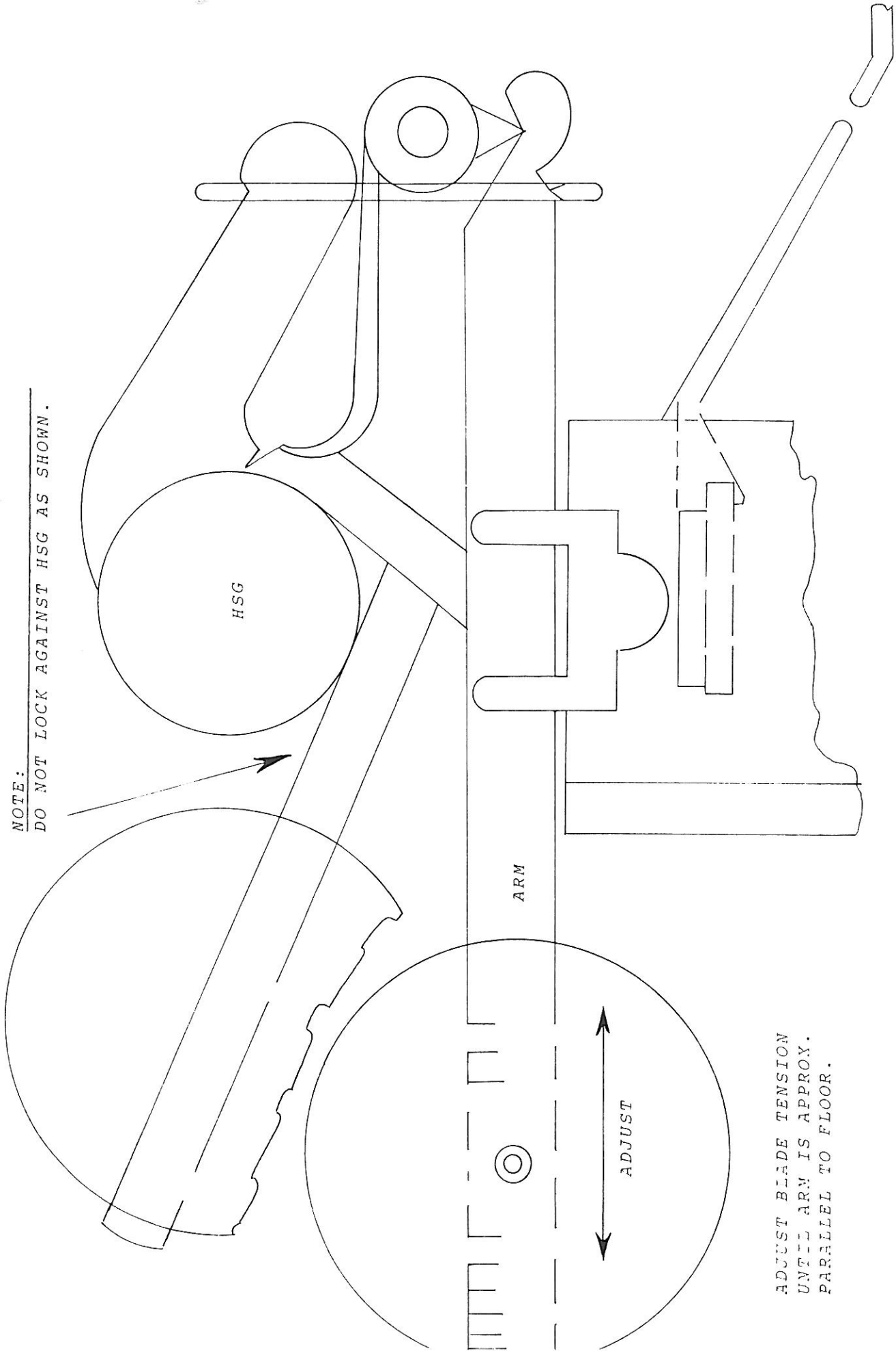
## INSTRUCTIONS FOR SETTING UP WHEELS PROPERLY



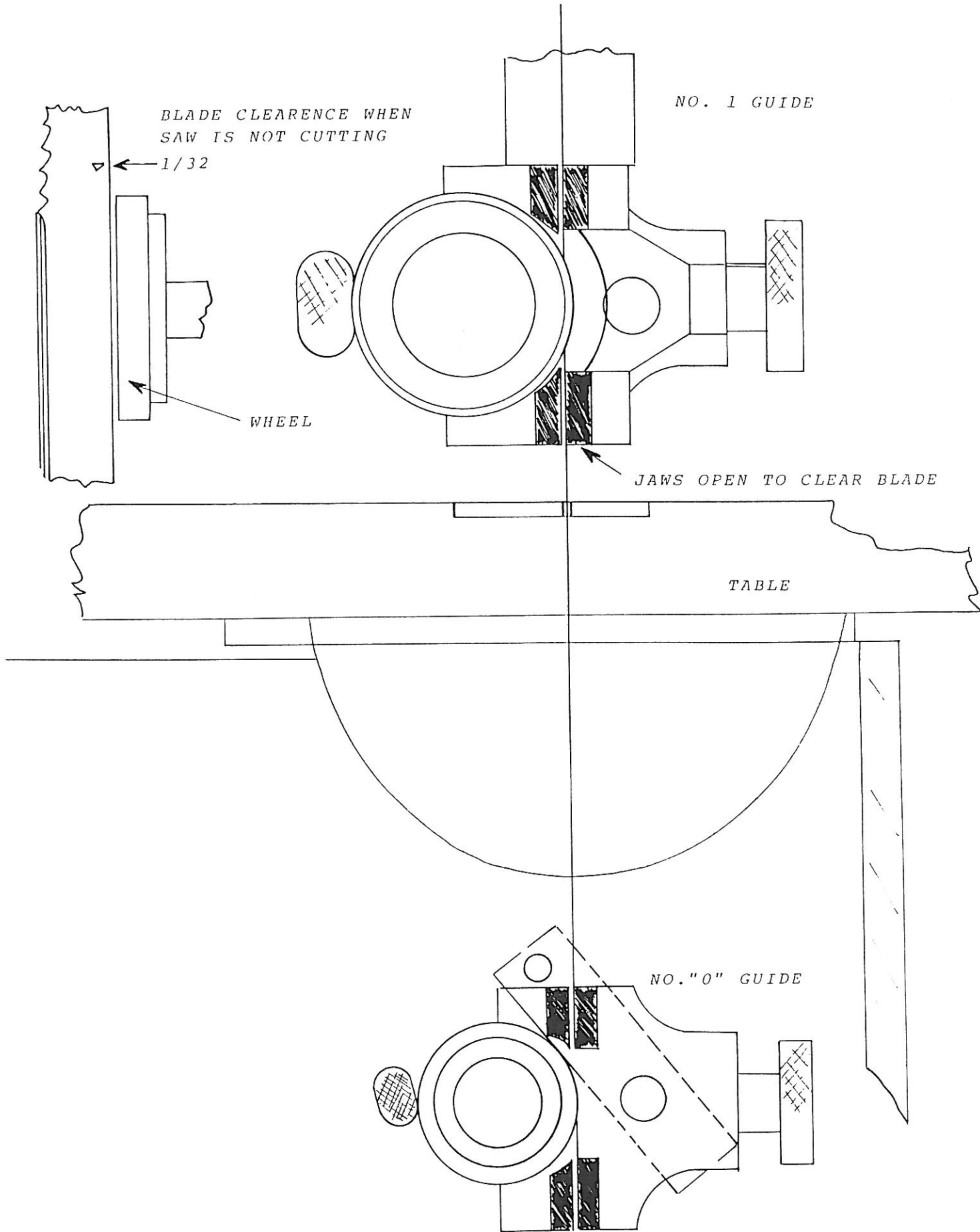
ADJUST NUTS TO LIFT TREADLE.  
 THIS WILL INCREASE CLEARANCE TO  
 BRAKE TREADLE PUSH BUTTON.  
 (DO NOT RAISE TREADLE HIGH ENOUGH  
 TO LOCK BRAKE IN WHEEL)

**NO. 950 BRAKE ASSEMBLY**

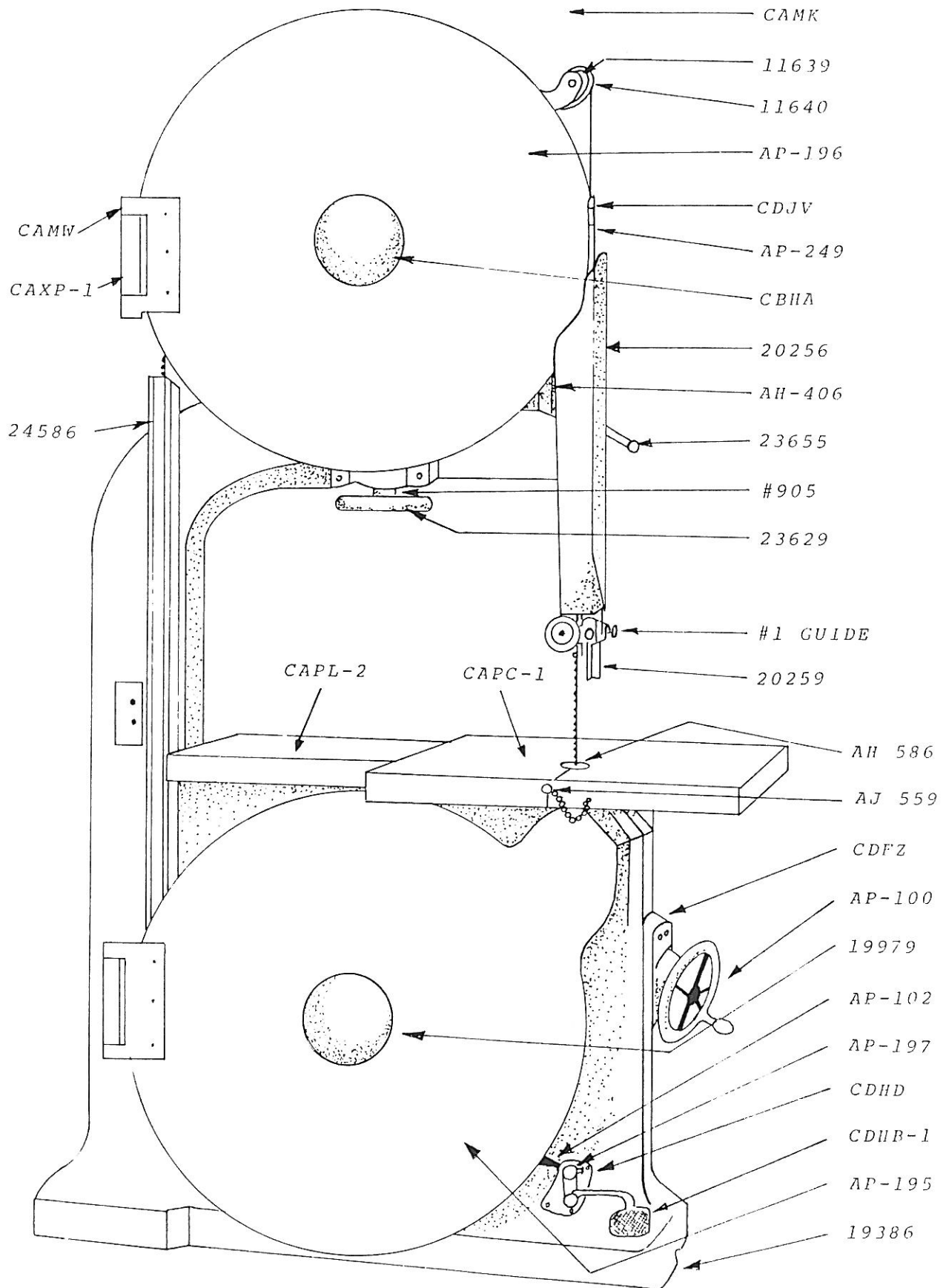
NOTE:  
DO NOT LOCK AGAINST HSG AS SHOWN.



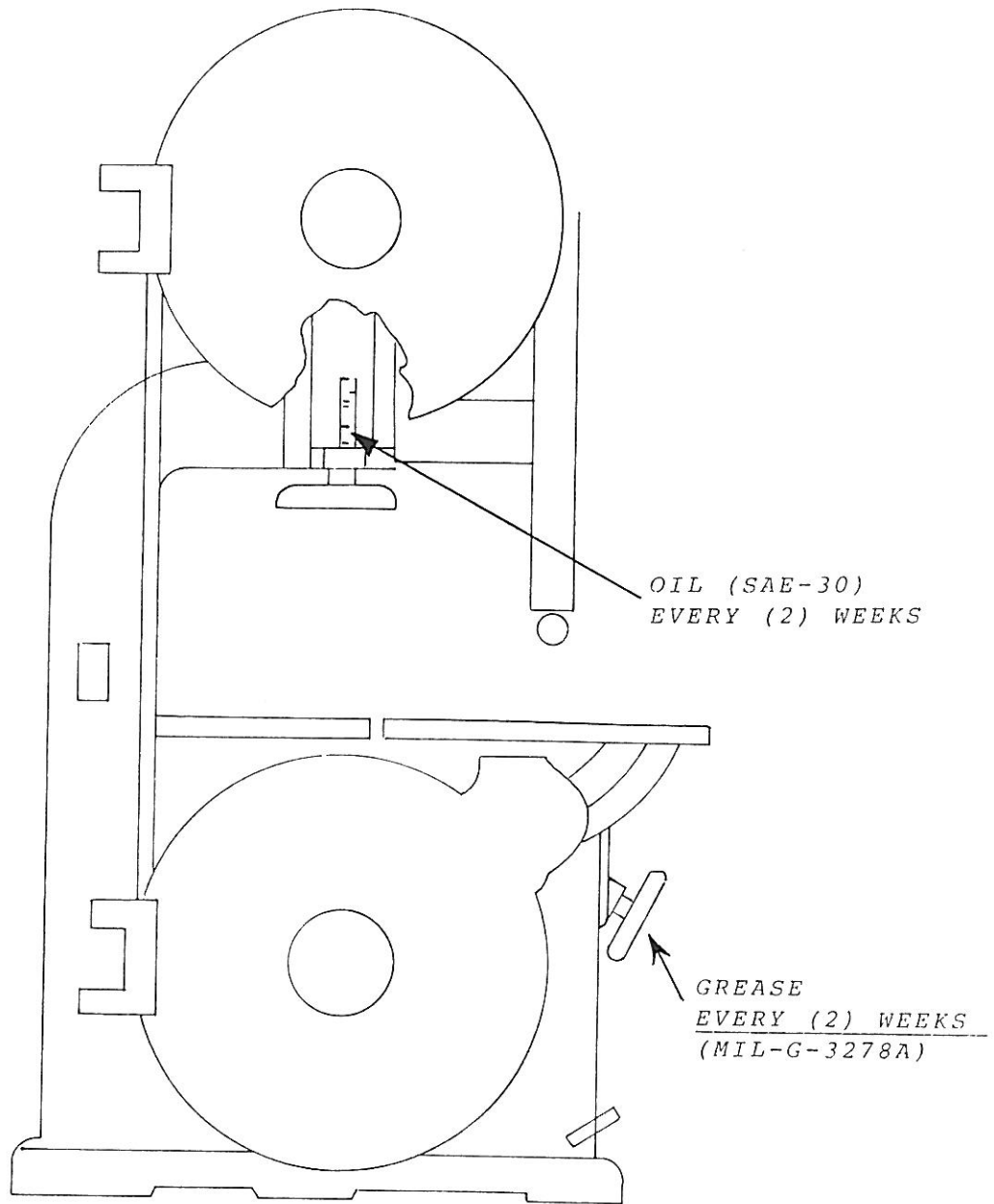
ADJUST BLADE TENSION  
UNTIL ARM IS APPROX.  
PARALLEL TO FLOOR.



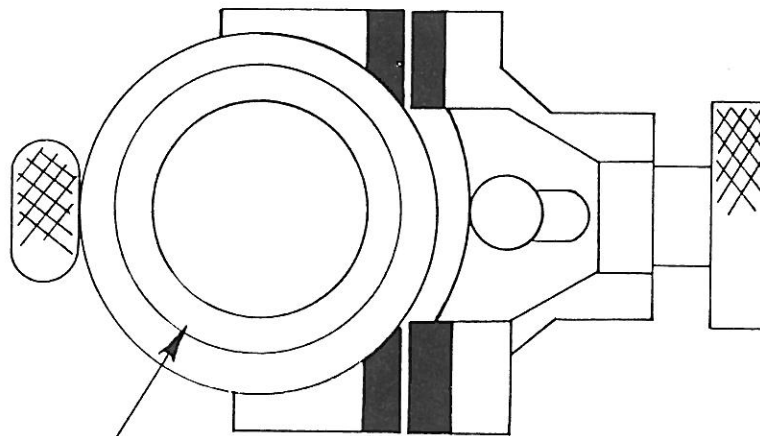
GUIDES SHOULD BE ADJUSTED AS SHOWN. BLADES MUST NOT DRAG ON GUIDE JAWS. GUIDES MUST BE ON SAME VERTICAL LINE.



**NO. 950 FRONT VIEW**



**LUBRICATION**



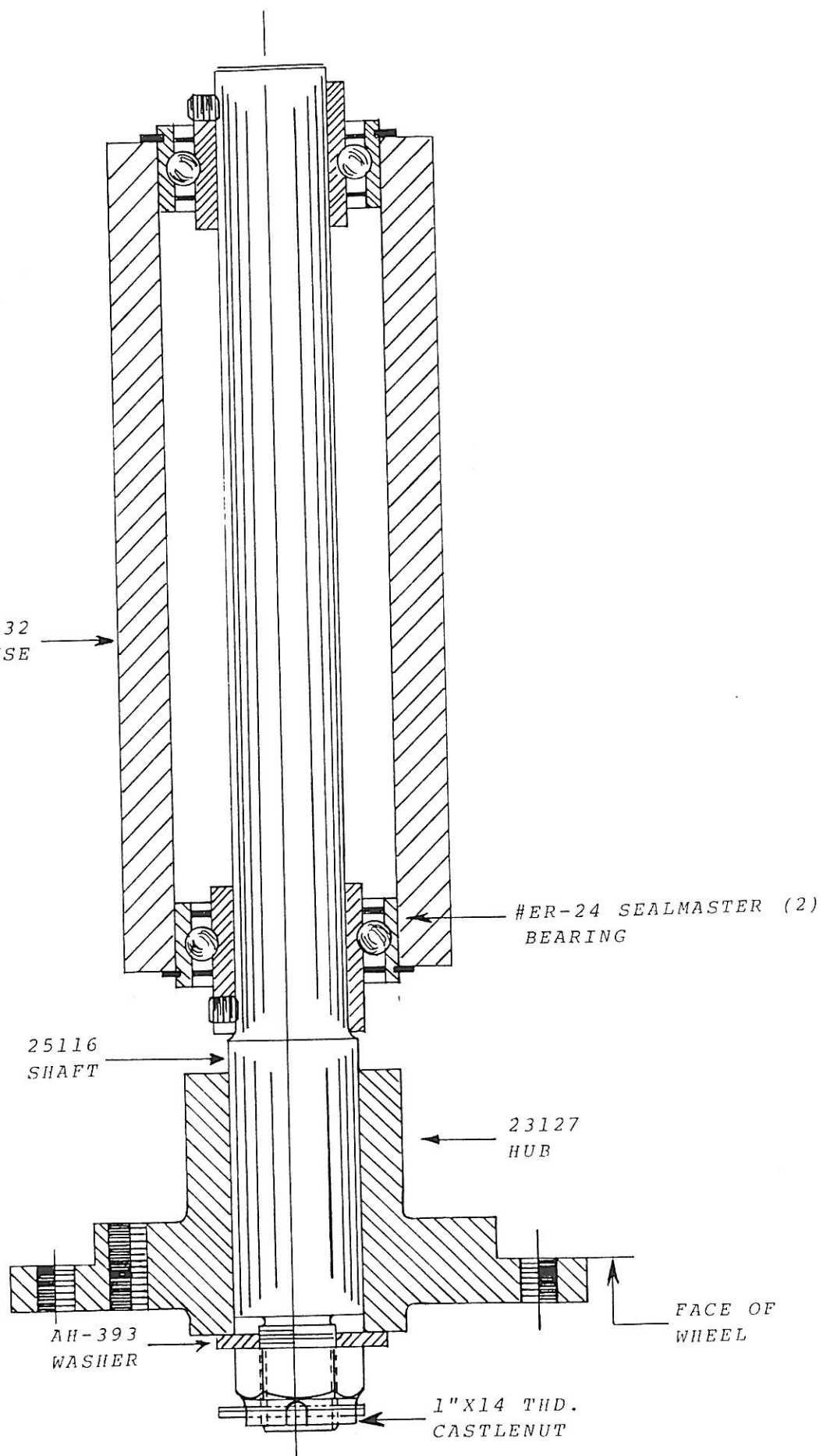
#0 WHEEL 1-15/16 DIA.  
#1 WHEEL 2-13/16 DIA.

GUIDE JAWS  
(4 TO SET)  
ORDER NO. "0" OR NO.1

IN ORDERING PLEASE NOTE THE SIZE OF THE GUIDE IS DETERMINED BY  
THE DIAMETER OF THE GUIDE WHEEL.

## WRIGHT GUIDE

25132  
HOUSE



#ER-24 SEALMASTER (2)  
BEARING

25116  
SHAFT

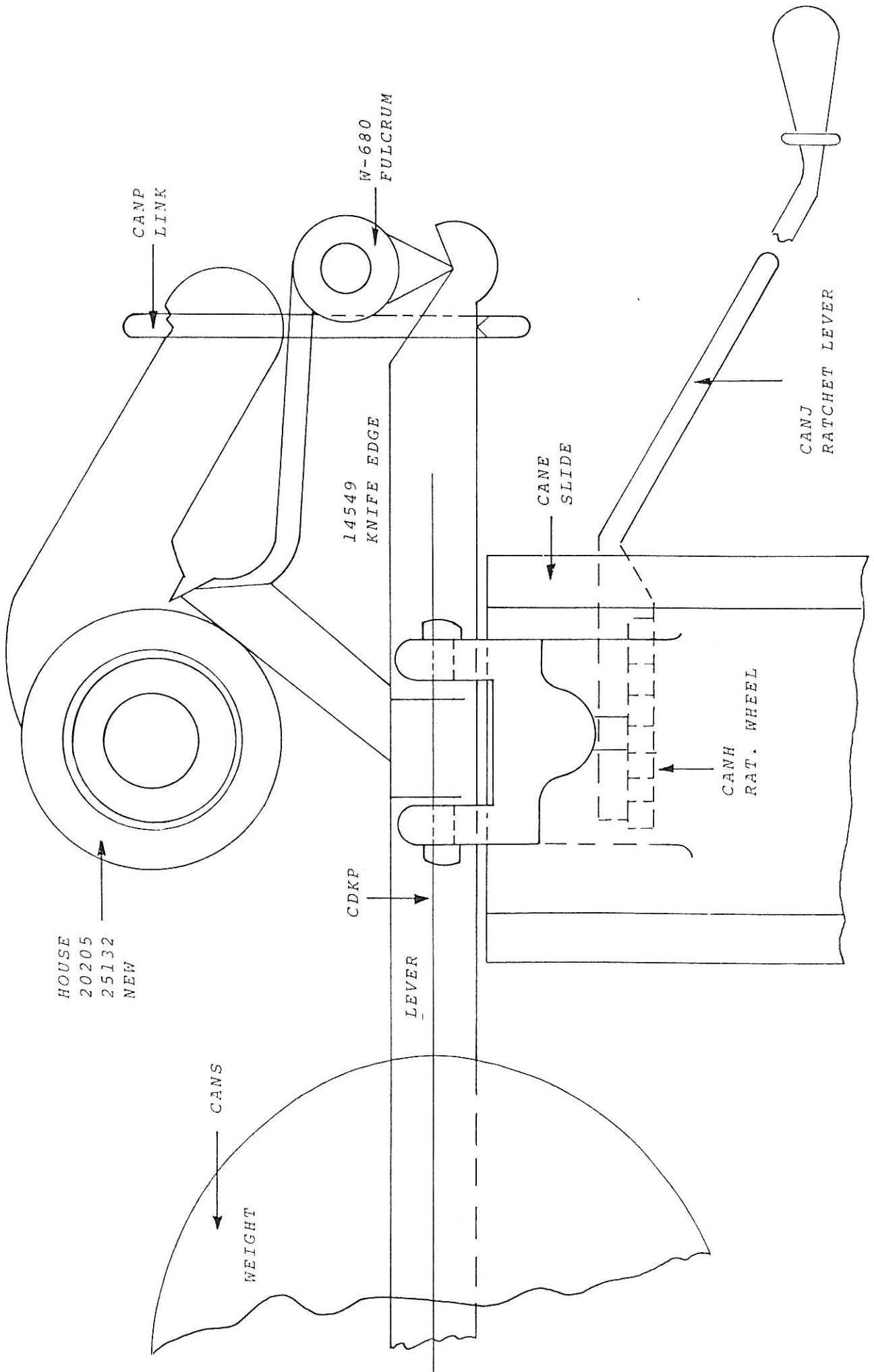
23127  
HUB

AH-393  
WASHER

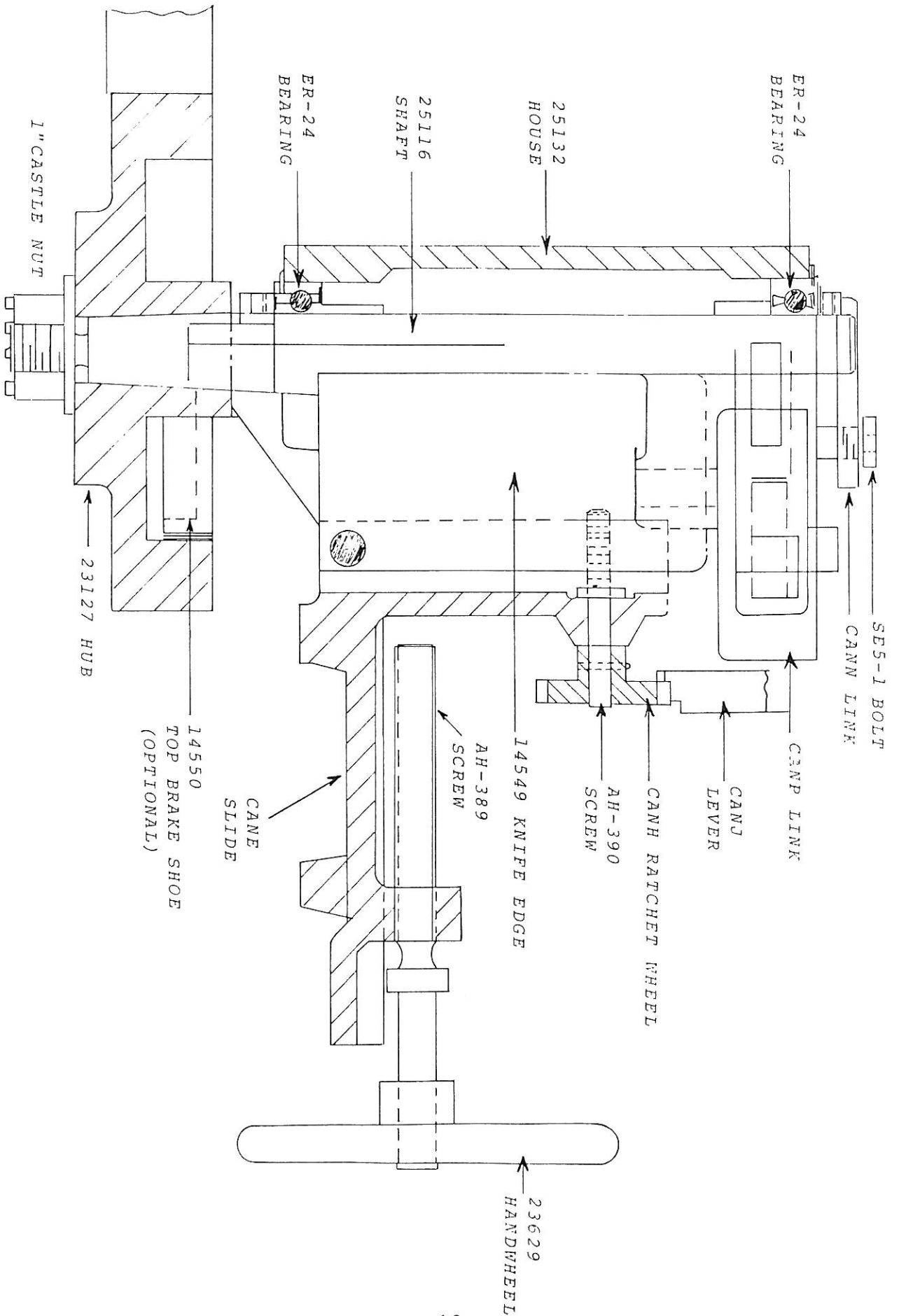
FACE OF  
WHEEL

1" X 14 THD.  
CASTLE NUT

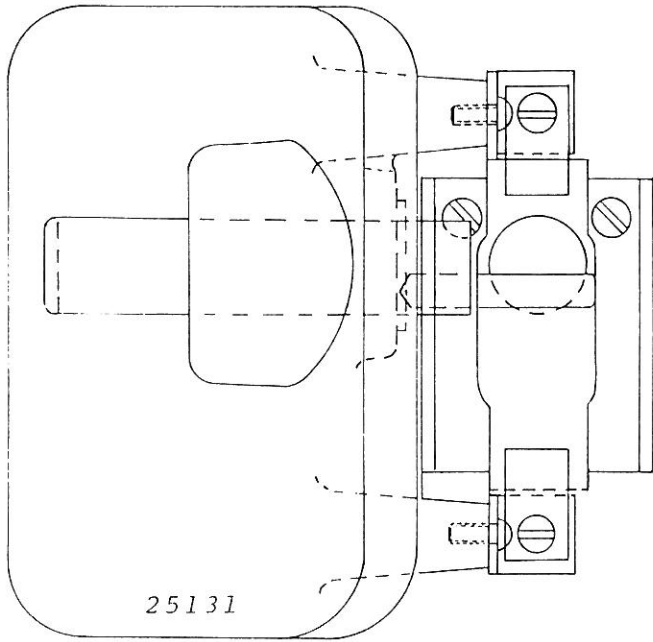
### TOP WHEEL HOUSE ASSEMBLY



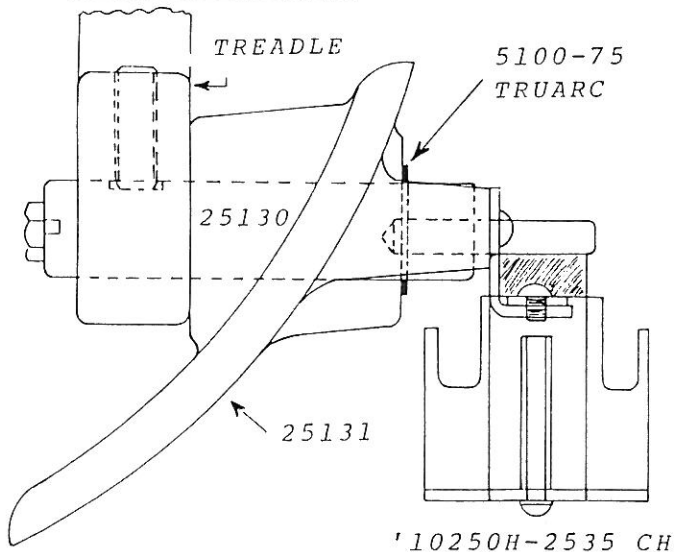
STRAIN ASSEMBLY (FRONT)



**TOP WHEEL ASSEMBLY**



25131



TREADLE

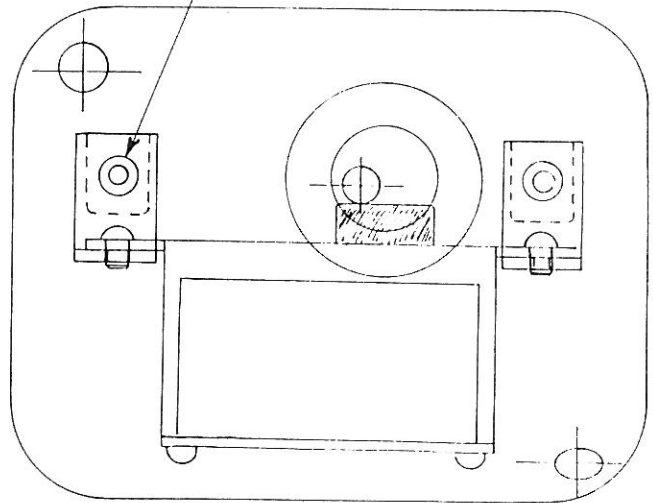
5100-75  
TRUARC

25130

25131

'10250H-2535 CH

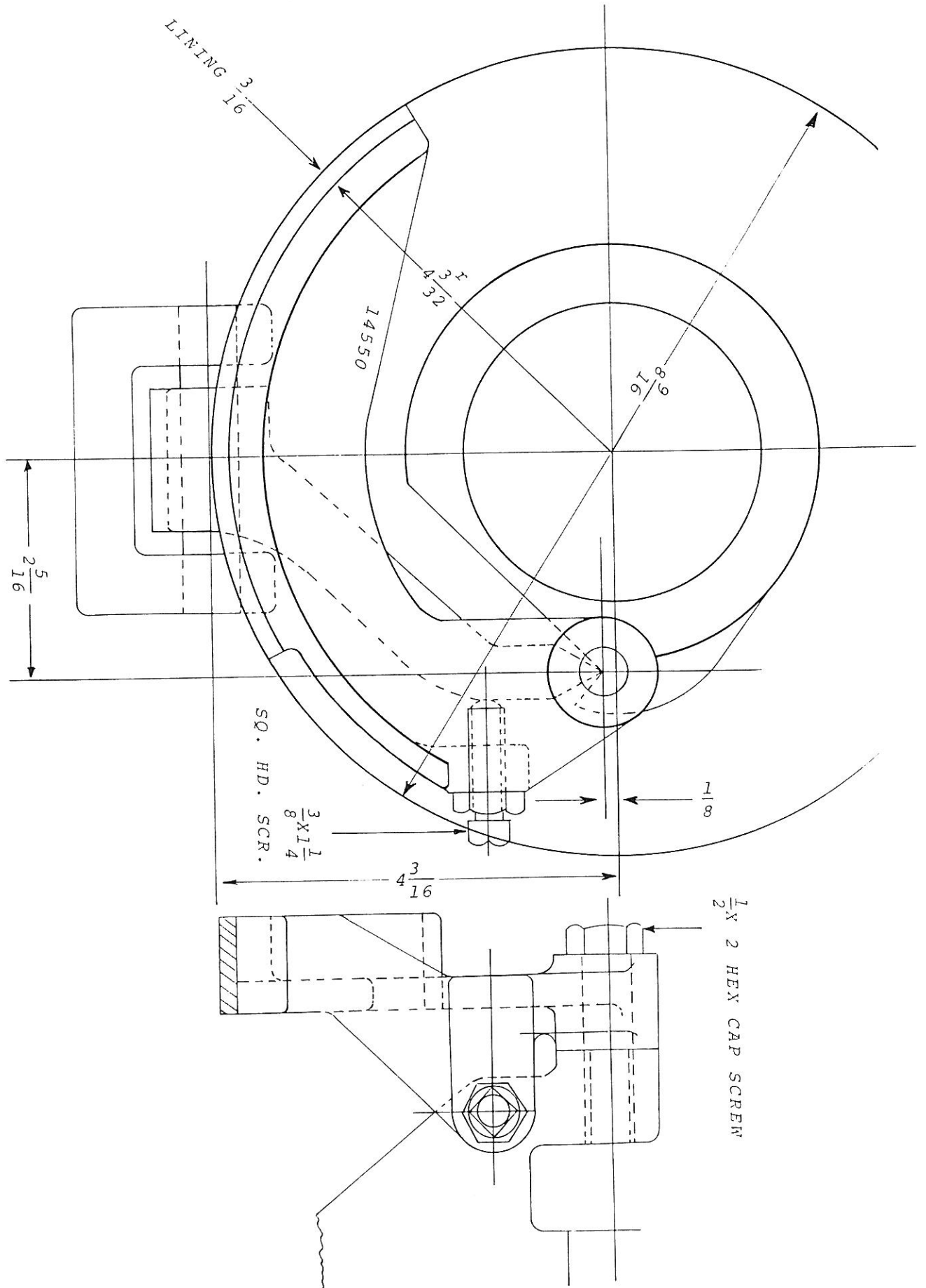
#8-32 THD. X  $\frac{3}{8}$  SCREEN  
(4)



NEW STYLE

**ASSEMBLY BRAKE AND SWITCH TREADLE**

# ASSEMBLY UPPER WHEEL BRAKE



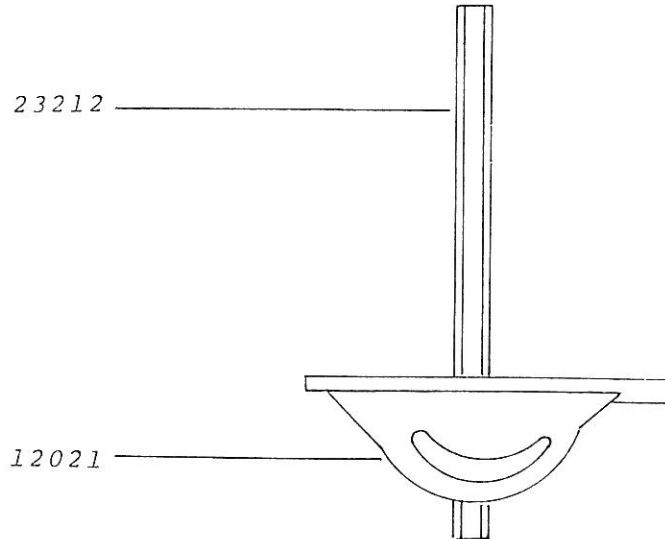
AE-131 ————— 

KC-3 ————— 

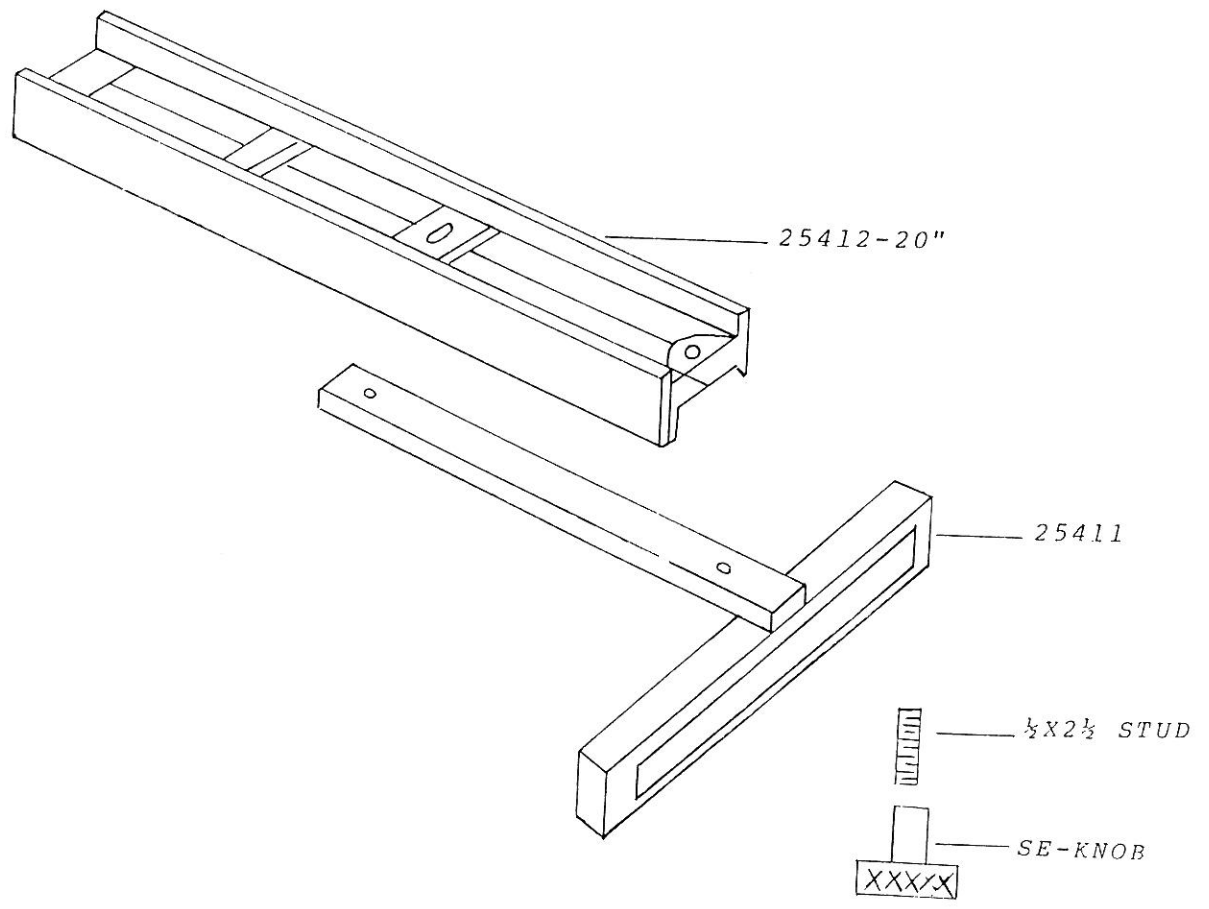
SE-8-1 ————— 

ARAC ————— 

AM-775 ————— 



### MITER FENCE UNIT



# RIP FENCE

## NO. 950-36" BAND SAW PARTS LIST

PART NO.	PART NAME	PART NO.	PART NAME
22979	Gib Plate	SE-8-3	Stud
BZVS	Door for Control Box	AH-370	Holder for Lower Guide
CBFZ-1	Filling Plate	AH-404	Lower Guide Stem
CDFZ	Swivel Bearing	CDFA	Brake
ASNP	Weight	ATJT	Index Pointer
CAMK	Bracket for Sheave	24785	Table Stud
CBHA	Cover	AJ-634	Guide Pin
CDHB-1	Brake Treadle	25116	Top Wheel Shaft
25131	Brake Treadle Plate	3/8" Cable Chain	
CDFE	Wheel Puller	Asbestos Br. Lining	
14549	Knife Edge	3/8 x 3/4 Flat Hd. Iron Rivet	
W-680	Wt. Lever Fulcrum	CAPA	Socket Block for Table
CDKF	Wt. Lever	CDHA	Table Bracket for Swivel
CANH	Ratchet Wheel	23629	Hand Wheel
CANN	Hold Down	10711	Seg. Gib for Table
CANP	Lever Link	14909	Block for Port Hole Pl.
CANS	Weight	23656	2-Ball Handle
CAXP-1	Hinge	AH-911	Conduit Anchor Plate
CDJV	Port Hole Plate	AH-364	Col. Hole Plate
CANW	Hinge	AP-97	Tilt Screw Nut
10710	Table Segment	AP-99	Tilt Screw Bearing
19979	Cover (low wheel)	AH-369	Gib for Guide Bar
ER-24	Bearing (sealmaster)	AH-390	Ratchet Wheel Screw
AP-102	Brake Treadle Shaft	AH-391	Knife Edge Pivot
11639	Sheave	AH-393	Wheel Washer
Style "A"	Handle	AH-400	Hinge Pin
10742	Swivel Stud (treadle)	20260	Stud for Guard
AP-249	Port Hole Glass	AH-586	Table Throat Disc.
AP-96	Table Angle Gage	AJ-559	Pin for Table
AN-375	Wheel Brush	AP-100	Table Tilt Screw
#209	Spring		
#905	Thrust Bearing		
SE-4-2	Stud for Brake		
SE-5-1	Hollow Bolt		

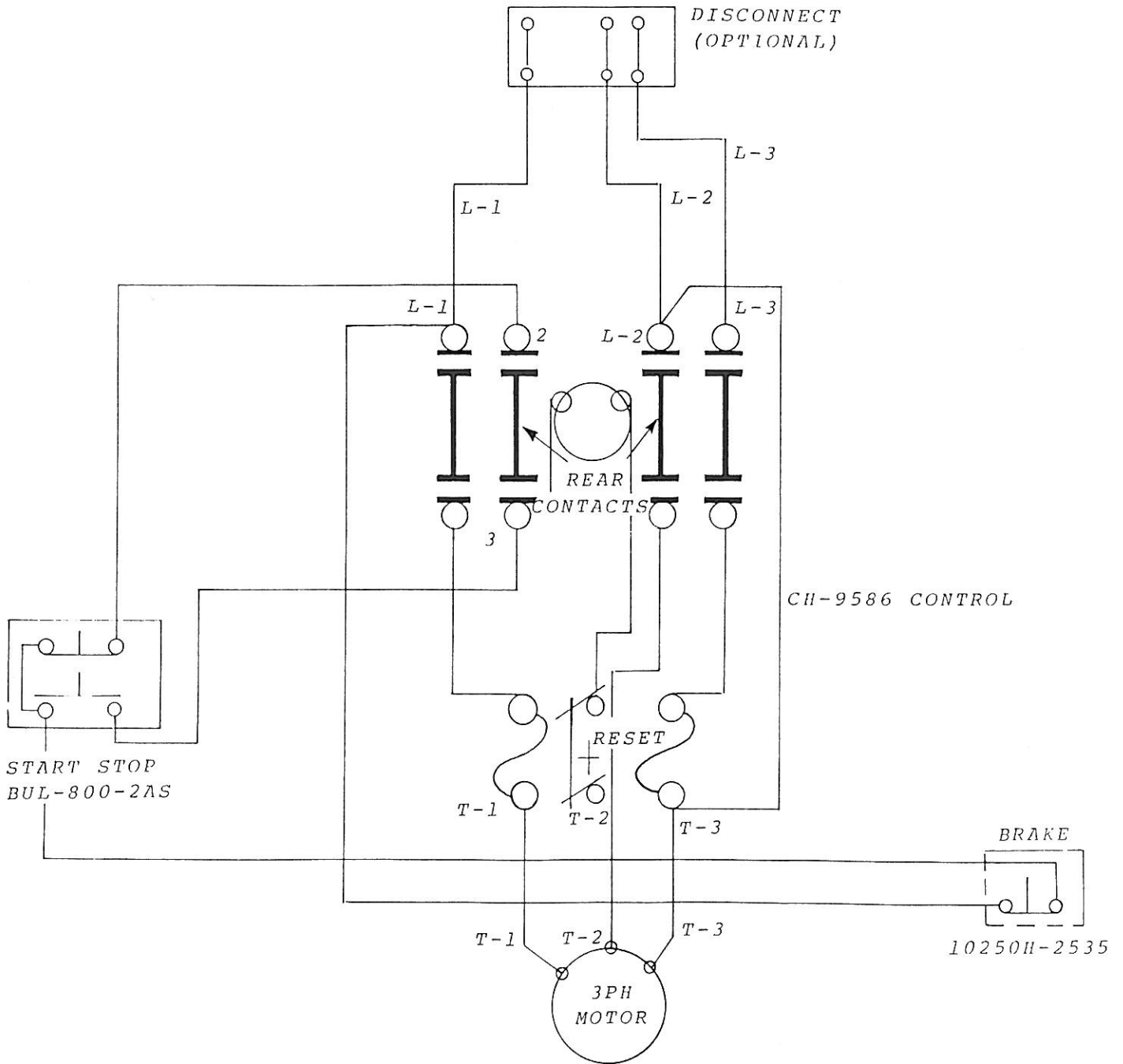
PART NO.	PART NAME
AH-367	Safety Catch
24156	Lever (Brake Cam)
15/16	Standard Collar
AP-55	Brake Cam
25130	Br. Treadle Shaft
10250H-2535	C/H Stop Station
712-BJB-242	Mag. Control (AB)
800T-2AS	Start Stop (AB)
FR 254T	5 HP-900-motor 3/60/230-460 36" Carter Wheel 5/8" Wood Blade
23127	Wheel Hub
5100-75	Snap Ring (Tru-Arc)
19386	Column
20256	Guard
CANE	Top Wheel Slide
24783	Top Guard Support
CAPC-1	Main Table
CAPL-2	Rear Table
CAPM	Brush Holder
25132	Upper Wheel Housing

PART NO.	PART NAME
20259	Guide Bar
AP-109	Br. Treadle Rod
AH-389	Raise Screw Top Wheel
AH-396	Gib Top Wheel Slide
AH-406	Guide Rod
CANJ	Ratchet Lever
24586	Back Guard
AP-195	Low Wheel Door
AP-196	Upper Wheel Door
24784	Upper Wheel Guard
#1	Guide Stem
#1	Guide
#0	Guide
	3/8 x 3/4 flat hd. socket cap screw
	5/8 x 6 1/2 Sq. hd. Bolt

#### VEE BELT PARTS

3B-11.0	Vee Sheave (Mach)
3B-5.6	Vee Sheave (Motor)
B-90	Vee Belt
23475	Belt Guard
23477	Motor Base





**STANDARD DIAGRAM 950**