

REPAIR PARTS BOOK

FOR

MODEL R2

DEWALT RADIAL SAW

Manufactured by

DEWALT INC.

LANCASTER, PENNSYLVANIA, U. S. A.

Subsidiary - American Machine and Foundry Co.

Order Parts from Your Nearest Authorized Distributor

Note: Be Sure to Give Model and Serial Numbers When Ordering

Instructions for Ordering Parts

1. Always give serial number and model of your machine and complete name plate data of motor.
 - (A) Model and serial will be found on machine name plate mounted on upper portion of column.
 - (B) Motor information found on motor name plate mounted on motor.

(1.) **DON'T RELY ON YOUR MEMORY FOR THIS IMPORTANT DATA—CHECK THE NAME PLATE.**
2. Order only genuine DeWalt parts from your nearest dealer.
3. Be sure to give complete shipping information—Complete Firm name, Street address and City and State (County if necessary). Specify how parts are to be shipped—Freight, Express, or Parcel Post—Air, Rail, or Truck.
4. In order to expedite handling of your order, provide the following information regarding the parts ordered. Quantity of each part desired, part number, name or description of part and any other identification possible.

Instructions for Identification of Parts

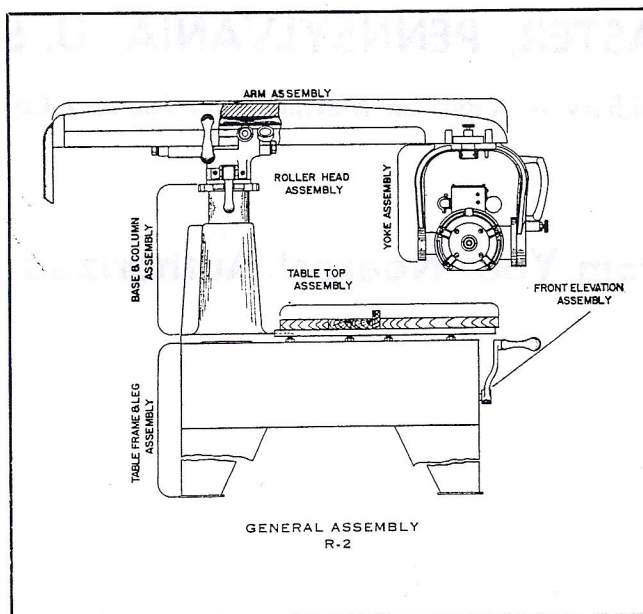
1. Identify Sub-assembly on which part is used by reference to Fig. 1 under General Assembly.
2. Refer to drawing of Sub-assembly to identify proper name of part.
3. Refer to parts list under proper Sub-assembly to identify by number.

EXAMPLE:

You desire to order replacement of all bearings for rollerhead on Machine Model R-2 Serial Number 94080, Frame 563, 3 h.p., 1 ph., 115/230 v., 60 cy., Motor Serial Number 508H76.

1. From General Assembly (Fig. 1) it is determined that bearings are found on Bearing-Head Assembly.
2. Referring to Bearing-Head Assembly (Fig. 4) it is determined the proper name of part is Bearing.
3. Referring to Parts List under Bearing-Head Assembly and using Serial Number as Guide you order 8 Number 22065 Bearings.

FIGURE 1



Note: Be Sure to Give Model and Serial Numbers When Ordering

FIGURE 2

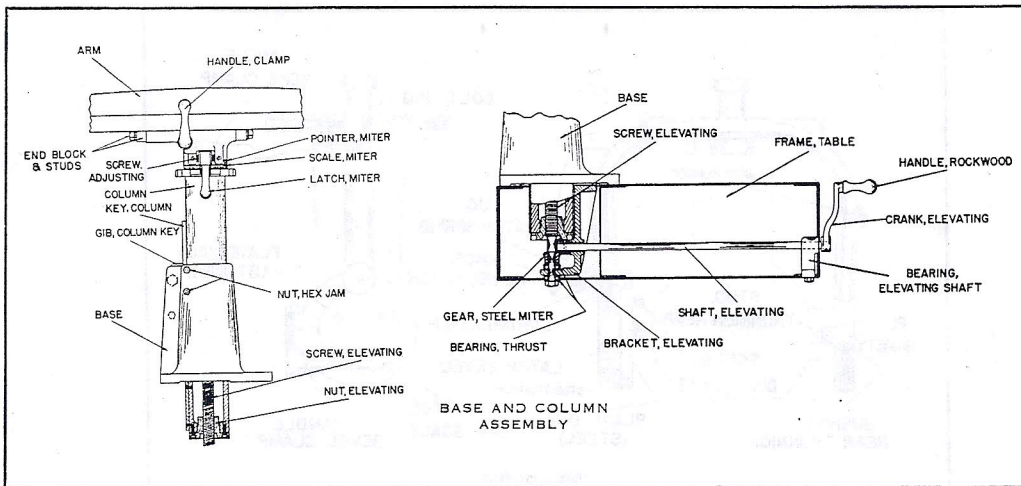


FIGURE 3

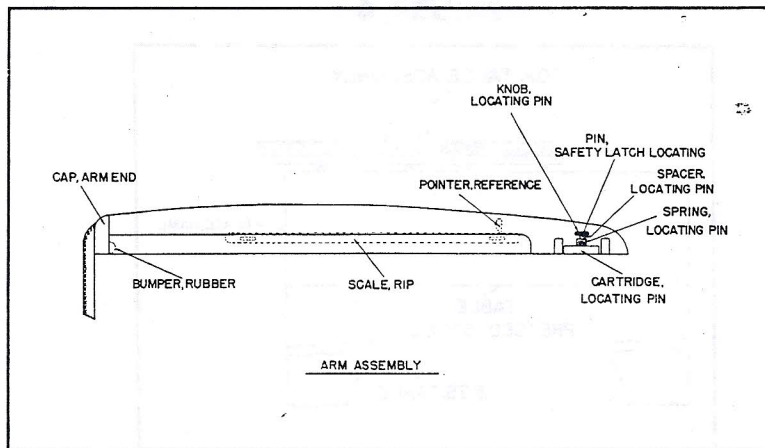
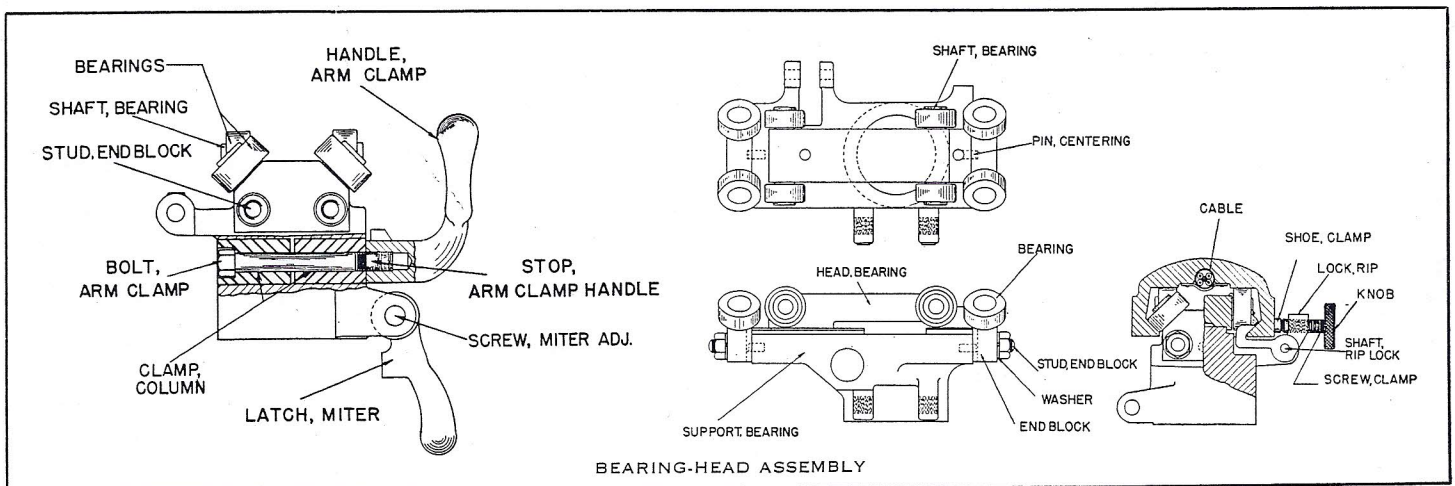


FIGURE 4



Note: Be Sure to Give Model and Serial Numbers When Ordering

FIGURE 5

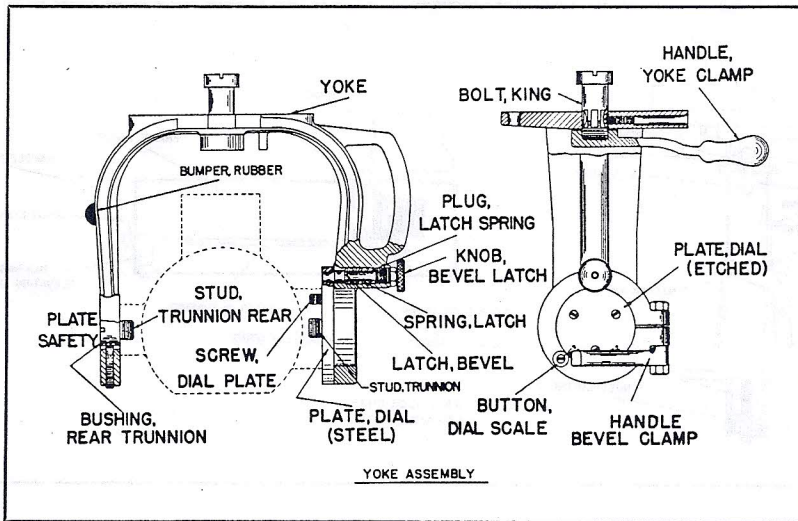
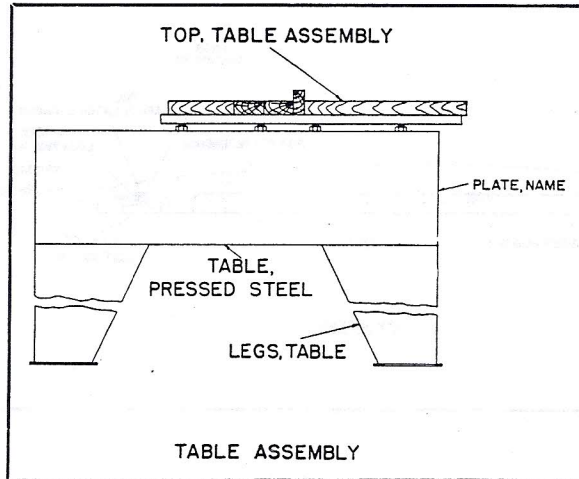


FIGURE 6



Note: Be Sure to Give Model and Serial Numbers When Ordering

MODEL R-2 PARTS LIST

(WHEN ORDERING ALWAYS INCLUDE SERIAL NO. OF MACHINE)

PART NO.	QUANTITY	NAME OF PART	USED ON MACHINE SERIAL NUMBER
BASE AND COLUMN ASSEMBLY			
118201	1	Base	All
118210	1	Bearing, Elevating Shaft	All
22013	2	Bearing, Thrust	All
118208	1	Bracket, Elevating	All
118205	1	Column	All
118213	1	Crank, Elevating	All
118215	2	Gear, Miter	All
101206	1	Gib, Column Key	All
39202	1	Handle, Rockwood	All
118214	1	Key, Column	All
118203	1	Nut, Elevating	All
42401	1	Pin, Groove	All
42216	1	Pin, Taper	All
118216	1	Pin, Locating	All
118211	1	Plate, Retaining	All
116213	1	Scale, Miter	All
118217	1	Screw, Elevating	All
118212	1	Shaft, Elevating	All Standard
118218	1	Shaft, Elevating	All Medium
ARM ASSEMBLY			
118301	1	Arm (37 ³ / ₄ ")	All Standard
118308	1	Arm (43 ³ / ₄ ")	All Medium
101104	1	Bumper, Rubber	All
30306	1	Bushing, Insulating End	All
118303	1	Cap, Arm End	All
118305	1	Cartridge, Locating Pin	All
101407	1	Knob, Locating Pin	All
101445	1	Pin, Safety Latch Locating	All
103103	3	Pointer, Reference	All
118105	1	Scale Rip for Fr. 228 Motor Only	All Medium
118102	1	Scale, Rip	All Standard

Note: Be Sure to Give Model and Serial Numbers When Ordering

MODEL R-2 PARTS LIST

(WHEN ORDERING ALWAYS INCLUDE SERIAL NO. OF MACHINE)

PART NO.	QUANTITY	NAME OF PART	USED ON MACHINE SERIAL NUMBER
ARM ASSEMBLY (Cont'd)			
118104	1	Scale Rip	All Medium
118103	1	Scale Rip for Fr. 228 Motor Only	All Standard
101422	1	Spacer, Locating Pin	All
101506	1	Spring, Locating Pin	All
30913	1	Strap, Cable	All
BEARING-HEAD ASSEMBLY			
22065	8	Bearing	All
118410	1	Bolt, Arm Clamp	All
118409	1	Clamp, Column	All
118408	1	Handle, Arm Clamp	All
118411	2	End Block	All
118403	1	Head, Bearing	All
118406	1	Latch, Miter	All
103405	1	Lock, Rip	All
116416	1	Pin, Centering	All
103431	1	Pointer, Rip	All
101306	2	Screw, Miter Adjusting	All
103428	8	Shaft, Bearing	All
118404	1	Shaft, Rip Lock	All
103408	1	Shoe, Clamp	All
103419	1	Screw, Clamp & Knob Assembly	All
103412	4	Studs, End Block	All
118401	1	Support, Bearing	All
103422	8	Washer, Bearing Shaft	All
103433	1	Washer	All
YOKE ASSEMBLY			
101123	1	Button, Dial Scale	All
101122	1	Bushing, Rear Trunnion	All
101104	1	Bumper, Rubber	All
118500	1	Bolt, King	All

Note: Be Sure to Give Model and Serial Numbers When Ordering

MODEL R-2 PARTS LIST

(WHEN ORDERING ALWAYS INCLUDE SERIAL NO. OF MACHINE)

PART NO.	QUANTITY	NAME OF PART	USED ON MACHINE SERIAL NUMBER
----------	----------	--------------	-------------------------------

YOKE ASSEMBLY (Cont'd)

101516	1	Handle, Bevel Clamp	All
118502	1	Handle, Yoke Clamp	All
101407	1	Knob, Bevel Latch	All
100420	1	Latch, Bevel	All
101120	1	Plate, Dial Steel	All
101118	1	Plate, Dial Etched	All
101116	1	Plate, Safety	All
100523	1	Plug, Latch Spring	All
42909	3	Screw, Dial Plate	All
101121	1	Stud, Trunnion	All
101506	1	Spring, Latch	All
118503	1	Yoke	All

TABLE ASSEMBLY

118700	1	Table, Pressed Steel 8" x 28" x 44"	Standard to 134993
118704	1	Table, Pressed Steel 8" x 28" x 44"	std. 134994 forward
118703	1	Table, Pressed Steel 8" x 36" x 48"	Medium to 134993
118707	1	Table, Pressed Steel 8" x 36" x 48"	med. 134994 forward
101715	4	Legs, Table	std. to 134993
116716	1	Top, Table Assembly	All Standard
103716	1	Top, Table Assembly	All Medium
101737	4	Legs, Table	std. 134994 forward
103786	4	Legs, Table	med. 134994 forward

Note: Be Sure to Give Model and Serial Numbers When Ordering

MODEL 8-3
PARTS LIST

WHEN ORDERING ALWAYS INCLUDE SERIAL NO. OF MACHINE

NAME OF MACHINE SERIAL NO. PART NO.

CORE ASSEMBLY

1	Core Housing	101810
1	Core Housing Gasket	101811
1	Core Housing Bolt	101812
1	Core Housing Nut	101813
1	Core Housing Washer	101814
1	Core Housing Seal	101815
1	Core Housing Pin	101816
1	Core Housing Spring	101817
1	Core Housing Shim	101818
1	Core Housing Key	101819
1	Core Housing Lock Washer	101820

TABLE ASSEMBLY

1	Table Housing	101821
1	Table Housing Gasket	101822
1	Table Housing Bolt	101823
1	Table Housing Nut	101824
1	Table Housing Washer	101825
1	Table Housing Seal	101826
1	Table Housing Pin	101827
1	Table Housing Spring	101828
1	Table Housing Shim	101829
1	Table Housing Key	101830
1	Table Housing Lock Washer	101831



DeWALT Inc.
Lancaster, Pa.
Subsidiary of **AMERICAN MACHINE & FOUNDRY COMPANY**