

DETAIL A  
TYPICAL OF FOUR  
FRONT CORNERS

DETAIL B

DETAIL OF  
FOOT ASSEMBLY

**CABINET ASSEMBLY**  
for  
**MODEL MB CABINET**

Part No. 9300

\* RED NUMBERS DENOTE ASSEMBLY SEQUENCE  
(See reverse side for details)

**DeWALT Inc.**

Lancaster, Pa.

Subsidiary of **AMERICAN MACHINE & FOUNDRY COMPANY**

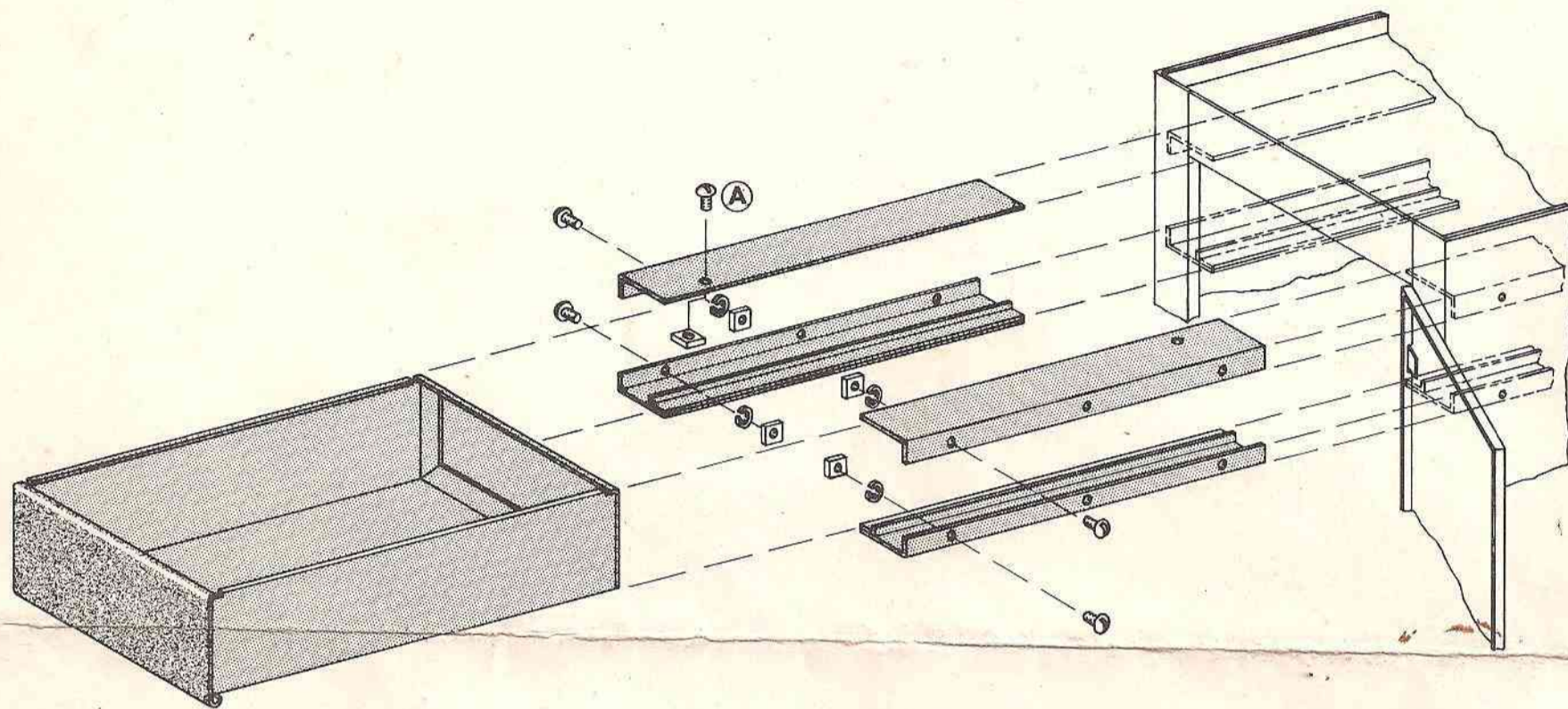
## STEP-BY-STEP ASSEMBLY SEQUENCE FOR AMF DE WALT MODEL 9300 STEEL CABINET

1. Assemble four feet (See "Detail Foot Assembly"). NOTE: Be sure slotted section is placed OUTSIDE lower half of foot assembly.
2. Bolt back section to left and right side plates. (See Detail "B"). NOTE: Right side ONLY is drilled to receive hinge bolts. Tighten all nuts with light finger pressure only, at this point.
3. Place partly assembled cabinet on floor, back section down. Slide bottom plate into position.
4. Bolt feet—previously assembled—to cabinet corners (See "Detail of Foot Assembly"). For convenience, install two rear feet first, front feet last.
5. Bolt front supports to cabinet sides. (See Detail "A"). NOTE: Front support with "DeWalt" Trademark plate goes at top. Now, securely tighten all previously inserted nuts and bolts, EXCEPT those holding front supports to cabinet sides.
6. Install all handle hardware on door as indicated. NOTE: Be sure to follow sequence of components as shown for best operation of handle and latch!
7. Bolt hinges to right side of cabinet. Tighten securely. Check door for proper closing, then secure two front supports accordingly.
8. Drop top plate on to upper flanges of cabinet. The top plate is not anchored, as the weight of the machine will hold it firmly in place.

# Drawer Assembly

Part Number: 9325

For Number 9300 Steel Cabinet



NOTE: Install Bolt and Nut (A) **AFTER** attaching drawer slides to cabinet sides and inserting drawer into position. This bolt serves as a "stop" to prevent drawer from falling from slides when fully open.



**DE WALT DIVISION**  
**AMERICAN MACHINE & FOUNDRY COMPANY**  
Lancaster, Pennsylvania  
IN CANADA: DeWALT CANADA LTD., GUELPH, ONTARIO

EXPORT: INTERNATIONAL DIVISION, AMERICAN MACHINE & FOUNDRY COMPANY, 261 MADISON AVENUE, NEW YORK, N. Y.