

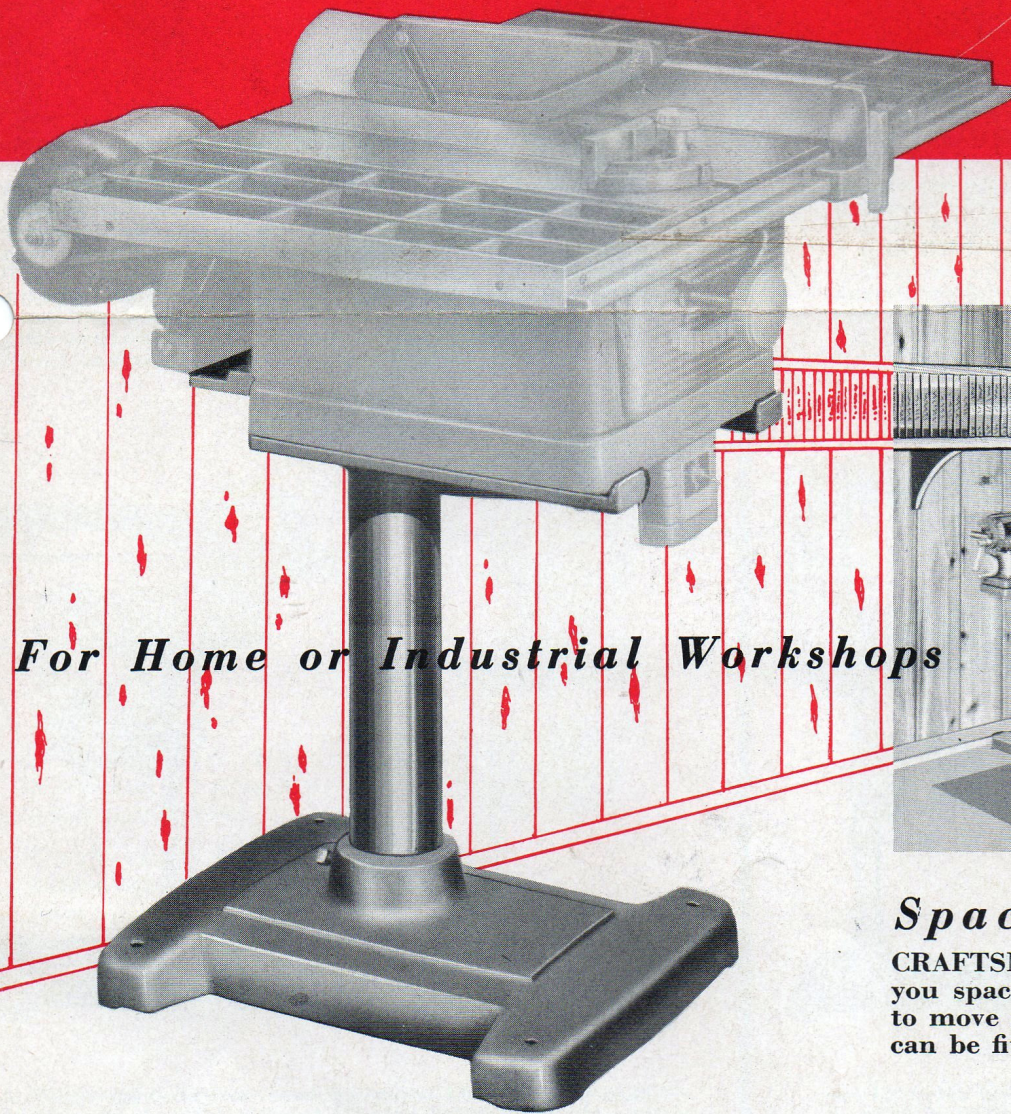
FEB 23 1955

CRAFTSMAN

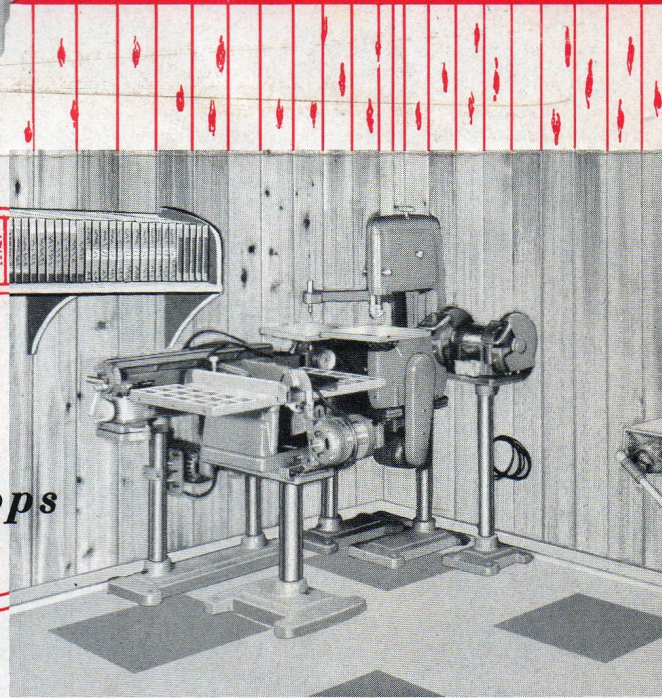
REG. U. S. PAT. OFF.

POWER TOOL STANDS

pedestal-type



For Home or Industrial Workshops



Space Saving Design!

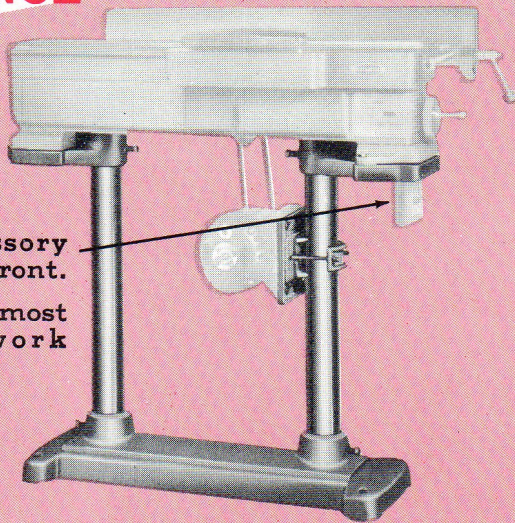
CRAFTSMAN pedestal-type Tool Stands save you space in your workshop. They are easy to move and as many as five tools or more can be fitted into one corner of your shop.

SEARS, ROEBUCK and COMPANY

Stores in all Principal Cities

You get ALL these Outstanding

CONVENIENCE



Power-Panl accessory can be mounted at front.

Tool supported at most comfortable work height.

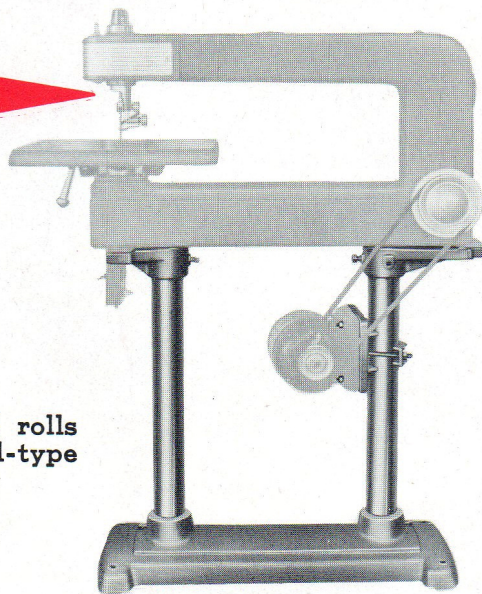
You have everything you need for proper operation of the power tool at your finger-tips. The CRAFTSMAN Power-Panl . . . the safer way to hook up power tools, motor, and tool light can be attached to the front of the tool stand. The motor mount, in most cases is located at the rear of the tool, or on the supporting column out of the way of the operator. The power tool is supported at a specially designed height that puts the tool at the most comfortable work level. Special design provides adequate leg room when operating tool. The accessory casters can be adjusted to compensate for uneven workshop floors (except No. 2964).

MODERN DESIGN



The illustrations clearly show you what we believe . . . these tool stands represent the last word in power tool stand development. Their streamlined, modern design has been carefully developed not only for appearance, but also for function. Our engineers have spent years studying the needs of power tool operators both in industrial and home workshops, in respect to utility, mobility and better appearance. These are the results of their efforts. We are proud to present these CRAFTSMAN Power Tool Stand to you, our customers, in the hope that they may help you to better enjoy and operate your power tools.

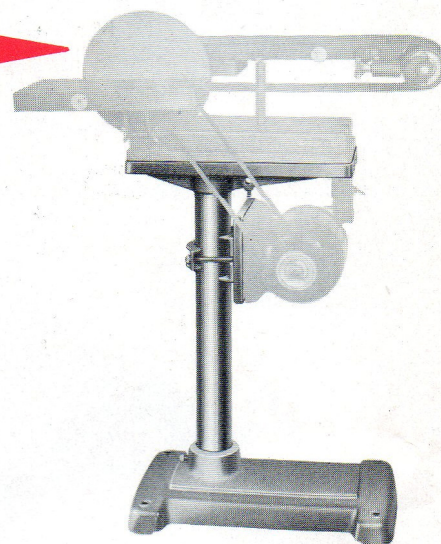
MOBILITY



Power tool stand rolls easily on four ball-type casters

Imagine the convenience of being able to move power tools in your shop from one place to another, easily and quickly. The CRAFTSMAN pedestal-type tool stands have rugged free-rolling ball-type casters which may be purchased as an accessory. These casters fit at each of the four corners of the base of all the tool stands offered. (Tool Stand No. 2964 for Grinders No. 1950, 1951, and 1952 is not used with casters.) They screw easily into place and can be adjusted for uneven workshop floors. Be sure to purchase casters with every tool stand . . . you'll be amazed at the ease of movement.

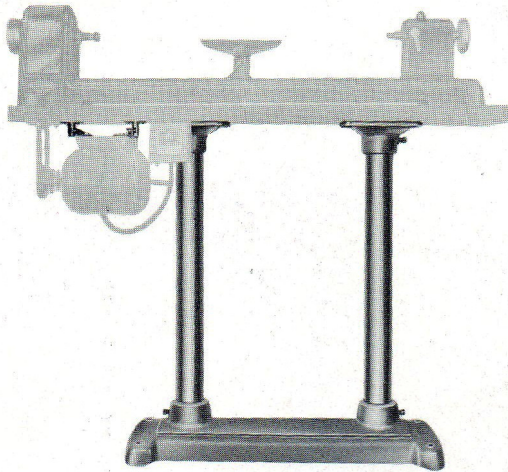
SAFETY



Now you can add safety to your workshop power tools. Most CRAFTSMAN pedestal-type Tool Stands have for an accessory specially designed guards that fit over the V-belt leading from the motor to the power tool. This sturdy guard fits compactly and rigidly over the belt providing maximum safety for the operator. Check the handy table on the back page to see which guard you should order for the power tools in your workshop. Additional safety is of course provided for by the scientifically designed base that has no projecting parts over which the operator can trip.

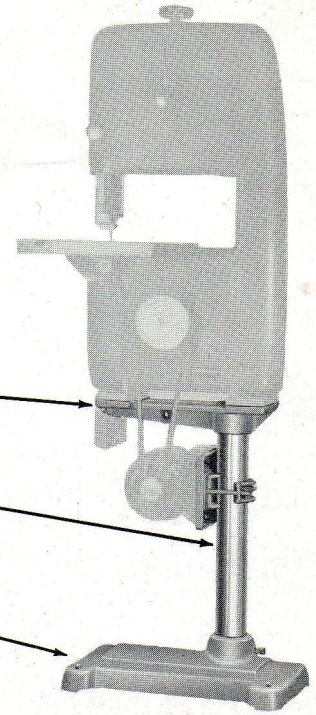
g Features!

ECONOMY



In addition to the many other features offered by CRAFTSMAN pedestal-type tool stands . . . they actually cost less than many wood-type stands. We believe if you compare the prices of wood-type tool stands, or attempt to make one yourself, that you will find that dollar for dollar these tool stands can save you money. They last much longer than wood tool stands, they give better support to the power tool which means less ruined work and they permit more tools to be used in a smaller area with greater safety. These tool stands can be adapted to many other uses such as work tables, large benches, etc.

RIGIDITY



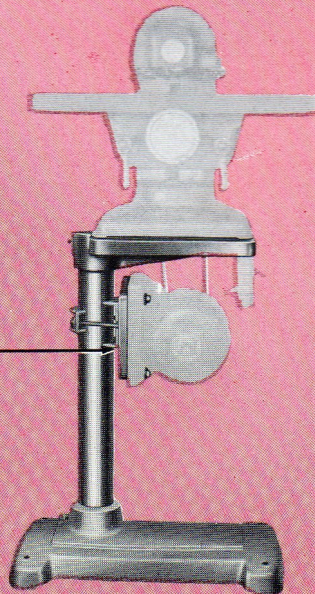
Cast iron bracket with holes for mounting tool.

Sturdy steel column gives rigid support for bracket.

Cast iron base with holes for casters or bolting to workshop floor.

You get extra rigidity for your power tool. Rigidity that's so important when doing metal work or fine wood work. The heavy cast iron base is designed to provide maximum support for the power tool . . . the high quality steel column is made from heavy gauge steel . . . and the cast iron bracket supports the tool absolutely level. For even more rigidity the base can be bolted to your workshop floor (this is recommended for tool stand No. 2964). Compare all other tool stands that are offered today . . . we believe you'll find none offer the firmness of support that is offered by CRAFTSMAN.

COMPACTNESS

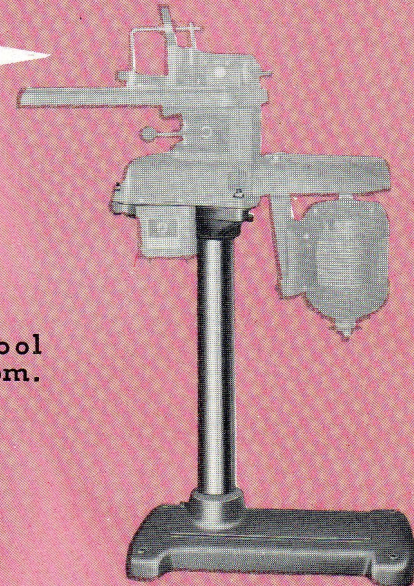


Motor can be mounted on stand with power tool.

Cast iron base takes less working area.

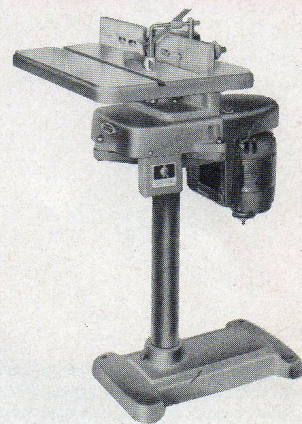
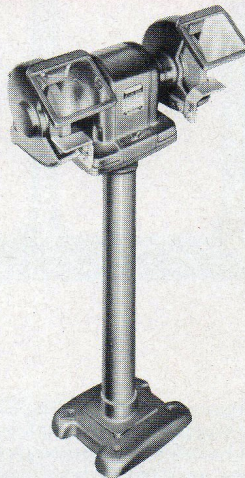
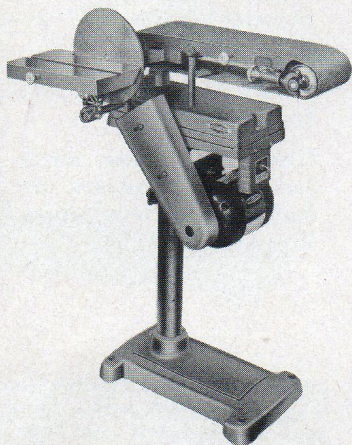
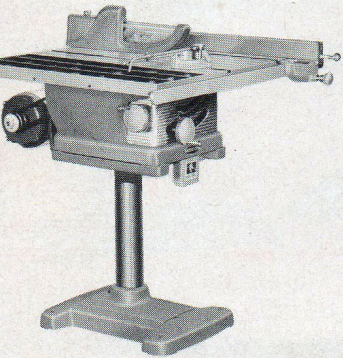
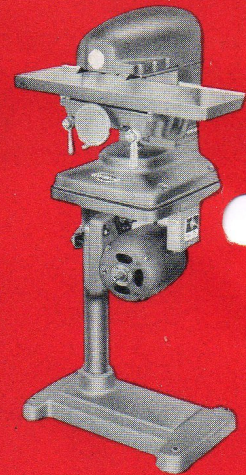
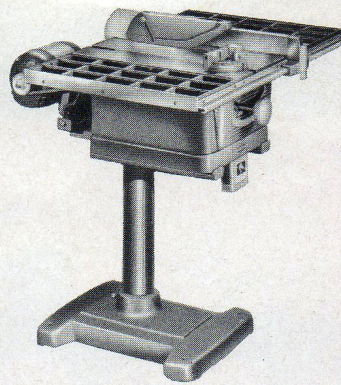
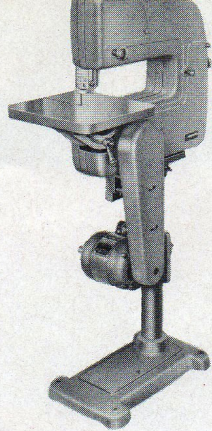
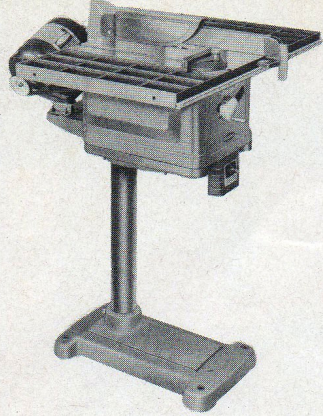
Engineers designed these tool stands to provide you more room in your workshop. The motor mount fits snugly under the power tool or to the rear . . . all on one unit. The heavy cast iron base supporting the tool can be moved around on casters to any place in your workshop. When you're not using the tools, four or five of them can be stored in one corner making room for other projects. The massive design castings support your power tools in about one-third less space required by ordinary wood benches . . . and up to one-half the space of other lighter metal tool stands sold today.

SELECTION



Fifteen different tool stands to choose from.

There is a CRAFTSMAN pedestal-type Tool Stand for almost every CRAFTSMAN power tool in your workshop. We believe this is the largest assortment offered by anyone today. Each tool stand has been scientifically designed and engineered to provide the maximum in compactness, comfort, and operating convenience. Each tool stand is made with the same exactness from massive cast iron sections and high quality steel. These stands can be used in machine shops, garages, factories, and home workshops and are Specially designed for use with CRAFTSMAN Power Tools only.



Purchase these tool stands or complete units from your nearest

SEARS RETAIL STORE OR MAIL ORDER HOUSE.

TOOL NAME	Tool Catalog Number	Tool Stand Catalog Number	Tool Guard Catalog Number
10-inch Tilting Arbor Bench Saw	2752	2954	None
8-inch Tilting Arbor Bench Saw	2216	2956	None
9-inch Tilting Arbor Bench Saw	2424	2203	None
2-wheel Band Saw	2428	2957	2907
3-wheel Band Saw	2430	2223	2907
6-inch Jointer-Planer	2390	2960	2908
4-inch Jointer-Planer	2334	2959	2907
Thickness Planer	2370	2224	None
Wood Shaper	2392	2226	None
6-inch Sander	2235	2240	2948
18-inch Jig Saw	2315	2958	2911
24-inch Jig Saw	2344	2227	2947
Wood Turning Lathe	2160	2249	None
Wood Turning Lathe	2307	2249	None
Grinders	1950, 1951 and 1952	2964	None

