

PARTS LIST FOR CRAFTSMAN BENCH VISES

MODEL NUMBERS

506.51801

506.51811

The Model Number of these vises will be found cast into the left side of the Back Jaw of the vise. Always mention the Model Number when communicating with us regarding your CRAFTSMAN BENCH VISE or when ordering repair parts.

HOW TO ORDER REPAIR PARTS

All parts listed herein may be ordered through SEARS, ROEBUCK AND CO. When ordering parts by mail from the mail order house which serves the territory in which you live, selling prices will be furnished on request or parts will be shipped at prevailing prices and you will be billed accordingly.

WHEN ORDERING REPAIR PARTS, ALWAYS GIVE THE FOLLOWING INFORMATION AS SHOWN IN THIS LIST:

1. The PART NUMBER
2. The PART NAME
3. The MODEL NUMBER 506.51801
OR 506.51811
4. The NAME of item - Bench Vise

NOTE: Do not return complete vise for repair.

COAST TO COAST NATION-WIDE SERVICE FROM SEARS FOR YOUR CRAFTSMAN BENCH VISE



SEARS, ROEBUCK AND CO. backs up your investment with quick, expert mechanical service and genuine CRAFTSMAN replacement parts.

If and when you need repairs or service, call on us to protect your investment in this fine piece of equipment.

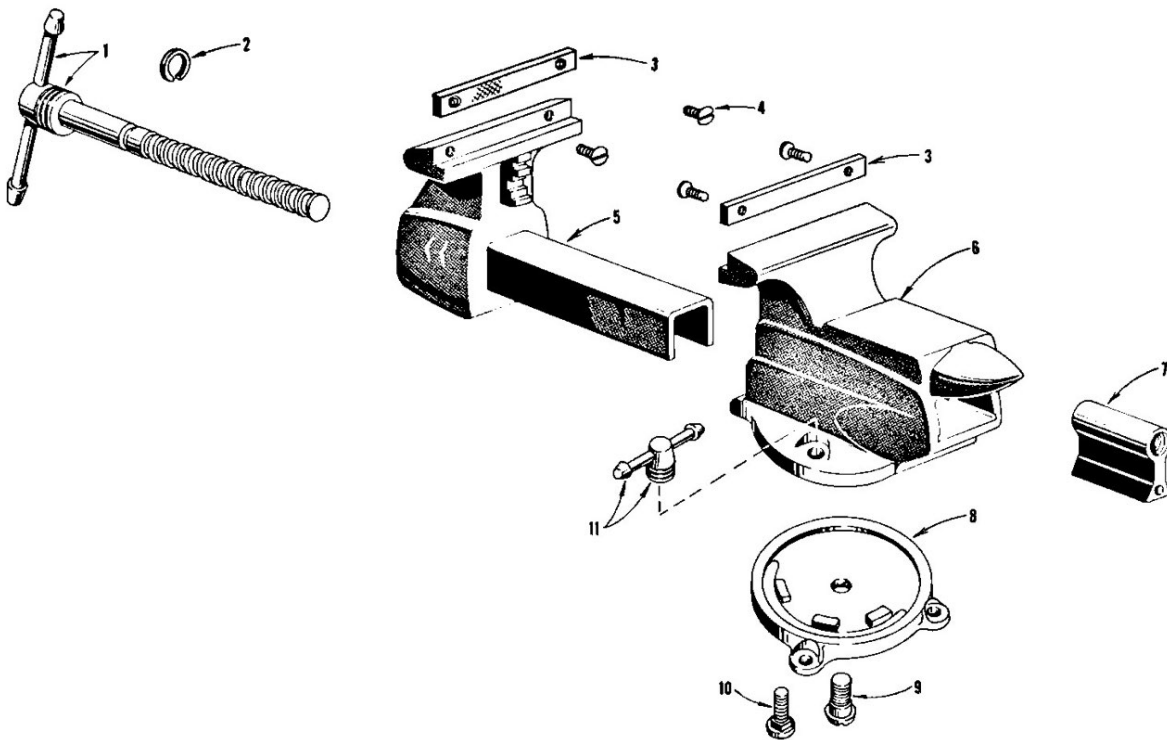
SEARS, ROEBUCK AND CO. - U.S.A.
SIMPSON-SEARS, LTD.

CRAFTSMAN BENCH VISE—MODEL NUMBER 506.51801
CRAFTSMAN BENCH VISE—MODEL NUMBER 506.51811

WHEN ORDERING REPAIR PARTS, ALWAYS GIVE THE FOLLOWING INFORMATION AS SHOWN IN THIS LIST:

- | | |
|--------------------|---|
| 1. THE PART NUMBER | 3. THE MODEL NUMBER 506.51801
OR 506.51811 |
| 2. THE PART NAME | 4. THE NAME OF ITEM - BENCH VISE |

Do not use Key numbers when ordering Repair Parts, always use Part Numbers.



PARTS LIST

Key No.	Part Numbers		Description
	For Model 506.51801	For Model 506.51811	
1	51801-23	51811-23	Screw and Handle, with Collar
2	51801-25	51811-25	Collar only
3	51801-41	51811-41	Pair Jaw Faces, with Screws
4	51801-42	51811-42	Mounting Screws only for Jaw Faces
5	51801-1	51811-1	Front Jaw, complete with Jaw Face
6	51801-2	51811-2	Back Jaw, complete with Jaw Face
7	51801-4B	51811-4	Main Vise Nut
8	51801-3	51811-3	Swivel Base Plate
9	51801-50	51811-50	Center Bolt for swivel base
10	51801-51	51811-51	Lock Bolt for swivel base
11	51801-52	51811-52	Lock Nut and Handle for swivel base
	506-01	506-01	Parts List - not illustrated