

Sears

OWNERS
MANUAL

MODEL NO.
315.17480

CAUTION:
Read Rules for
Safe Operation
and Instructions
Carefully



CRAFTSMAN[®]

ROUTER

DOUBLE INSULATED

Introduction
Operation
Maintenance
Repair Parts



Designed exclusively for and sold only by
SEARS, ROEBUCK AND CO., Chicago, IL 60684 U.S.A. and SIMPSONS-SEARS LIMITED, Toronto, Canada

FULL ONE YEAR WARRANTY ON CRAFTSMAN ROUTER

If this Craftsman Router fails to give complete satisfaction within one year from the date of purchase, **RETURN IT TO THE NEAREST SEARS STORE THROUGHOUT THE UNITED STATES** and Sears will replace it, free of charge.

If this router is used for commercial or rental purposes this warranty applies for only 90 days from the date of purchase.

This warranty gives you specific legal rights, and you may also have other rights which vary from state to state.

SEARS, ROEBUCK AND CO.
BSC 41 - 3
SEARS TOWER
CHICAGO, IL 60684

INTRODUCTION

DOUBLE INSULATION is a concept in safety, in electric power tools, which eliminates the need for the usual three wire grounded power cord and grounded supply system. Wherever there is electric current in the tool there are two complete sets of insulation to protect the user. All exposed metal parts are isolated from the internal metal motor components with protecting insulation.

GENERAL

Your router is a versatile woodworking tool which will give you years of trouble-free performance. It is engineered with the professional in mind, but its ease of operation allows the amateur to produce work which is beautiful and precise.

We ask that you take a few minutes to read the

IMPORTANT—Servicing of a tool with double insulation requires extreme care and knowledge of the system and should be performed only by a qualified service technician. For service we suggest you return the tool to your nearest Sears Store for repair. Always use original factory replacement parts when servicing.

following instructions so you can better enjoy the use of this new router. The booklet "How To Do More With Your Power Router" is packed with the tool. This booklet describes and illustrates many operations which can be performed with the Craftsman router.

RULES FOR SAFE OPERATION

1. **KNOW YOUR POWER TOOL** — Read owner's manual carefully. Learn its applications and limitations as well as the specific potential hazards peculiar to this tool.
2. **GROUND ALL TOOLS — UNLESS DOUBLE-INSULATED.** If tool is equipped with three-prong plug, it should be plugged into a three-hole electrical receptacle. If adapter is used to accommodate two-prong receptacle, the adapter wire must be attached to a **known** ground. (Usually the screw securing receptacle cover plate). **Never** remove third prong.
3. **KEEP GUARDS IN PLACE** and in working order.
4. **KEEP WORK AREA CLEAN.** Cluttered areas and benches invite accidents.
5. **AVOID DANGEROUS ENVIRONMENT.** Don't use power tool in damp or wet locations or expose to rain. Keep work area well lit.
6. **KEEP CHILDREN AWAY.** All visitors should be kept safe distance from work area.
7. **STORE IDLE TOOLS.** When not in use, tools should be stored in dry, high or locked-up place—out of reach of children.
8. **DON'T FORCE TOOL.** It will do the job better and safer at the rate for which it was designed.
9. **USE RIGHT TOOL.** Don't force small tool or attachment to do the job of a heavy duty tool.
10. **WEAR PROPER APPAREL.** No loose clothing or jewelry to get caught in moving parts. Rubber gloves and footwear are recommended when working outdoors.
11. **USE SAFETY GLASSES** with most tools. Also face or dust mask if cutting operation is dusty.
12. **DON'T ABUSE CORD.** Never carry tool by cord or yank it to disconnect from receptacle. Keep cord from heat, oil and sharp edges.
13. **SECURE WORK.** Use clamps or a vise to hold work. It's safer than using your hand and it frees both hands to operate tool.
14. **DON'T OVERREACH.** Keep proper footing and balance at all times.
15. **MAINTAIN TOOLS WITH CARE.** Keep tools sharp at all times, and clean for best and safest performance. Follow instructions for lubricating and changing accessories.
16. **DISCONNECT TOOLS** when not in use, before servicing; when changing attachments, blades, bits, cutters, etc.
17. **REMOVE ADJUSTING KEYS AND WRENCHES.** Form habit of checking to see that keys and adjusting wrenches are removed from tool before turning it on.
18. **AVOID ACCIDENTAL STARTING.** Don't carry plugged-in tools with finger on switch. Be sure switch is off when plugging in.
19. **OUTDOOR USE EXTENSION CORDS.** When tool is used outdoors, use only extension cords suitable for use outdoors and so marked.

OPERATION

CAUTION: The router motor can be damaged by debris being sucked into the motor if the router is placed upside-down on the work surface before the motor stops.

INSTALLING/REMOVING CUTTERS

Disconnect Router from power supply before servicing.

1. Place the router upside down on a table and insert shank of cutter to within $\frac{1}{8}$ " of bottom of collet.
2. Hold the output shaft by depressing locking lever until it engages notch in lock nut. See figure 1.
3. Tighten the collet nut securely with the wrench provided.
4. Remove cutters by loosening collet nut enough to allow cutter to slip easily from collet. **Should cutter not slip easily from collet continue loosening nut until nut presses against ring on collet and forces collet and cutter from router.**

The collet is machined to precision tolerances to fit cutters with $\frac{1}{4}$ " diameter shank size. Do not tighten the collet to hold cutters that are undersized. The result may be a bent collet which will not accept standard cutters. **DANGER:** Undersized cutters may not tighten securely. This could result in cutter being thrown from tool causing serious injury.

DEPTH OF CUT ADJUSTMENTS

We recommend that the cuts be made at a depth not exceeding $\frac{1}{8}$ " and that several passes be made to reach the required depth.

Disconnect router from power supply before adjusting for depth of cut.

1. Place the router on a flat surface and loosen the lock knob (C). See figure 2.
2. Turn the height adjusting knob (A) until tip of router bit touches surface.
3. Adjust the indicator knob (B) to "0".
4. Position the router so that the bit can extend below the base for desired depth setting.
5. Turn height adjusting knob slightly past desired depth setting, then back to the exact setting. The distance the cutter moves can be read on the scale. Each mark indicates $\frac{1}{64}$ inch change in setting.
6. Tighten lock knob (C).

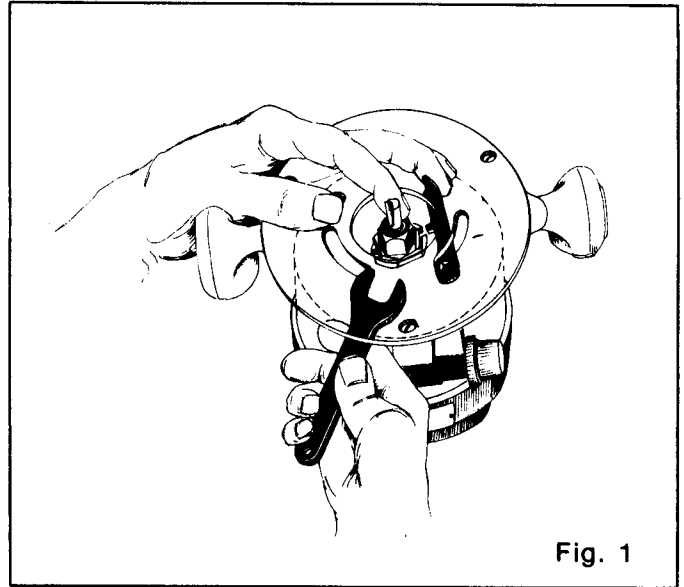


Fig. 1

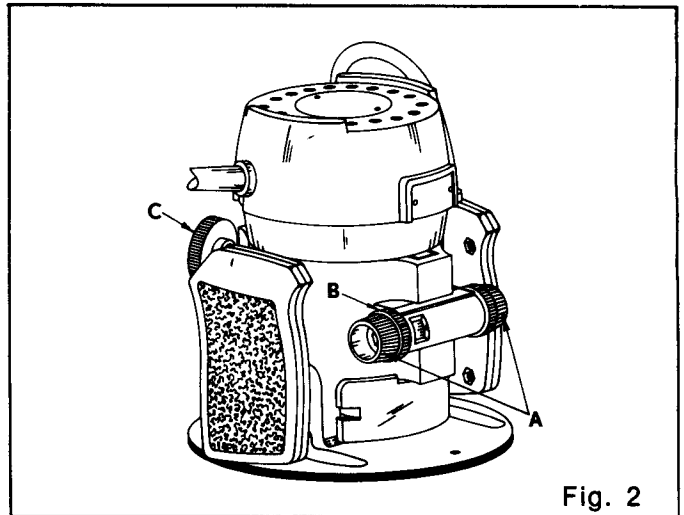


Fig. 2

INSTALLING EYESHIELD

A clear plastic eyeshield is provided for eye protection. It is designed to fit the opening of the router base just below the adjustment knobs. To install, squeeze the shield at each end so that the two tabs fit into the opening, then release.

MAINTENANCE

WHEN SERVICING USE ONLY IDENTICAL REPLACEMENT PARTS.

PROPER CARE OF CUTTERS

Get faster more accurate cutting results by keeping cutters clean and sharp. Remove any accumulated pitch and gum from cutters with kerosene.

When sharpening a cutter, sharpen only the inside of the cutting edge. Never grind the outside diameter.

Be sure when sharpening the end of a cutter to grind the clearance angle the same as originally ground.

A cutter sharpening kit (cat. # 25169) is available from Sears Catalog Order or Retail Store.



The operation of any Power Tool can result in foreign objects being thrown into the eyes, which can result in severe eye damage. Always wear safety glasses or eye shields before commencing power tool operation. We recommend Wide Vision Safety Mask for use over spectacles or standard safety glasses, available at Sears Retail or Catalog Stores.

BRUSH REPLACEMENT

Disconnect router from power supply.

1. Remove three screws (A) as shown in Fig. 3 and lift end cap (B) from router.
2. Lift brush tube (C) out of its nest enough so that tabs (D) can be bent out to permit removal of brush assembly (E).
3. Insert new brush assembly into brush tube and bend tab down to hold brush assembly in place.
4. Replace the brush tube in its nest.
5. Make sure bend reliefs on cords are correctly located and that no wires will contact the motor.
6. Replace end cap and screws.

POWER CORD REPLACEMENT

Disconnect router from power supply.

1. Remove end cap as shown in Fig. 3.
2. Remove two screws and clamping plate that secures cord in router. See Fig. 4.
3. Note location and connection of each lead. When replacing power cord (F) the white cord lead must be connected to the white motor lead and the black cord lead to the black lead of the handle cord (G).
4. Remove wire connectors from above mentioned leads.
5. Place bend relief (H) on cord and make lead connections.
6. Place cord in router and allow end of cord to extend far enough inside router to be clamped by clamping plate.
7. Replace clamping plate and secure with screws.
8. Replace end cap and screws.

HANDLE CORD AND SWITCH REPLACEMENT

Disconnect router from power supply.

Handle cord replacement is the same as power cord replacement except lead connections are different. The handle cord red lead must be connected to motor red lead and the white lead to motor black lead.

Connection of handle cord to switch and switch replacement is as follows:

1. Remove screws (I) and nuts (J) and then remove handle cover (K). See Fig. 5.
2. Note location of grommet (L) and strain relief (M) in handle and how each lead is connected to switch.
3. Remove leads from switch by inserting a 1/32" diameter pin or nail into switch lead receptacle as shown in Fig. 5 and pulling on the lead. Remove pin or nail with a twisting, pulling motion.
4. Make sure grommet is on cord and push each lead as far as possible into proper receptacle in switch.
5. Locate switch in handle and place leads so they won't be pinched when handle cover is replaced.
6. Make sure grommet (L) and strain relief (M) are in place and replace handle cover, screws and nuts.

WORK LIGHT CORD ASSEMBLY AND BULB REPLACEMENT

Disconnect router from power supply.

1. To replace bulb, remove screws (N) and remove work light from router. See Fig. 6.
2. Remove socket assembly from light housing.
3. With bulb pointing toward you, push bulb in and turn to the left to remove.
4. If work light cord is being replaced refer to Fig. 5 and handle cord and switch replacement.

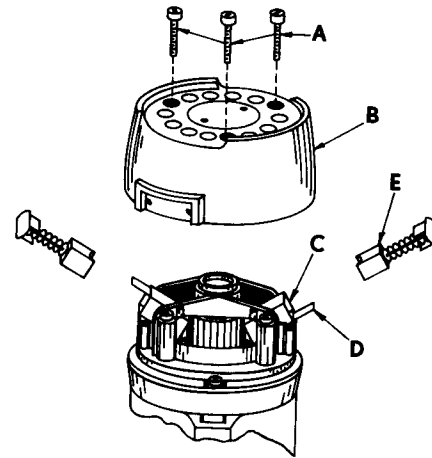


Fig. 3

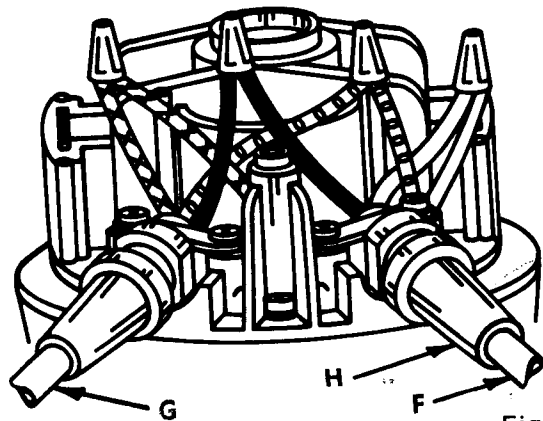


Fig. 4

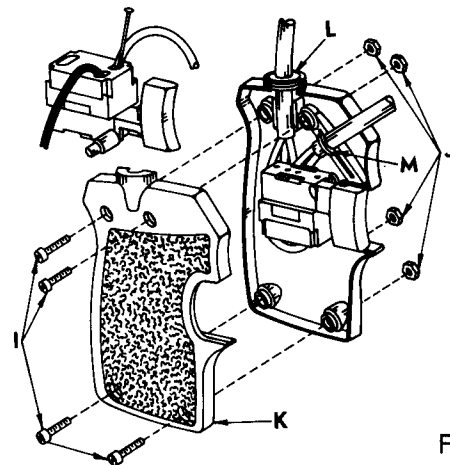


Fig. 5

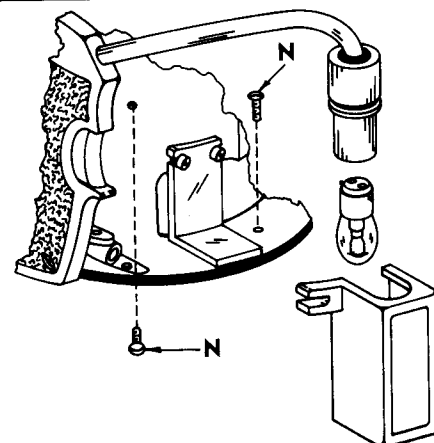


Fig. 6

LUBRICATION

All the bearings in this tool are lubricated with a sufficient amount of high grade lubricant for the life

of the unit under normal operating conditions, therefore, no further lubrication is required.

GENERAL

Only the parts shown on parts list, page seven, are intended to be repaired or replaced by the customer. All other parts represent an important part of the double insulation system and should be serviced only by a qualified service technician.

Avoid using solvents when cleaning plastic parts. Most plastics are susceptible to various types of commercial solvents and may be damaged by their use. Use clean cloths to remove dirt, carbon dust, etc.

When electric tools are used on fiberglass boats, sports cars, etc., it has been found that they are subject to accelerated wear and possible premature failure, as the fiberglass chips and grindings are highly abrasive to bearings, brushes, commutators, etc. Consequently it is not recommended that this tool be used for continuous production work on any fiberglass material. During any use on fiberglass it is extremely important that the tool is cleaned frequently by blowing with an air jet.

The clamp bar (Key No. 25 on parts list, page 7) assures smooth elevation of the motor with the motor unit unclamped in the base. It is pre-set at the factory to provide light pressure against the motor housing. The pressure holds the motor unit in place, unclamped, yet allows depth adjustments to be made easily.

After prolonged use the clamp bar may wear slightly and allow the motor unit to move too easily. To adjust the pressure, loosen the two hex nuts (Key No. 31) and tighten the two set screws (Key No. 29). Check for ease of depth adjustment and tighten the hex nuts.

EXTENSION CORDS














The use of any extension cord will cause some loss of power. To keep the loss to a minimum and to prevent tool overheating, follow the recommended cord sizes on the chart at right. When tool is used outdoors, use only extension cords suitable for outdoor use and so marked. Extension cords are available at Sears Catalog Order or Retail Stores.

Extension Cord Length	Wire Size A.W.G.
25-50 Feet	16
50-75 Feet	14
75-100 Feet	12

THE FOLLOWING RECOMMENDED ACCESSORIES WERE AVAILABLE AT THE TIME THIS MANUAL WAS PRINTED.

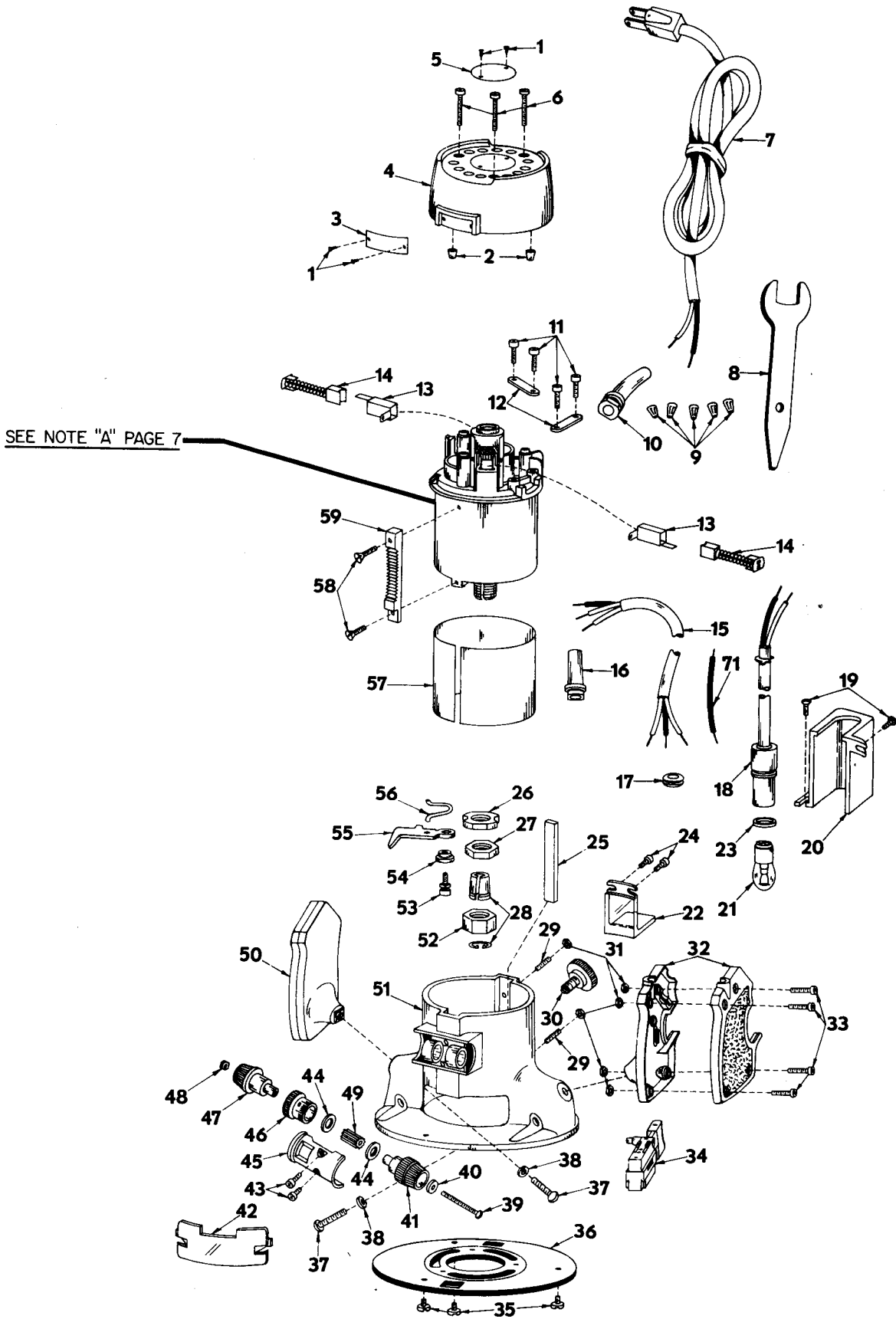
1/2-inch Dovetail Template (9 2571)
 1/4-inch Finger Template (9 2574)
 Butt Hinge Template (9 2575)
 Butt Hinge Template (9 2564C)
 Laminated Plastic Trimmer (9 25732)
 Light Attachment (9 25176)
 Carrying Case (9 1458)
 Router-Crafter (9 2525C)

Template Guide Bushings (9 25069)
 Adjustable Edge Guide (9 25172)
 Rout-A-Form Pantograph (9 25183)
 Template Set (9 25182)
 Sharpening Kit (9 25169)
 Trammel Point (9 25174)
 Adjustable Edge Guide with Contour
 Finger (9 25173)

COMBI-NATION PANEL CUTTER	VEINING BITS	CORE BOX BIT	STRAIGHT FACE BITS	COMBI-NATION STRAIGHT, BEVEL CUTTER	HINGE MORTISING BIT	DOVETAIL CUTTER BITS	RABBET BIT	OGEE	COVE BIT	BEAD QUARTER-ROUND BITS	ARBORS
 2554-1/4" *2554-1/4"	 25599-1/16" 2559-1/8" 25592-3/16" 25593-7/32" 25594-3/4" DOUBLE END 25545 45°60° V-GROOVE	 25596-1/2" V-GROOVE CHAMFER  2557-1/2" *25578-1/2"	 2552-1/8" 25521-1/4" 25522-3/8" 25523-1/2" 25529-3/4" *25524-1/4" *25525-5/16" *25526-3/8" *25527-1/2"	 FOR FORMICA *2541 VENEER CUTTER STRAIGHT *25413 BEVEL *25412	 1/2" 2555	 2553-1/4" 25531-1/2"	 1/4, 5/16, 3/8" 25581 *25582	 3/16" 25585 ROMAN O 25587-5/32" 25588-1/4"	 25572-3/8" 25571-1/2" *25576-3/8" *25575-1/2" 45° CHAMFER BIT 25589	 25563-1/4" 25562-3/8" 25561-1/2" *25566-3/8" *25565-1/2"	 2589 WITH 2 BALL BEARINGS (1/2 & 5/8") 25895
* CARBIDE TIPPED BITS											

CAUTION: The use of attachments or accessories not listed above might be hazardous.

CRAFTSMAN ROUTER—MODEL NUMBER 315.17480



CRAFTSMAN ROUTER—MODEL NUMBER 315.17480

The Model Number will be found on a plate attached to the End Cap. Always mention the Model Number in all correspondence regarding your ROUTER or when ordering repair parts.

SEE BACK PAGE FOR PARTS ORDERING INSTRUCTIONS

PARTS LIST

Key No.	Part Number	Description	Quan.	Key No.	Part Number	Description	Quan.
1	1-795247-10	Drive Screw	4	31	1-706404-07	*Hex Nut (#8-32)	
2	1-617834-01	Rubber Bumper	2			**STD541008	.6
3	2-612151-01	Logo Plate	1	32	6-611492-00	Power Handle Assembly	
4	4-606488-08	End Cap	1			(Includes Both Halves)	1
5	2-611156-01	Data Plate	1	33	1-703432-58	Screw (#8-32 x 5/8 Fil. Hd.)	4
6	1-616445-02	Screw (#8-18 x 1 Fil. Hd. T.C.)	3	34	2-623814-04	Switch	1
7	2-614703-02	Cord	1	35	1-623863-01	*Screw (#10-32 x 1/4 Pan Hd.)	
8	1-623813-03	Wrench	1			STD511102	3
9	1-623173-01	Wire Connector (For #16 and/or #18 Wire)	5	36	3-612191-01	Subbase	1
10	2-613651-01	Bend Relief	1	37	1-930517-11	*Screw (1/4-20 x 7/8 Rd. Hd.)	2
11	1-616081-11	*Screw (#8-18 x 5/8 Pan Hd. T.C.)	4	38	1-703473-32	Lock Washer **STD551125	2
12	1-616287-01	Cord Clamp Plate	2	39	1-703768-802	*Screw (#6-32 x 2 Rd. Hd.)	1
13	3-607857-01	Brush Tube	2	40	1-621721-03	Washer	1
14	2-612567-01	Brush Assembly	2	41	3-606535-01	Height Adjusting Knob, Right	1
15	1-610980-01	Power Handle Cord	1	42	2-606688-01	Eye Shield	1
16	2-622824-01	Bend Relief	1	43	1-622931-02	Screw (#6-32 x 1/4 Fil. Hd.)	2
17	1-885883-26	Grommet	1	44	1-623808-01	O-Ring	2
18	1-611123-01	Light Housing and Cord Assembly	1	45	3-607409-01	Height Indicator Cover	1
19	1-613931-04	*Screw (#8-32 x 5/16 Rd. Hd.)	2	46	3-606533-01	Indicator Knob	1
20	2-611144-01	Light Shroud	1	47	3-606536-01	Height Adjusting Knob, Left	1
21	1-610951-01	Light Bulb (Standard Automotive No. 1004)	1	48	1-623281-02	*Hex Nut (#6-32)	1
22	2-611129-01	Work Light Lens	1	49	2-606534-01	Height Adjusting Pinion	1
23	1-624080-01	Friction Band	1	50	1-610696-01	Handle Assembly	1
24	1-622140-32	Screw (#8-32 x 1/4 Fil. Hd.)	2	51	2-606468-05	Base	1
25	2-606525-01	Clamp Bar	1	52	1-606489-04	Collet Nut	1
26	1-623793-01	Lock Nut	1	53	1-940038-804	Screw (#8-32 x 5/8 Fil. Hd.)	3
27	1-623794-02	Jam Nut	1	54	1-623795-02	Spacer	1
28	6-610662-00	Collet with Retaining Ring	1	55	2-623796-02	Locking Lever	1
29	1-726676-02	*Set Screw (#8-32 x 7/16 Hex Socket)	2	56	1-623797-01	Spring	1
30	2-606508-03	Lock Knob	1	57	2-623804-01	Housing Skirt	1
				58	1-703428-25	*Screw (#8-32 x 1/2 Flat Hd.)	2
				59	3-606532-01	Gear Rack	1
				71	1-606885-02	Lead	1
					2-620263-800	Owners Manual (Not Illustrated)	

NOTE: "A"—The assembly shown represents an important part of the Double Insulated System. To avoid the possibility of alteration or damage to the System, service should be performed by your nearest Sears Electric Motor Shop/Specialty Repair Center. Contact your nearest Catalog Order or Retail Store.

*Standard Hardware Item—May Be Purchased Locally

**Available From Div. 98—Source 980.00

Sears

OWNERS
MANUAL

SERVICE

MODEL NO.
315.17480

HOW TO ORDER
REPAIR PARTS

CRAFTSMAN[®]

ROUTER
DOUBLE INSULATED

Now that you have purchased your Router, should a need ever exist for repair parts or service, simply contact any Sears Service Center and most Sears, Roebuck and Co. or Simpsons-Sears Limited stores. Be sure to provide all pertinent facts when you call or visit.

The model number of your Router will be found on the plate attached to the end cap.

WHEN ORDERING REPAIR PARTS, ALWAYS GIVE THE FOLLOWING INFORMATION:

- PART NUMBER
 - PART DESCRIPTION
 - MODEL NUMBER
 - NAME OF ITEM
- 315.17480 Router

All parts listed may be ordered from any Sears Service Center and most Sears stores.

If the parts you need are not stocked locally, your order will be electronically transmitted to a Sears Repair Parts Distribution Center for handling.