



PARTS LIST

of

TOOL ROOM

and

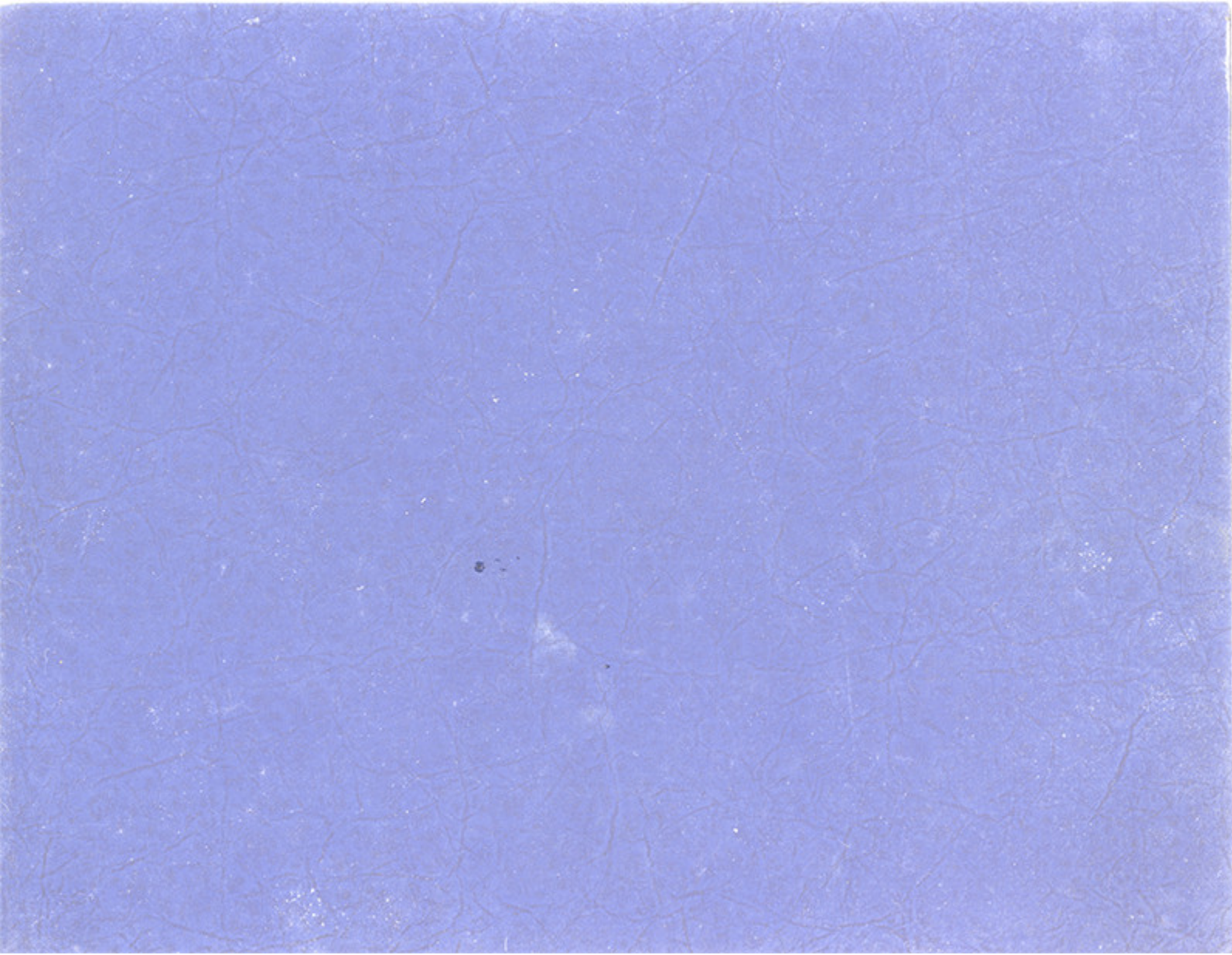
INDUSTRIAL

SHAPERS



INCORPORATED

IRVINGTON 11, N. J., U. S. A.



PARTS LIST
of
TOOL ROOM
and
INDUSTRIAL
SHAPERS

Serial #3343A7



INSTRUCTIONS for ORDERING PARTS

This booklet has been prepared to facilitate ordering repair parts for your GOULD & EBERHARDT Tool Room and Industrial Shapers. To correctly fill your repair parts orders

WE MUST HAVE THE FOLLOWING INFORMATION

- 1—Quantity required
- 2—Part name
- 3—Key number opposite part name
- 4—Sheet number on which part is shown
- 5—Serial number of shaper for which part is required.
(Location shown on opposite page.)

Example:

If you wish to replace the tool head feed screw, your order should read:

One screw #27, Unit assembly sheet S-2, for 16" Industrial Shaper #2576A2

If necessary, telegraph as follows:

RUSH ONE SCREW 27, SHEET S-2 FOR 2576A2

The design of some of the units will, of course, change from time to time and the illustration may differ slightly from the part in your machine. However, by specifying the part name, key number, sheet number, and especially the serial number of the machine, we can properly identify the part you require. A number may be stamped or cast on the part and can also be indicated on your order, although this is not essential if the above information is included.

We endeavor to provide you with quick, accurate service to the best of our ability and believe that this book provides the means for correctly interpreting your requirements.

TOOL HEAD UNIT
Sheet 5-2

SERIAL NUMBER

RAM, LEVER & LINKAGE
Sheet 5-3

WISE UNIT
Sheet 5-6

LUBRICATION & PUMP
Sheet 5-11

CROSS RAIL, WORK TABLE &
SLIDE for TOOL ROOM & 16"
& 20" INDUSTRIAL SHAPERS
Sheet 5-4A

MAIN CRANK GEARS,
CRANK PLATE &
STROKE ADJUSTING UNIT
Sheet 5-10

CROSS RAIL, WORK TABLE &
SLIDE for 24" & 36"
INDUSTRIAL SHAPERS
Sheet 5-4B

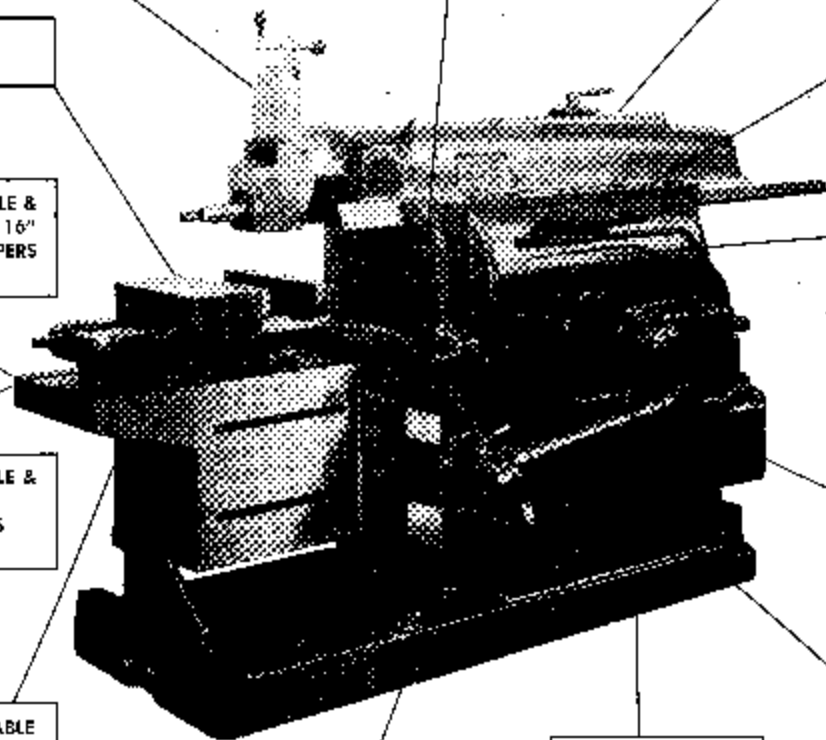
PULLEY, CLUTCH & BRAKE
(Selective Transmission)
Sheet 5-9

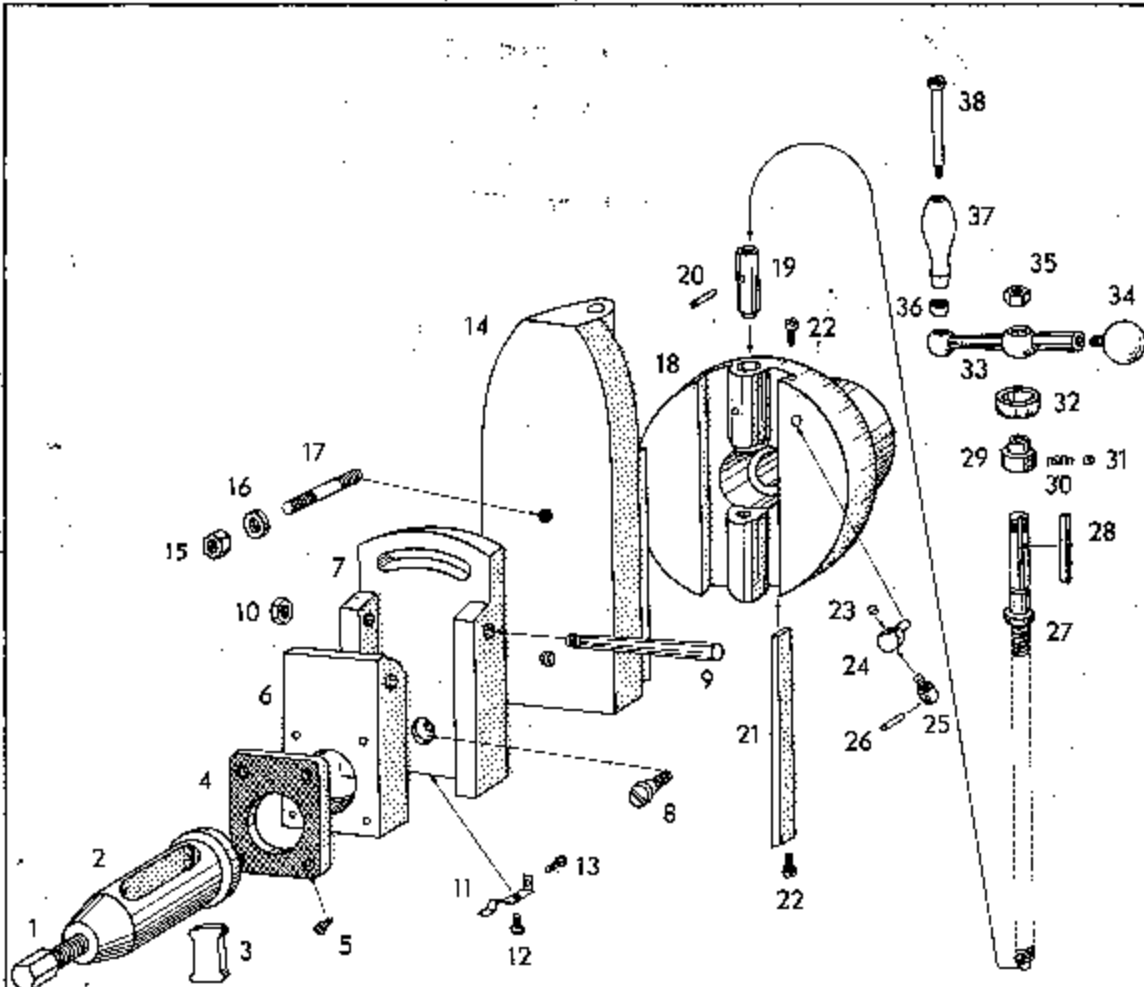
UNIVERSAL TABLE
Sheet 5-5

FEED UNIT
Sheet 5-8

FEED & RAPID
POWER TRAVERSE
Sheet 5-7

FRAME, BASE &
MOTOR DRIVE UNIT
Sheet 5-12





KEY NO.	Part Name	KEY NO.	Part Name
1	Screw	20	Pin
2	Post	21	Pin
3	Plate	22	Screw
4	Plate	23	Pin
5	Screw	24	Block
6	Block	25	Screw
7	Bearing	26	Pin
8	Screw	27	Screw
9	Pin	28	Key
10	Nut	29	Bush
11	Spring	30	Spring
12	Screw	31	Plunger
13	Screw	32	Disc
14	Carriage	33	Handle
15	Nut	34	Ball
16	Washer	35	Nut
17	Stud	36	Collar
18	Bearing	37	Handle
19	Nut	38	Pin

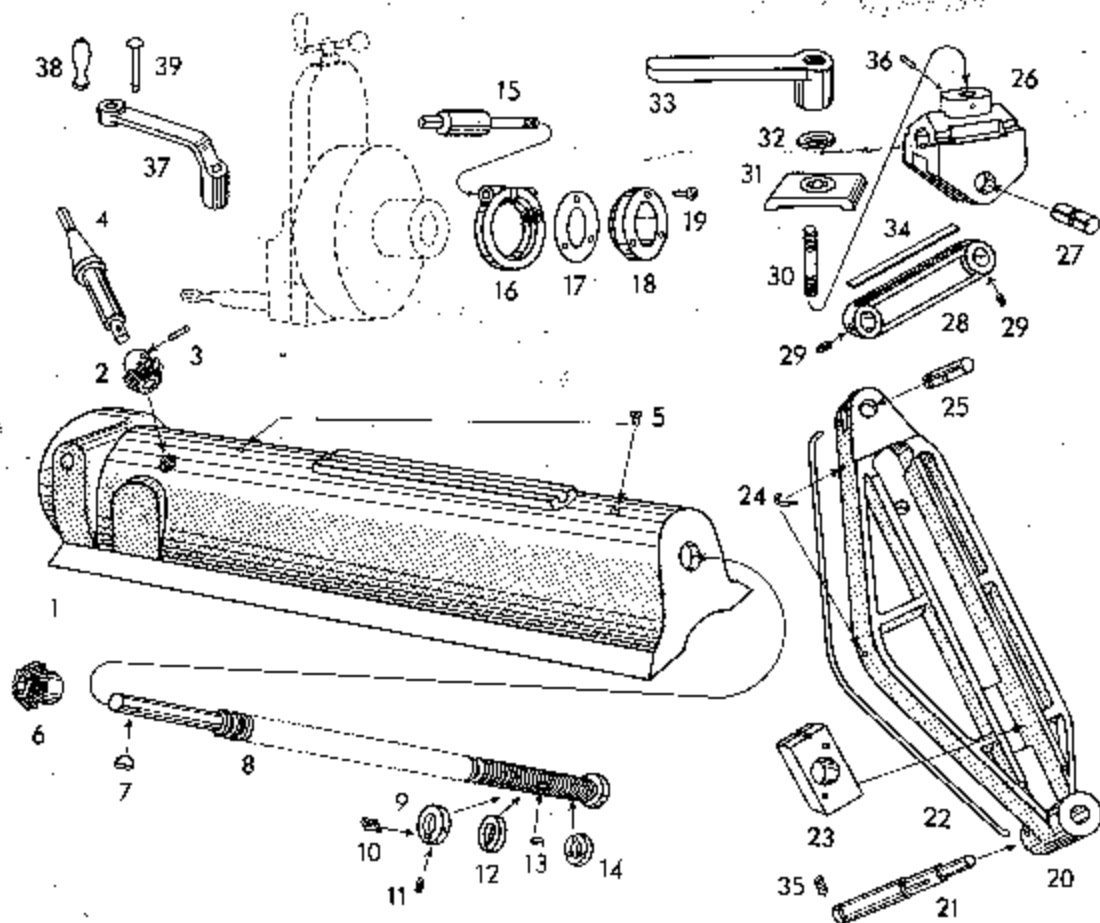
WHEN ORDERING PARTS ALWAYS SPECIFY

- 1—Quantity required 2—Part name
 3—Key number opposite part name
 4—This sheet number
 5—Machine serial number (see sheet S-1)

TOOL HEAD UNIT
for TOOL ROOM & INDUSTRIAL SHAPERS

SHEET NUMBER

S-2



KEY NO.	Part Name	KEY NO.	Part Name
1	Ram	20	Lever
2	Gear	21	Shaft
3	Pin	22	Tubing
4	Shaft	23	Block
5	Oil Cup	24	Staple
6	Gear	25	Pin
7	Key	*26	Block
8	Screw	27	Pin
*9	Nut	*28	Lever
*10	Key	29	Screw
11	Screw	*30	Stud
12	Washer	31	Plate
13	Key	32	Washer
14	Collar	33	Handle
15	Clamp	*34	Strip
16	Shim	35	Screw
17	Collar	*36	Pin
18	Screw	37	Lever
19	Screw	38	Handle
		39	Pin

NOTE* The following must be purchased as one unit:
 9 & 10
 26, 30 & 36
 29 & 34

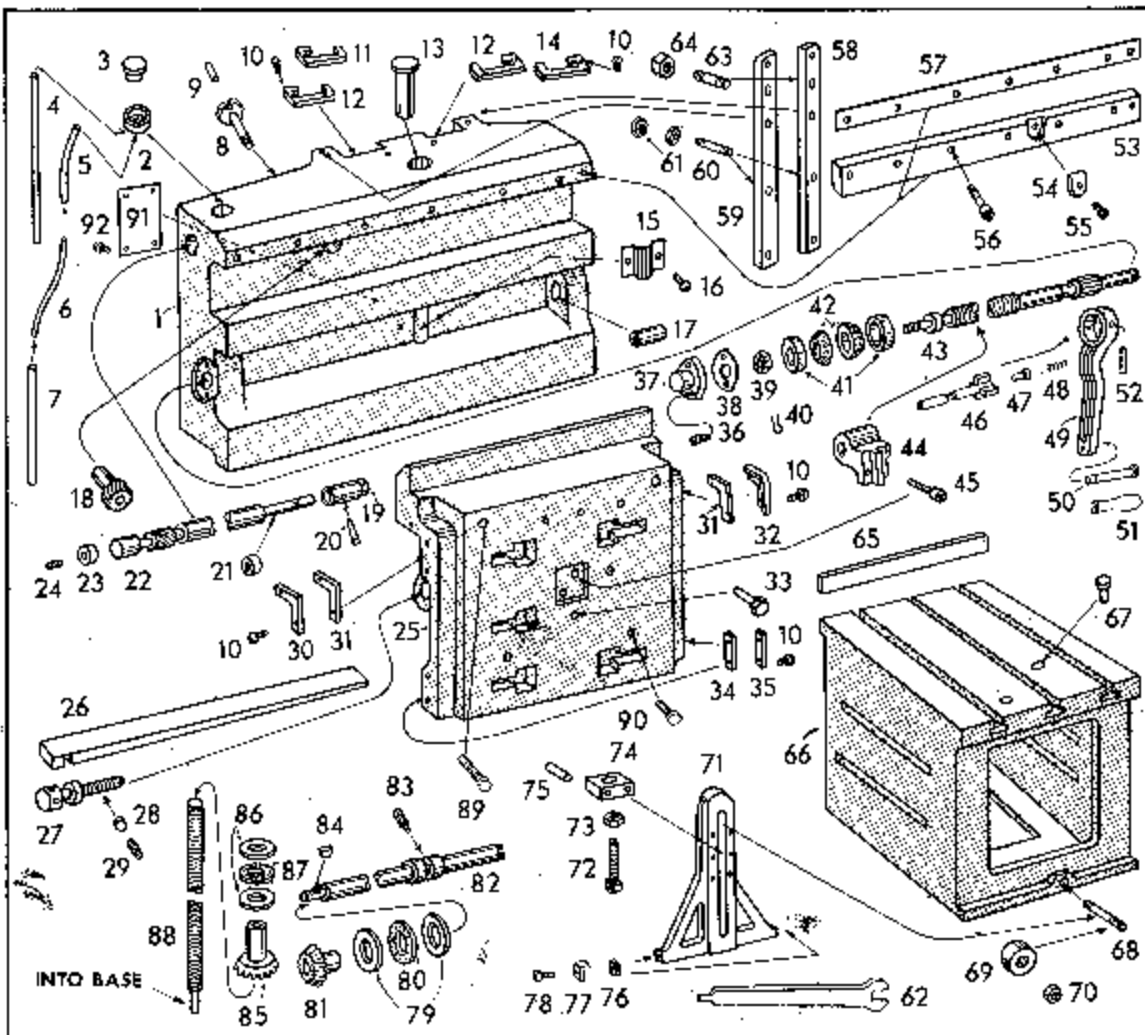
WHEN ORDERING PARTS ALWAYS SPECIFY

- 1—Quantity required
- 2—Part name
- 3—Key number opposite part name
- 4—This sheet number
- 5—Machine serial number (see sheet S-1)

RAM, LEVER & LINKAGE
for TOOL ROOM & INDUSTRIAL SHAPERS

SHEET NUMBER

S-3



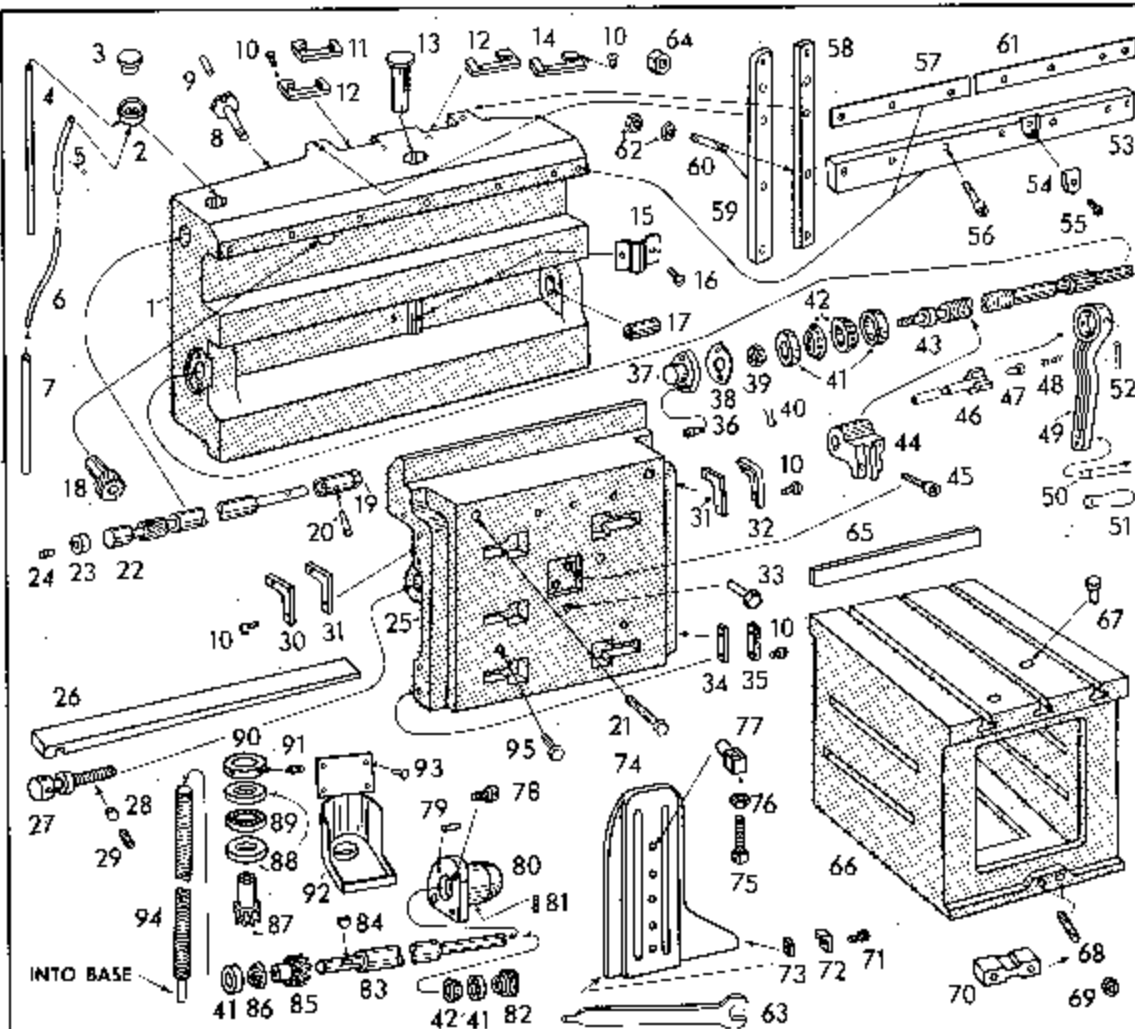
KEY NO.	Part Name	KEY NO.	Part Name
1	Cross Rail	46	Clutch
2	Distrib- utor	47	Plunger
3	Cap	48	Spring
4	Tubing	49	Lever
5	Hose	50	Pin
6	Hose	51	Handle
7	Tubing	52	Pin
8	Borew	53	Strap
9	Pin	54	Strip
10	Screw	55	Screw
11	Wiper	56	Screw
12	Felt	57	Shim
13	Cap	58	Strap
14	Wiper	59	Strap
15	Guard	60	Stud
16	Screw	61	Nut
17	Bush	62	Wrench
18	Gear	63	Stud
19	Collar	64	Nut
20	Pin	65	Leather
21	Collar	66	Table
22	Worm	67	Pin
23	Shaft	68	Stud
24	Plug	69	Collar
25	Screw	70	Nut
26	Carriage	71	Support
27	Clb	72	Screw
28	Screw	73	Nut
29	Plug	74	Block
30	Wiper	75	Pin
31	Felt	76	Felt
32	Wiper	77	Wiper
33	Pin	78	Screw
34	Felt	79	Race
35	Wiper	80	Gage
36	Screw	81	Gear
37	Cover	82	Shaft
38	Shim	83	Screw
39	Nut	84	Key
40	Pin	85	Gear
41	Cap	86	Race
42	Bearing	87	Cage
43	Screw	88	Pin
44	Nut	89	Screw
45	Screw	90	Screw
		91	Quad
		92	Screw

NOTE * On TR Shapers 25 & 60 are integral and 23, 34, 35, 58 to 70 inc. not furnished

WHEN ORDERING PARTS ALWAYS SPECIFY
 1—Quantity required 2—Part name
 3 Key number opposite part name
 4—This sheet number
 5—Machine serial number (see sheet S-1)

**CROSS RAIL, WORK TABLE & SLIDE
 for TOOL ROOM & 16" & 20" INDUSTRIAL SHAPERS**

**SHEET NUMBER
 S-4A**



KEY NO.	Part Name	KEY NO.	Part Name
1	Cross Rail	47	Plunger
2	Distributor	48	Spring
3	Cap	49	Lever
4	Tubing	50	Pin
5	Hose	51	Handle
6	Hose	52	Pin
7	Tubing	53	Strap
8	Screw	54	Plug
9	Pin	55	Screw
10	Screw	56	Screw
11	Wiper	57	Shim
12	Felt	58	Strap
13	Cap	59	Strap
14	Wiper	60	Stud
15	Guard	61	Shim
16	Screw	62	Nut
17	Bush	63	Wrench
18	Gear	64	Nut
19	Collar	65	Leather
20	Pin	66	Table
21	Screw	67	Pin
22	Worm	68	Stud
23	Plug	69	Nut
24	Screw	70	Strap
25	Carriage	71	Screw
26	Gib	72	Wiper
27	Screw	73	Felt
28	Nut	74	Support
29	Plug	75	Screw
30	Screw	76	Nut
31	Wiper	77	Block
32	Felt	78	Screw
33	Wiper	79	Pin
34	Pin	80	Bearing
35	Felt	81	Screw
36	Wiper	82	Screw
37	Screw	83	Shaft
38	Screw	84	Key
39	Screw	85	Worm
40	Screw	86	Worm
41	Screw	87	Bearing
42	Screw	88	Gear
43	Screw	89	Race
44	Screw	90	Cage
45	Screw	91	Collar
46	Screw	92	Screw
47	Screw	93	Guard
48	Screw	94	Pin
49	Screw	95	Screw
50	Screw		
51	Screw		
52	Screw		
53	Screw		
54	Screw		
55	Screw		
56	Screw		
57	Screw		
58	Screw		
59	Screw		
60	Screw		
61	Screw		
62	Screw		
63	Screw		
64	Screw		
65	Screw		
66	Screw		
67	Screw		
68	Screw		
69	Screw		
70	Screw		
71	Screw		
72	Screw		
73	Screw		
74	Screw		
75	Screw		
76	Screw		
77	Screw		
78	Screw		
79	Screw		
80	Screw		
81	Screw		
82	Screw		
83	Screw		
84	Screw		
85	Screw		
86	Screw		
87	Screw		
88	Screw		
89	Screw		
90	Screw		
91	Screw		
92	Screw		
93	Screw		
94	Screw		
95	Screw		

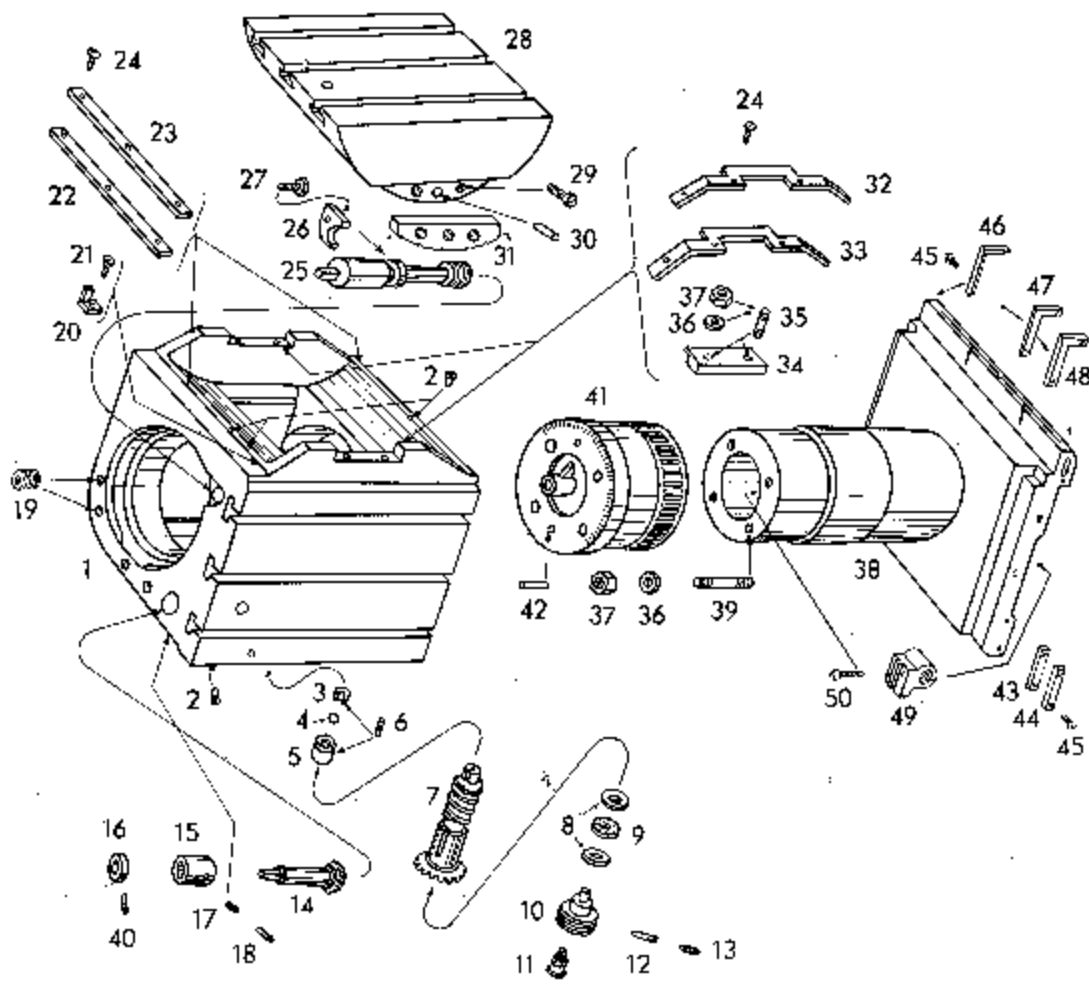
WHEN ORDERING PARTS ALWAYS SPECIFY

- 1—Quantity required
- 2—Part name
- 3—Key number opposite part name
- 4—This sheet number
- 5—Machine serial number (see sheet S-1)

**CROSS RAIL, WORK TABLE & SLIDE
for 24" & 36" INDUSTRIAL SHAPERS**

SHEET NUMBER

S-4B



KEY NO.	Part Name	KEY NO.	Part Name
1	Table	28	Strap
2	Oil Cup	29	Screw
3	Plug	29	Tilting Top
4	Ball	29	Screw
5	Bush	20	Pin
6	Screw	21	Segment
7	Worm Shaft	32	Wiper
8	Rece	33	Felt
9	Cage	31	Strap
10	Screw	30	Stud
11	Grease Cup	36	Washer
12	Rod	37	Nut
13	Screw	38	Carriage
14	Gear Shaft	39	Stud
15	Bush	40	Pin
16	Collar	41	Bearing
17	Screw	42	Pin
18	Screw	43	Felt
19	Bush	44	Wiper
20	Pointer	45	Screw
21	Screw	46	Wiper
22	Wiper	47	Felt
23	Felt	48	Wiper
24	Screw	49	Nut
25	Worm Shaft	50	Screw

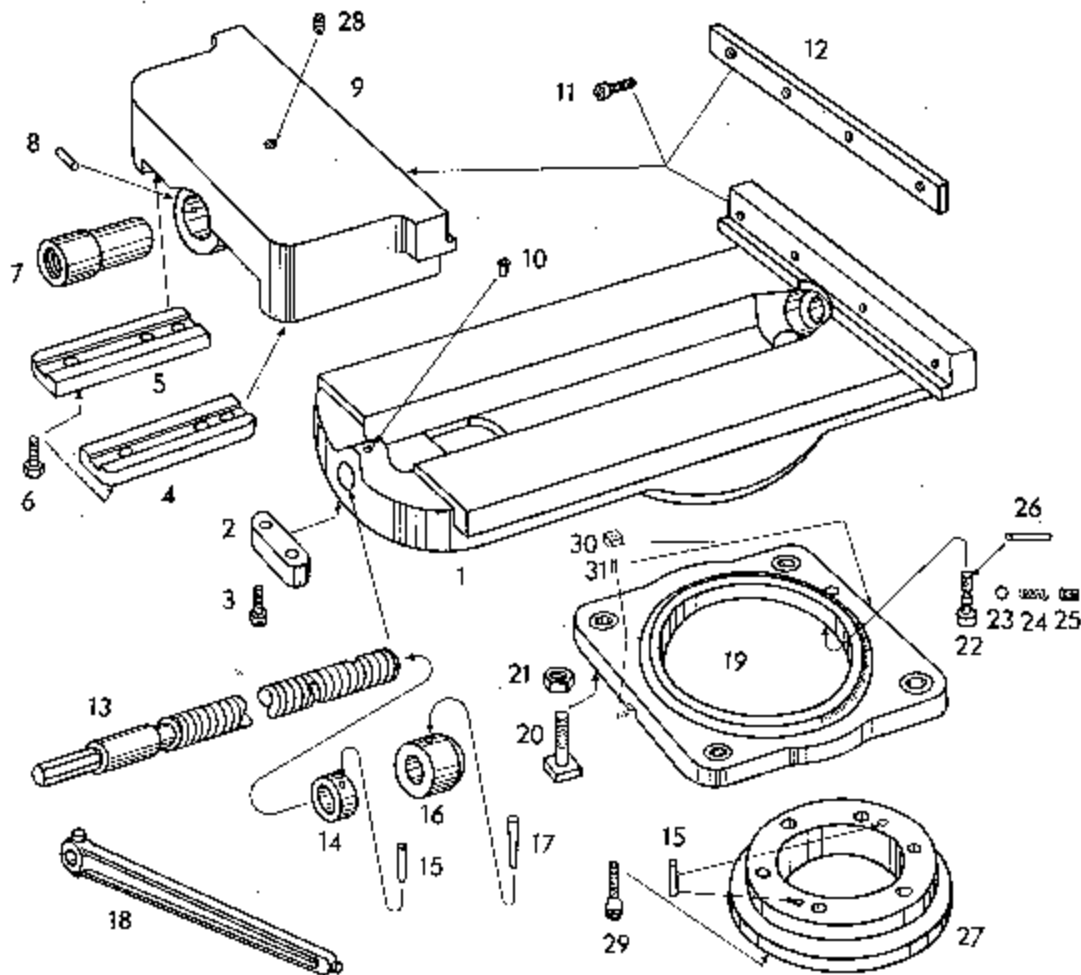
WHEN ORDERING PARTS ALWAYS SPECIFY

- 1—Quantity required 2—Part name
 3—Key number opposite part name
 4—This sheet number
 5—Machine serial number (see sheet S-1)

UNIVERSAL TABLE
 for TOOL ROOM & INDUSTRIAL SHAPERS

SHEET NUMBER

S-5



KEY NO	Part Name	KEY NO	Part Name
1	Body	16	Nut
2	Block	17	Pin
3	Screw	18	Wrench
4	Strap	19	Plate
5	Strap	20	Bolt
6	Screw	21	Nut
7	Nut	22	Flanger*
8	Pin	23	Bell*
9	Jaw	24	Spring*
10	Oil Cup	25	Screw*
11	Screw	26	Pin*
12	Plate	27	Ring
13	Screw	28	Screw
14	Nut	29	Screw
15	Pin	30	Key
		31	Pin

* On machines with Tilting Tops only

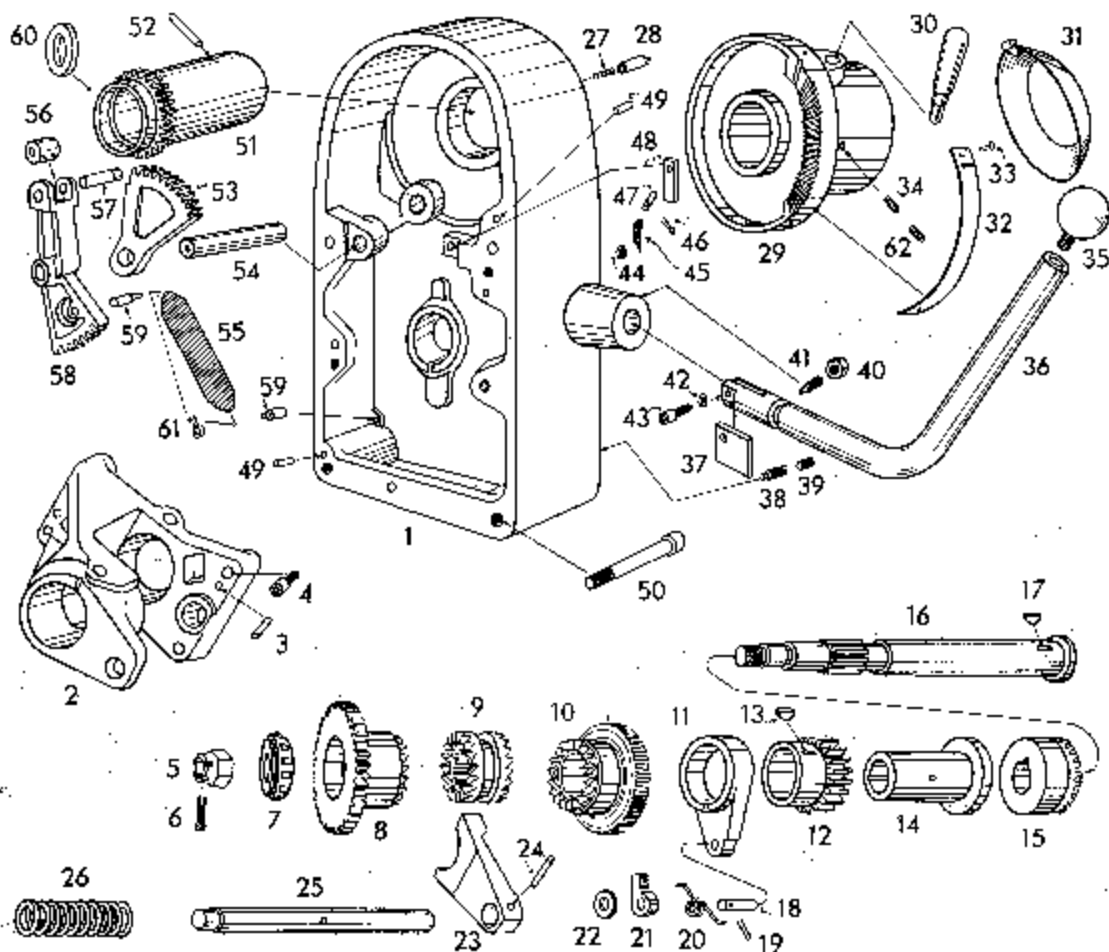
WHEN ORDERING PARTS ALWAYS SPECIFY

- 1—Quantity required
- 2—Part name
- 3—Key number opposite part name
- 4—This sheet number
- 5—Machine serial number (see sheet S-1)

**WISE UNIT
for TOOL ROOM & INDUSTRIAL SHAPERS**

SHEET NUMBER

S-6



KEY NO.	Part Name	KEY NO.	Part Name
1	Cone	31	Cover
2	Bearing	32	Plate
3	Pin	33	Pin
4	Screw	34	Screw
5	Nut	35	Ball
6	Pin	36	Rod
7	Gear	37	Plate
8	Bearing	38	Screw
9	Gear	39	Screw
10	Ratchet	40	Nut
11	Lever	41	Screw
12	Gear	42	Washer
13	Key	43	Screw
14	Push	44	Washer
15	Gear	45	Spring
16	Shaft	46	Pin
17	Key	47	Pin
18	Pin	48	Lever
19	Pin	49	Pin
20	Spring	50	Screw
21	Pawl	51	Gear
22	Washer	52	Pin
23	Lever	53	Sector
24	Pin	54	Shaft
25	Shaft	55	Spring
26	Spring	56	Roller
27	Spring	57	Pin
28	Plunger	58	Arm
29	End	59	Pin
30	Wheel	60	Washer
30	Handle	61	Eye
		62	Screw

NOTE: The following must be purchased as one unit:

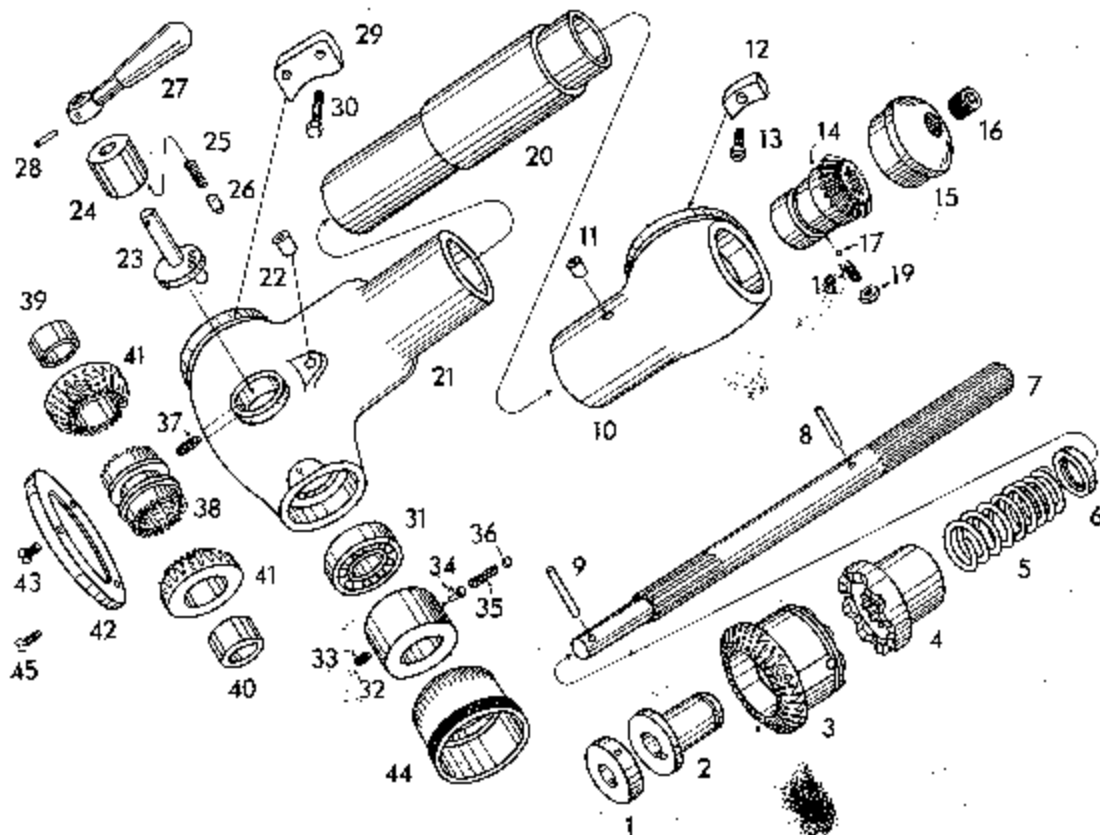
29 & 30

55 & 61

WHEN ORDERING PARTS ALWAYS SPECIFY
 1—Quantity required 2—Part name
 3—Key number opposite part name
 4—Thin sheet number
 5—Machine serial number (see chart S-1)

**FEED & RAPID POWER TRAVERSE
 for TOOL ROOM & INDUSTRIAL SHAPERS**

**SHEET NUMBER
 S-7**



KEY NO.	Part Name	KEY NO.	Part Name
1	Collar	21	Shaft
2	Dash	22	Dash
3	Gear	25	Spring
4	Clutch	26	Plunger
5	Spring	27	Handle
6	Collar	28	Pin
7	Shaft	29	Strap
8	Pin	30	Screw
9	Pin	31	Bearing
10	Bearing	32	Collar
11	Oil Cup	33	Screw
12	Strap	34	Plunger
13	Screw	35	Spring
14	Gear	36	Plunger
15	Cap	37	Screw
16	Plug	38	Clutch
17	Ball	39	Dash
18	Screw	40	Dash
19	Nut	41	Gear
20	Tube	42	Cover
21	Bearing	43	Screw
22	Oil Cup	44	Dial
		45	Screw

NOTE* The following must be purchased as one unit:
39 & 41
40 & 41
40 & 41

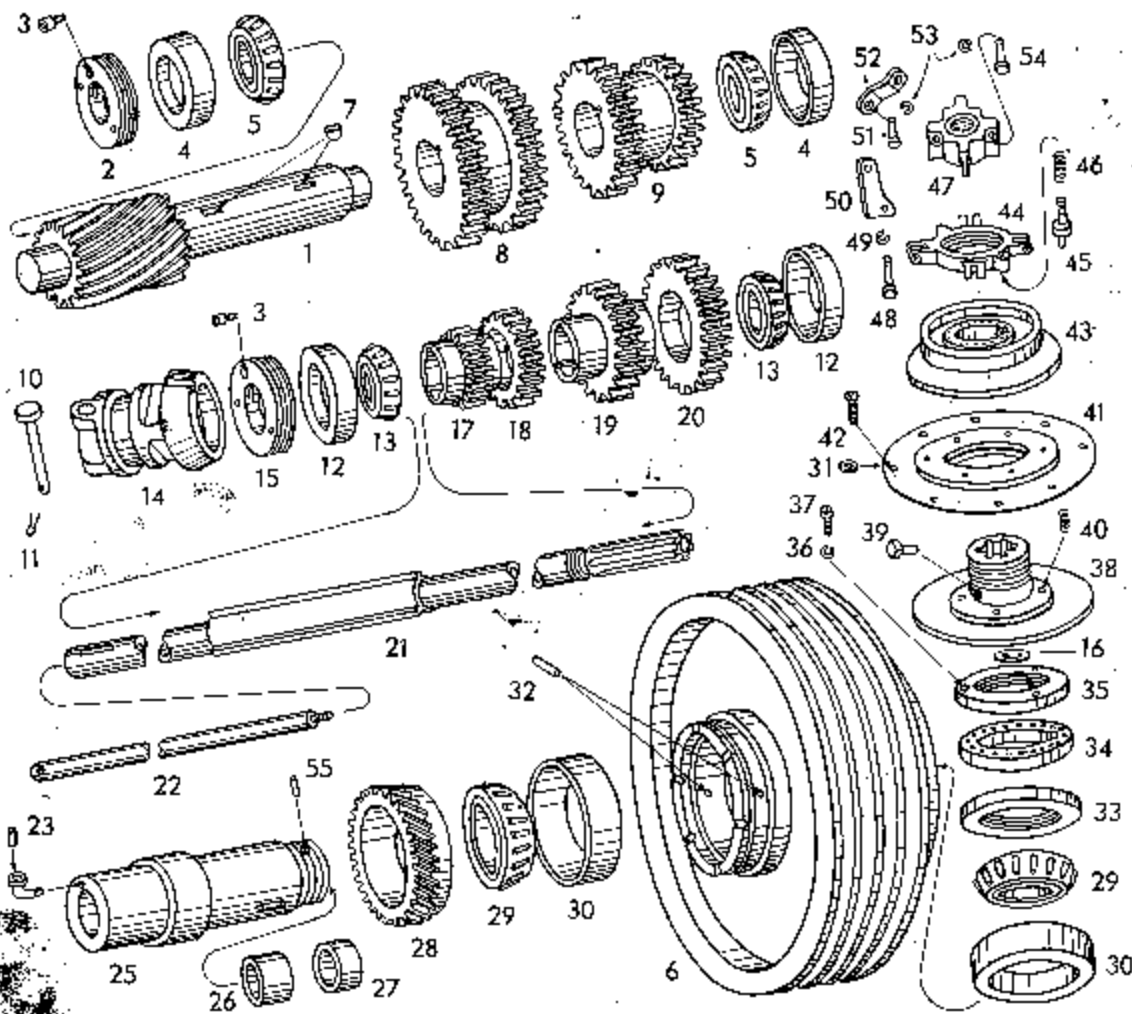
WHEN ORDERING PARTS ALWAYS SPECIFY

- 1—Quantity required 2—Part name
3—Key number opposite part name
4—This sheet number
5—Machloc serial number (see sheet S-11)

FEED UNIT
for TOOL ROOM & INDUSTRIAL SHAPERS

SHEET NUMBER

S-8



KEY NO.	Part Name	KEY NO.	Part Name
1	Gear	28	Gear
2	Screw	29	Bearing
3	Screw	30	Cup
4	Cup	31	Washer
5	Bearing	32	Pin
6	Pulley	33	Sub
7	Key	34	Washer
8	Gear	35	Nut
9	Gear	36	Washer
10	Pin	37	Cover
11	Pin	38	Plate
12	Cup	39	Pin
13	Bearing	40	Spring
14	Brake	41	Disc
15	Screw	42	Screw
16	Washer	43	Body
17	Gear	44	Web
18	Gear	45	Plunger
19	Gear	46	Spring
20	Gear	47	Slider
21	Shaft	48	Pin
22	Roll	49	Washer
23	Belt	50	Finger
24	Elbow	51	Pin
25	Wash	52	Link
26	Bush	53	Washer
27	Bush	54	Pin
28	Gear	55	Pin

NOTE: The following must be purchased as one unit:

- 17 & 18
- 19 & 20
- 25 & 27

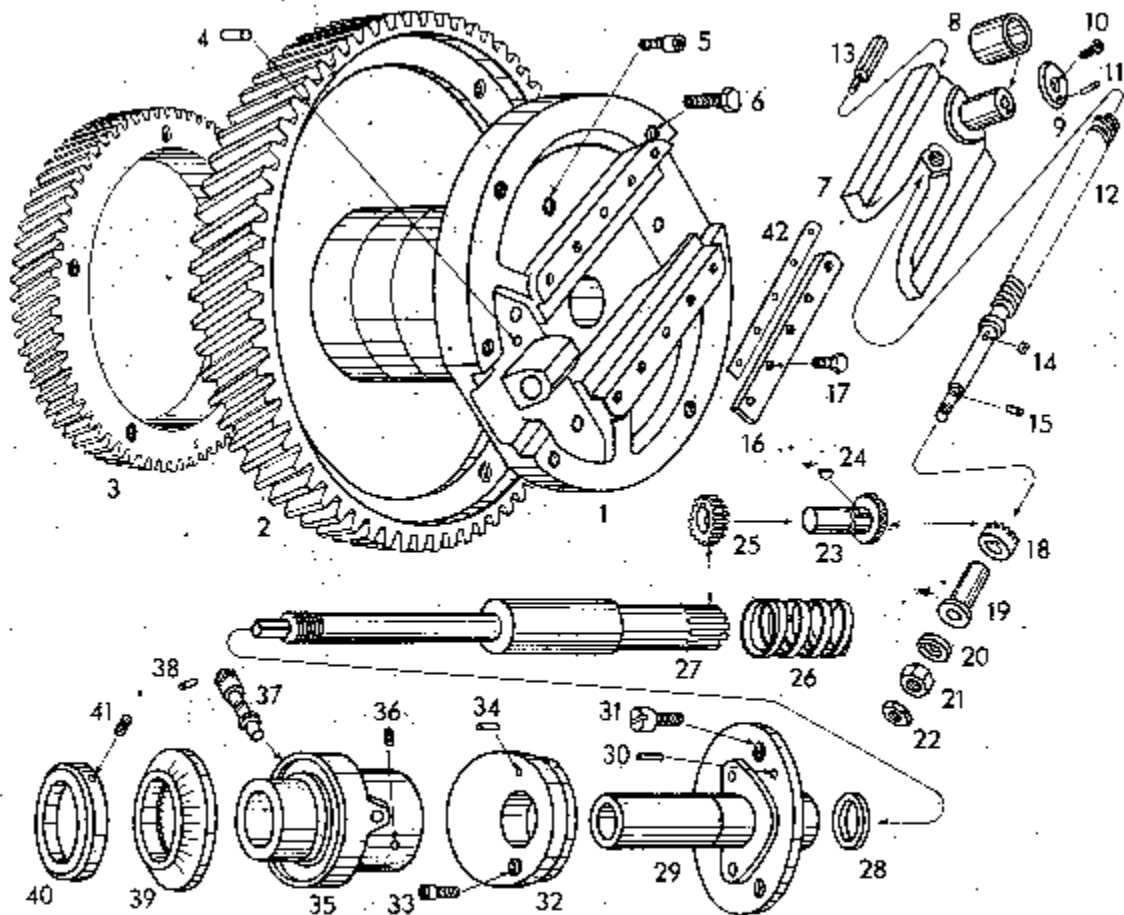
WHEN ORDERING PARTS ALWAYS SPECIFY

- 1—Quantity required
- 2—Part name
- 3—Key number opposite part name
- 4—This sheet number
- 5—Machine serial number (see sheet S-1)

**PULLEY, CLUTCH & BRAKE (Selective Transmission)
for TOOL ROOM & INDUSTRIAL SHAPERS**

SHEET NUMBER

S-9



KEY NO.	Part Name	KEY NO.	Part Name
1	Crank Plate	22	Nut
2	Gear	23	Gear
3	Gear	24	Key
4	Pin	25	Gear
5	Screw	26	Spring
6	Screw	27	Shaft
7	Crank Pin	28	Washer
8	Bush	29	Flange
9	Washer	30	Pin
10	Screw	31	Screw
11	Pin	32	Cam
12	Screw	33	Screw
13	Screw	34	Pin
14	Key	35	Bearing
15	Pin	36	Screw
16	Screw	37	Gear Shaft
17	Screw	38	Pin
18	Gear	39	Dial
19	Bush	40	Collar
20	Washer	41	Screw
21	Nut	42	Pin

NOTE: The following must be purchased as one unit:

7, 8 & 10

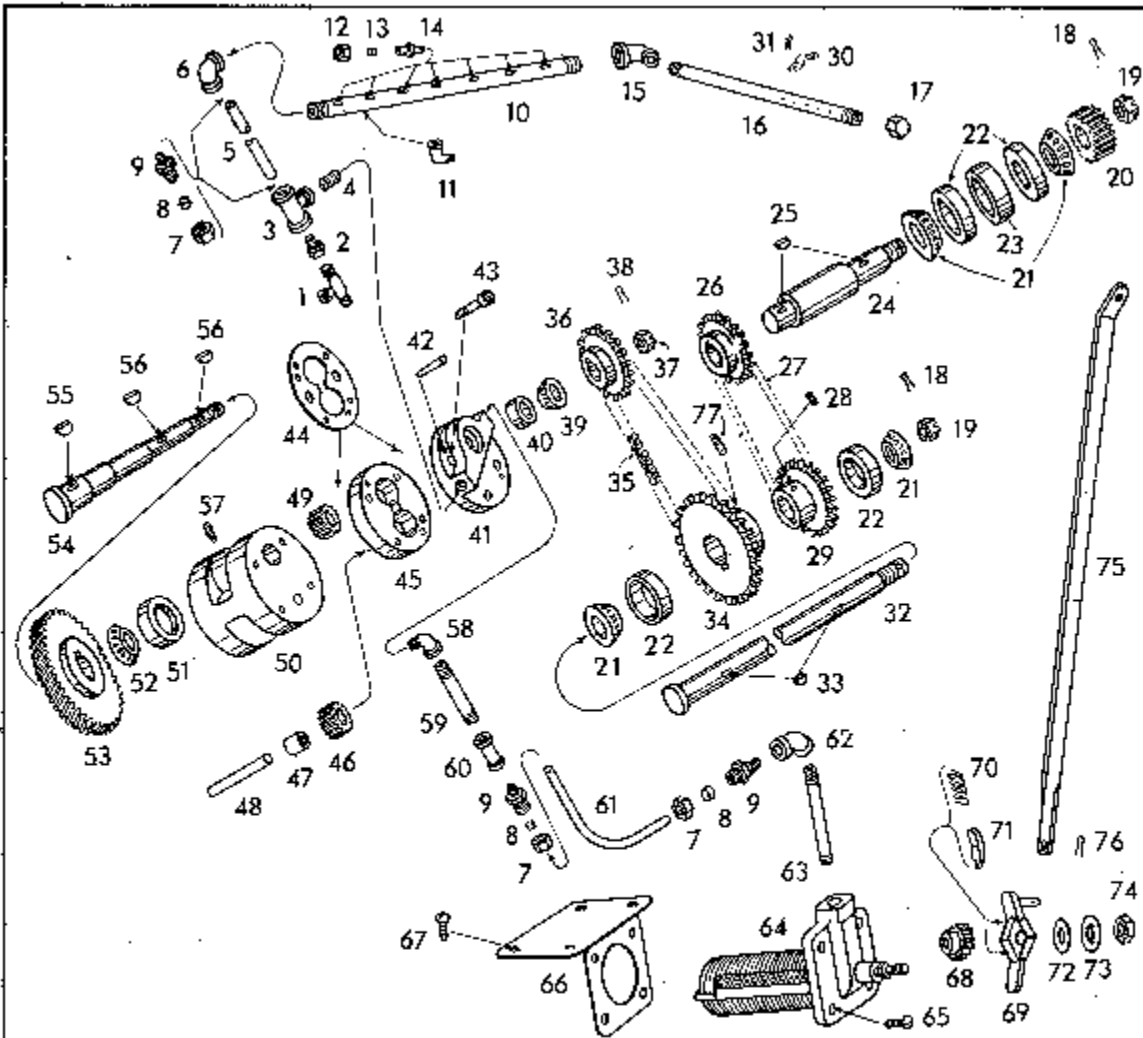
WHEN ORDERING PARTS ALWAYS SPECIFY

- 1—Quantity required
- 2—Part name
- 3—Key number opposite part name
- 4—This sheet number
- 5—Machine serial number (see sheet S-1)

MAIN CRANK GEARS, CRANK PLATE & STROKE ADJUSTING UNIT for TOOL ROOM & INDUSTRIAL SHAPERS

SHEET NUMBER

S-10



KEY NO.	Part Name	KEY NO.	Part Name
1	Tee	39	Bearing
2	Bush	40	Cup
3	Tee	41	Bearing
4	Nipple	42	Pin
5	Tubing	43	Screw
6	Elbow	44	Gasket
7	Nut	45	Bearing
8	Sleeve	46	Gear
9	Connector	47	Bush
10	Pipe	48	Pin
11	Elbow	49	Gear
12	Nut	50	Bearing
13	Sleeve	51	Cup
14	Connector	52	Bearing
15	Elbow	53	Gear
16	Nipple	54	Shaft
17	Cap	55	Key
18	Pin	56	Key
19	Nut	57	Screw
20	Gear	58	Elbow
21	Bearing	59	Nipple
22	Cup	60	Coupling
23	Bush	61	Tubing
24	Shaft	62	Elbow
25	Key	63	Nipple
26	Sprocket	64	Filter
27	Gain	65	Screw
28	Screw	66	Bracket
29	Sprocket	67	Screw
30	Clamp	68	Bracket
31	Screw	69	Arm
32	Shaft	70	Spring
33	Key	71	Pawl
34	Sprocket	72	Washer
35	Case	73	Washer
36	Sprocket	74	Nut
37	Nut	75	Bolt
38	Pin	76	Pin
39	Bearing	77	Screw

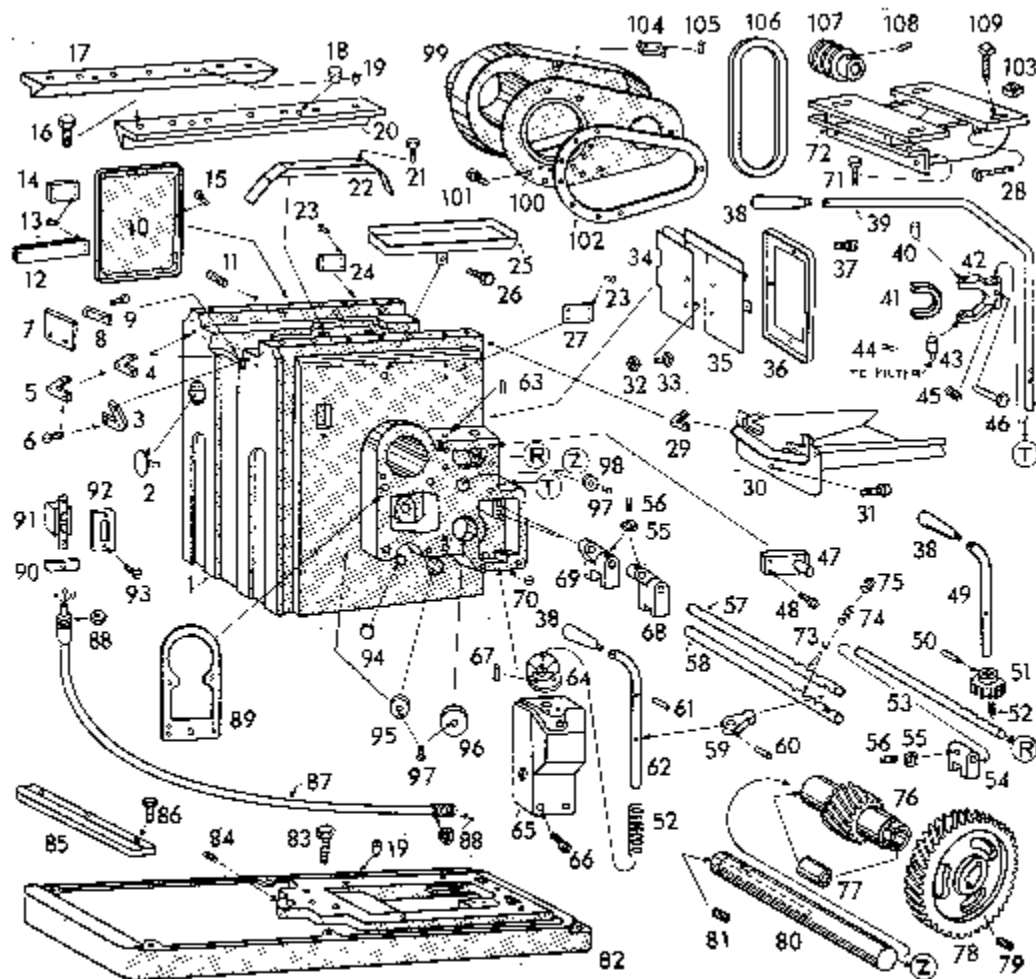
NOTE* The following must be purchased as one unit:

48 & 47

WHEN ORDERING PARTS ALWAYS SPECIFY
 1—Quantity required 2—Part name
 3—Key number opposite part name
 4—This sheet number
 5—Machine serial number (see sheet S-1)

LUBRICATION & PUMP
for TOOL ROOM & INDUSTRIAL SHAPERS

SHEET NUMBER
S-11



KEY NO.	Part Name	KEY NO.	Part Name
1	Frame	79	Nut
2	Cap	56	Screw
3	Wiper	57	Rod
4	Walt	58	rod
5	Wiper	59	Winger
6	Screw	60	Pin
7	Guard	61	PL
8	Strap	62	Lever
9	Screw	63	Pin
10	Cover	64	Place
11	Screw	65	Case
12	Plate	66	Harow
13	Pin	67	Pin
14	Plate	68	Yoke
15	Screw	69	Yoke
16	Screw	70	Plug
17	Wedge	71	Screw
18	Cap	72	Bracket
19	Tube	73	Ball
20	Wedge	74	Spring
21	Screw	75	Screw
22	Guard	76	Cap
23	Pin	77	Lash
24	Plate	78	Gear
25	Self	79	Screw
26	Screw	80	shaft
27	Plate	81	Screw
28	Screw	82	Base
29	Felt	83	Screw
30	Guard	84	Screw
31	Screw	85	Plate
32	Nut	86	Screw
33	Bolt	87	Shaft
34	Guard	88	Nut
35	Guard	89	Jocket
36	Cover	90	Plate
37	Screw	91	Switch
38	Handle	92	Cover
39	Lever	93	Harow
40	Pin	94	Plug
41	Shaft	95	Plug
42	Yoke	96	Plug
43	Pin	97	Screw
44	Pin	98	Plug
45	Screw	99	Guard
46	Screw	100	Guard
47	Nut	101	Screw
48	Shaft	102	Guard
49	Plate	103	Cap
50	Pin	104	Nut
51	Plug	105	Rod
52	Spring	106	rod
53	Rod	107	Winger
54	Screw	108	Pin
55	Guard	109	Screw
56	Pin	110	Pin
57	Cover	111	Plate
58	Screw	112	Pin
59	Lever	113	Pin
60	Pin	114	Delta
61	Screw	115	Belt
62	Pin	116	Sheave
63	Pin	117	Screw
64	Pin	118	Screw
65	Screw	119	Bolt
66	Pin	120	Bolt
67	Plate		
68	Yoke		
69	Yoke		
70	Plug		
71	Screw		
72	Bracket		
73	Ball		
74	Spring		
75	Screw		
76	Cap		
77	Lash		
78	Gear		
79	Screw		

*NOTE- On following must be purchased as one unit: 76, 77, 78 & 79

No. an original shaper 2-48-46

WHEN ORDERING PARTS ALWAYS SPECIFY
 1-Quantity required 2-Part name
 3-Key number opposite part name
 4-This sheet number
 5-Machine serial number (see sheet S-1)

FRAME, BASE & MOTOR DRIVE UNIT for TOOL ROOM & INDUSTRIAL SHAPERS

SHEET NUMBER
S-12

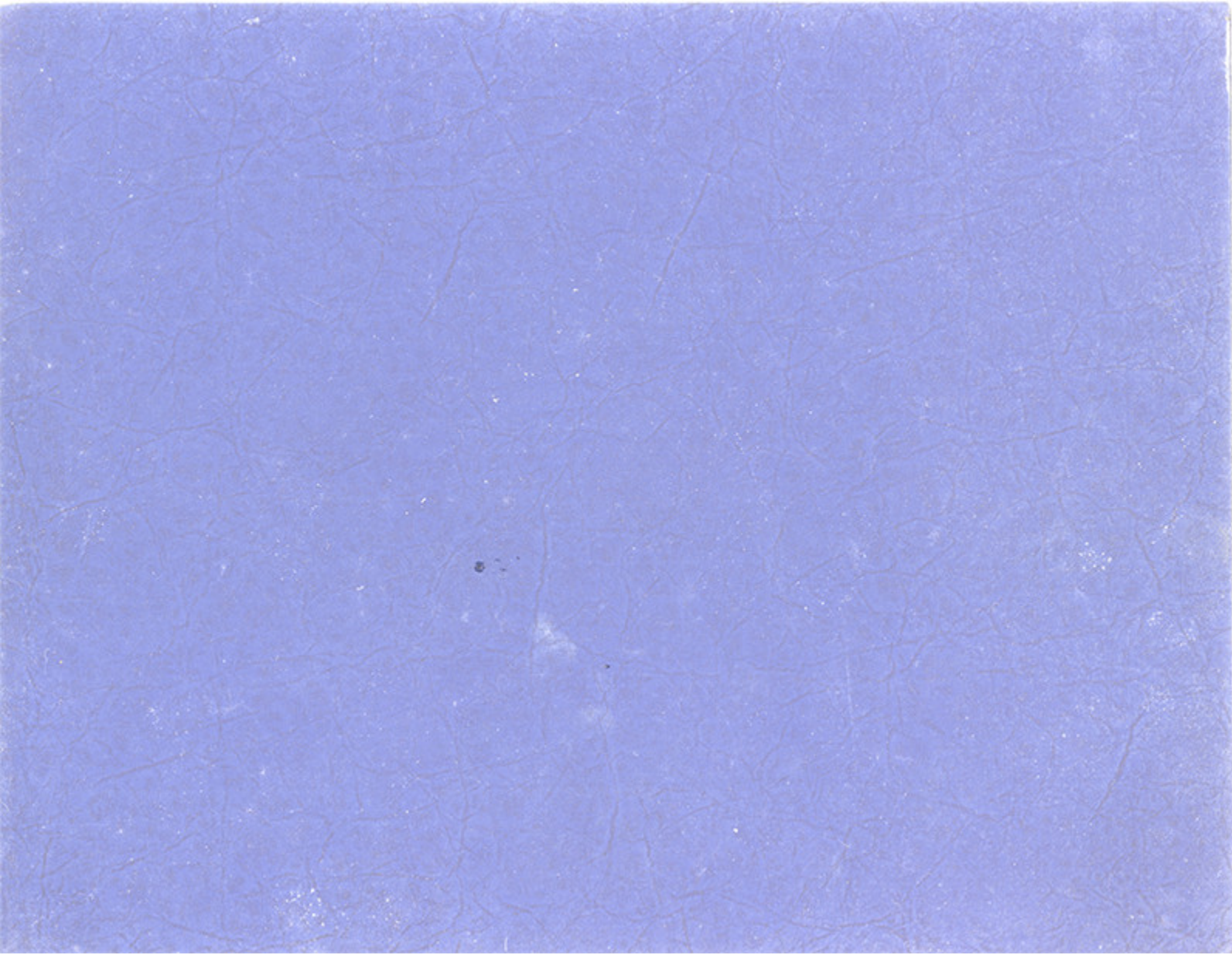
SALES REPRESENTATIVES

United States

MOTCH & MERRYWEATHER MACHINERY CO.	Cleveland, Cincinnati, Detroit, & Pittsburgh
MARSHALL & HUSCHART MACHINERY CO.	Chicago
W. E. SHIPLEY MACHINERY CO.	Philadelphia
MARSHALL & HUSCHART MACHINERY CO. OF INDIANA	Indianapolis
ROBERT R. STEPHENS MACHINERY CO. INC.	St. Louis
HARRON, RICKARD & McCONE CO.	San Francisco and Los Angeles
OLIVER H. VAN HORN CO., INC.	Houston and Shreveport
OLIVER H. VAN HORN CO., INC.	New Orleans
HALLIDIE MACHINERY CO.	Seattle and Spokane
ROBINSON, CARY & SANDS CO.	St. Paul
C. A. THUMM	Baltimore, Md.
McVOY-HAUSMAN COMPANY	Birmingham
HARRY M. EULER CO.	Portland, Oregon
THE SALT LAKE HARDWARE CO.	Salt Lake City
HENDRIE & BOLTHOFF MANUFACTURING AND SUPPLY CO.	Denver
CHANDLER MACHINERY COMPANY	Atlanta
NOLAND COMPANY, INC.	Chattanooga
TIDEWATER SUPPLY COMPANY, INC.	Norfolk, Va., and Columbia, S. C.
AMERICAN MACHINERY & SUPPLY CO.	Omaha, Nebraska
C. H. BRIGGS MACHINE TOOL COMPANY, INC.	Syracuse
GEORGE KELLER MACHINERY COMPANY	Buffalo
RUDEL MACHINERY COMPANY, INC.	New York and Hartford
WIGGLESWORTH MACHINERY CO.	Boston (Cambridge)

Canada and Abroad

F. F. BARBER MACHINERY COMPANY, LTD.	Toronto, Walkerville, & Montreal, Canada
BURTON, GRIFFITHS & CO., LTD.	Birmingham, England
D. DRURY & CO., (PTY.) LTD.	Johannesburgh and Durban, South Africa
C. SCHINZ & CO.	Zurich, Switzerland
THE H. S. GRAY CO.	Honolulu, Hawaii
GIBSON, BATTLE & CO., PTY. LTD.	Sydney, Australia





• PRODUCTS •

METAL SHAPING MACHINES
SPUR AND HELICAL GEAR HOBBIING MACHINES
WORM GEAR HOBBIING MACHINES
CONE WORM GEAR HOBBIING MACHINES
GEAR AND RACK CUTTING MACHINES
SPECIAL MACHINERY