

MACHINE TOOL  
COVERAGE  
HAS NEVER  
BEEN BETTER FROM



***Bridgeport***<sup>®</sup>

LOCAL SALES AND SERVICE

SOUTHERN MACHINE TOOL CO., INC.  
10272 Miller Rd.  
Dallas, Texas 75238

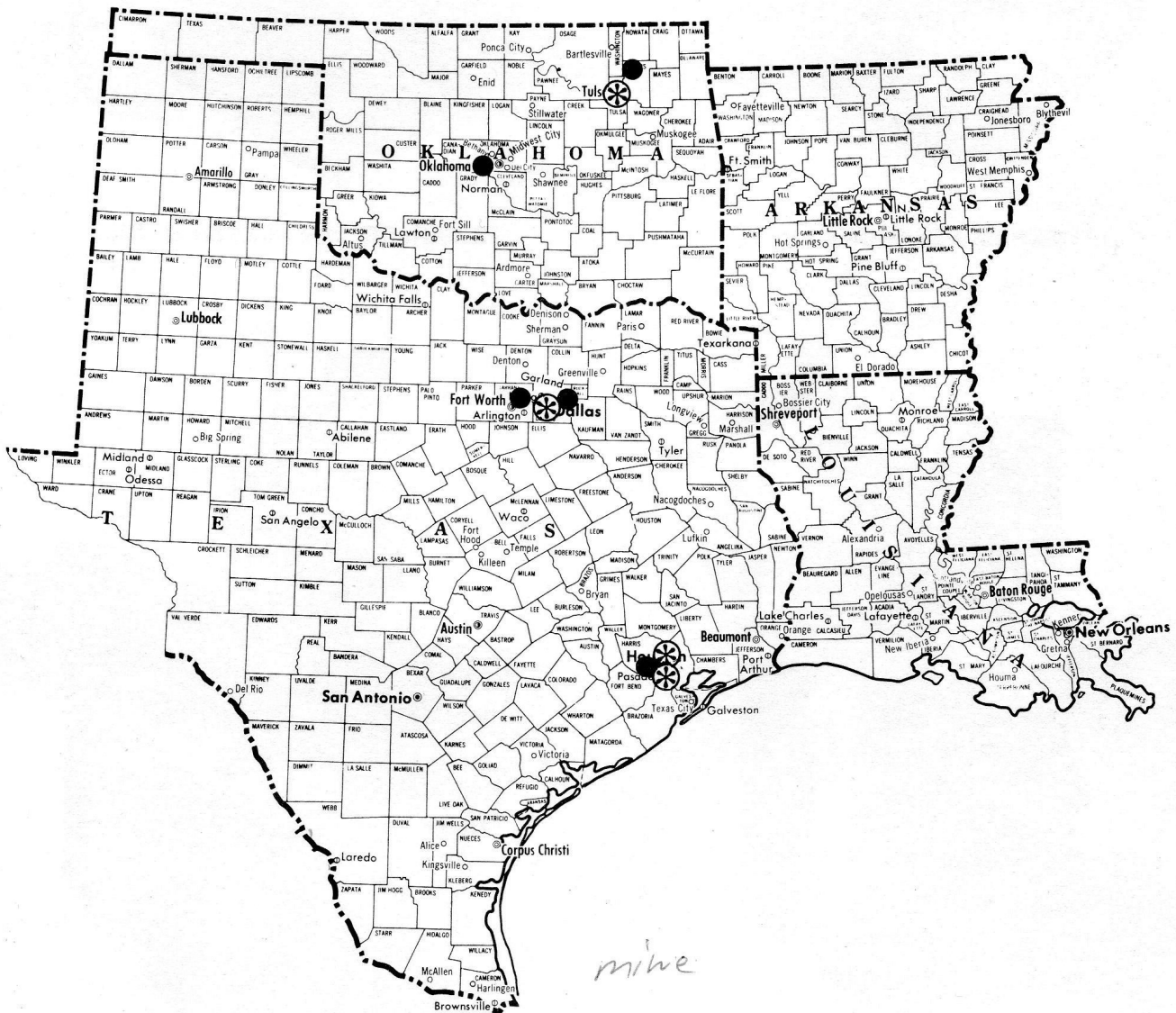
1-214/343-0036,



# BRIDGEPORT SOUTHWEST SALES/SERVICE CENTER

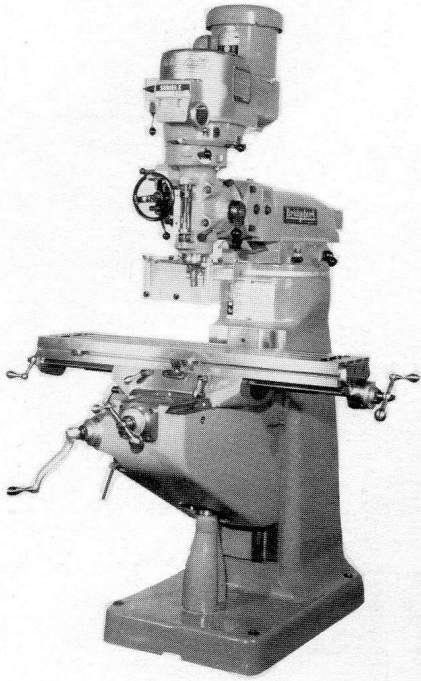
10272 MILLER ROAD  
DALLAS, TX 75238  
(214)343-0036

PHONE TOLL FREE:  
1-800-243-4292

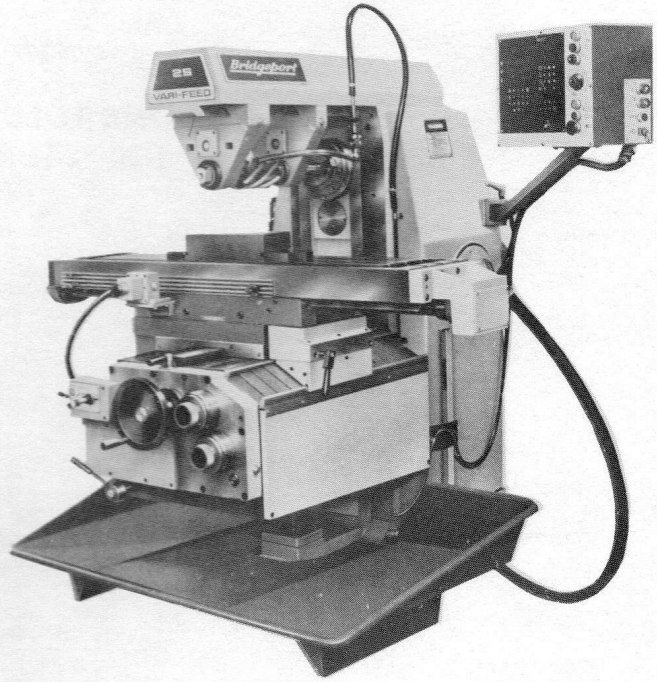


- ⊗ SALES ENGINEERS
- SERVICE ENGINEERS

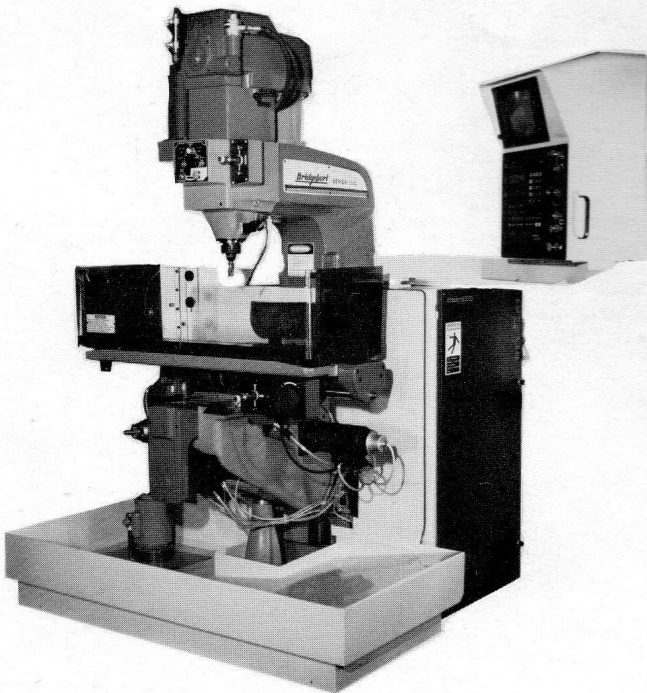
## ADDITIONAL PRODUCTS



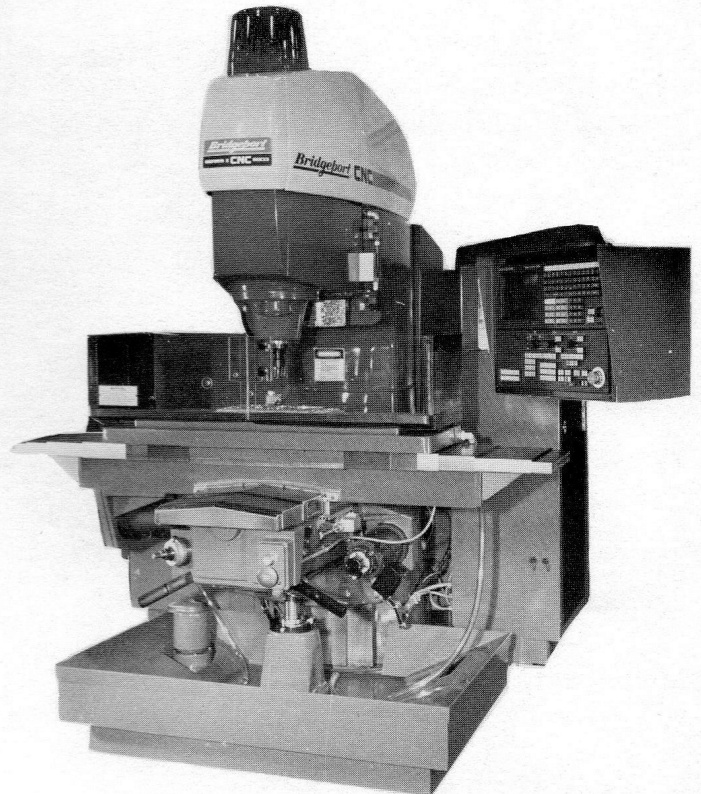
**SERIES I STANDARD**



**2S VARI-FEED HORIZONTAL MILL**

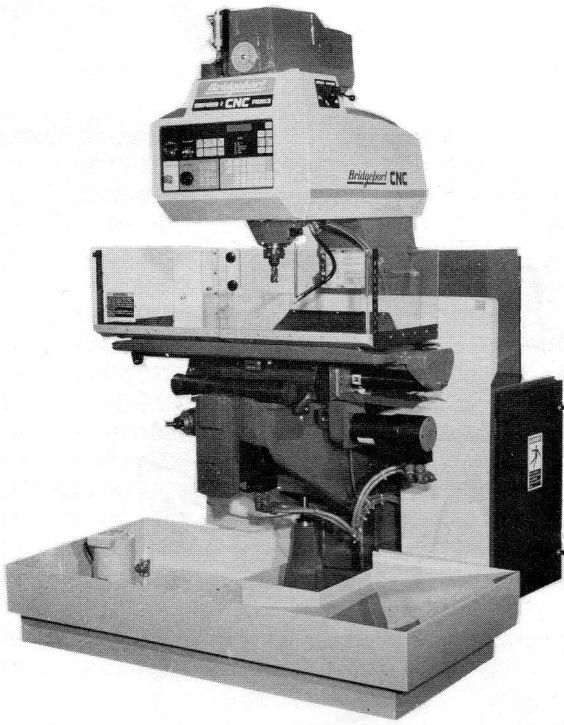


**SERIES I R2C3**



**SERIES II S7D3**

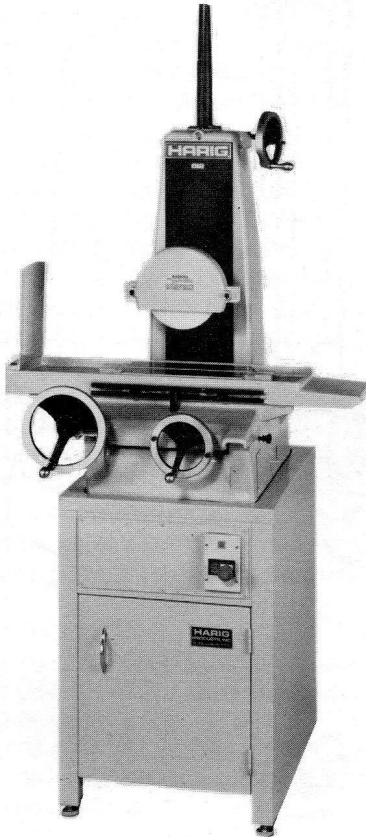




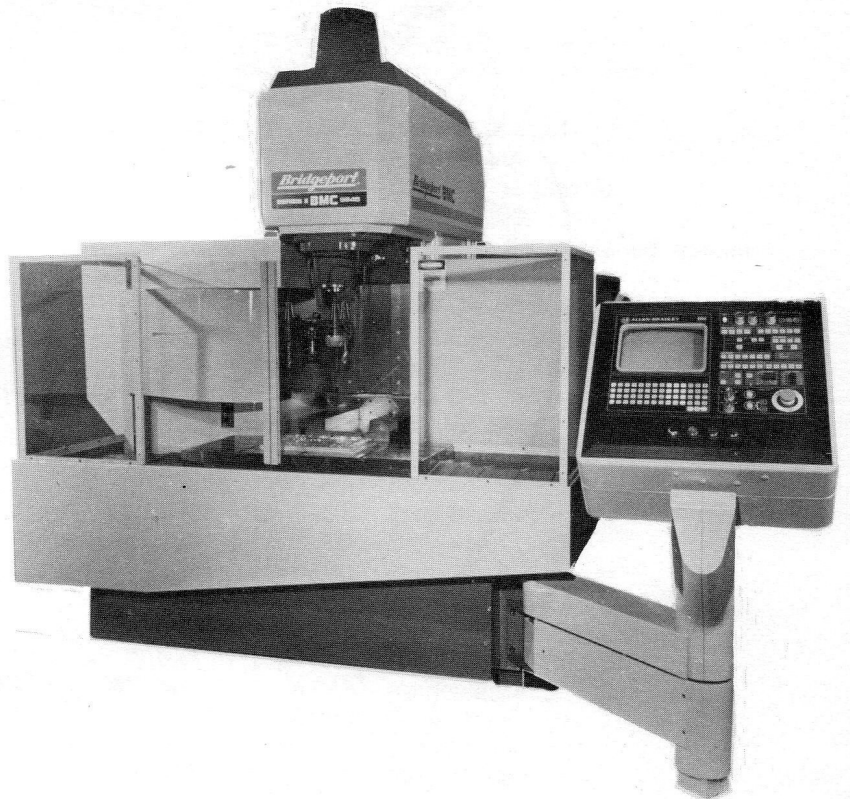
**SERIES I R2E3**



**SERIES I MACHINING CENTER**



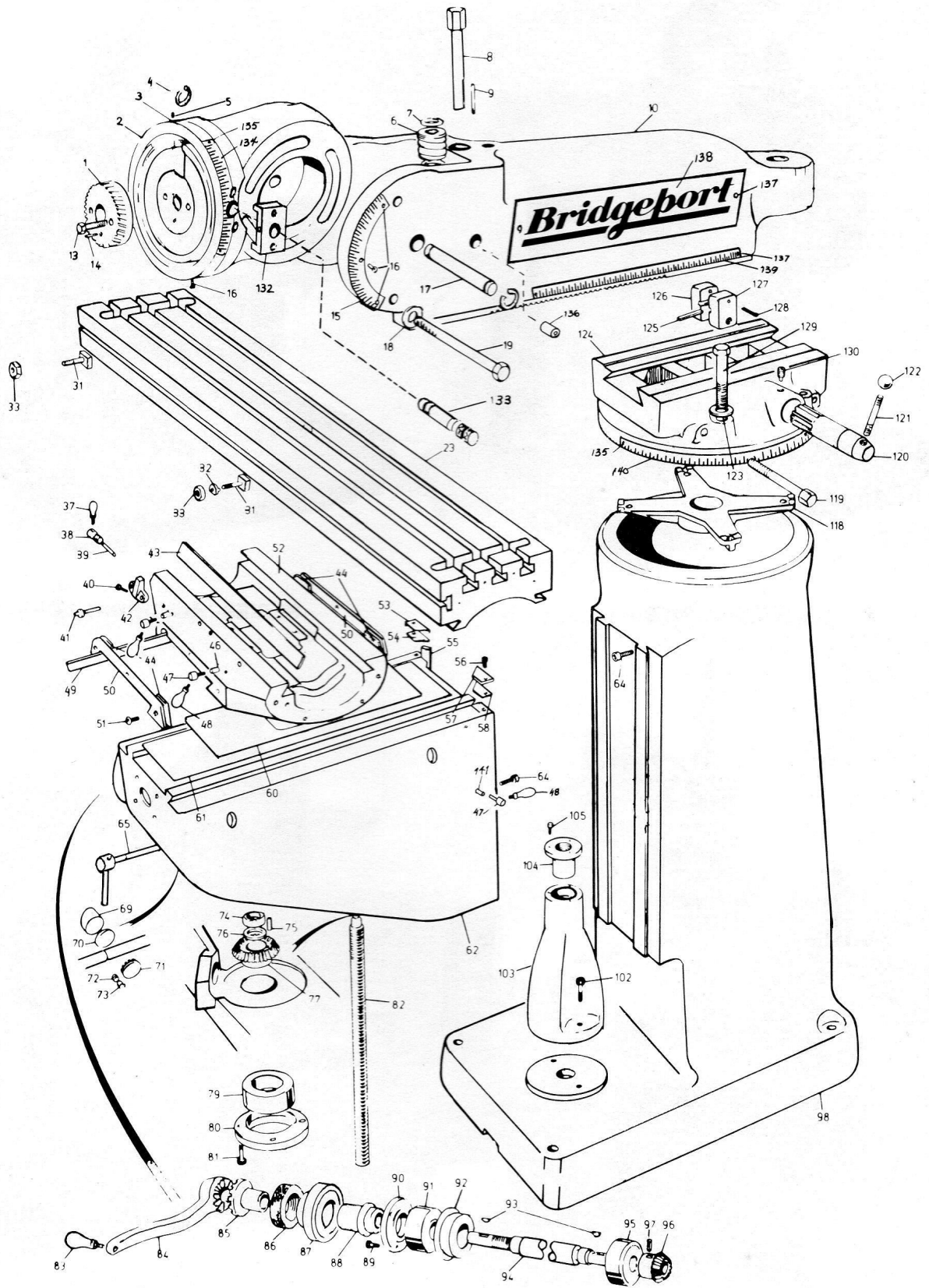
**HARIG 612 SURFACE GRINDER**



**SERIES II BMC 7-845**



# Basic Machine



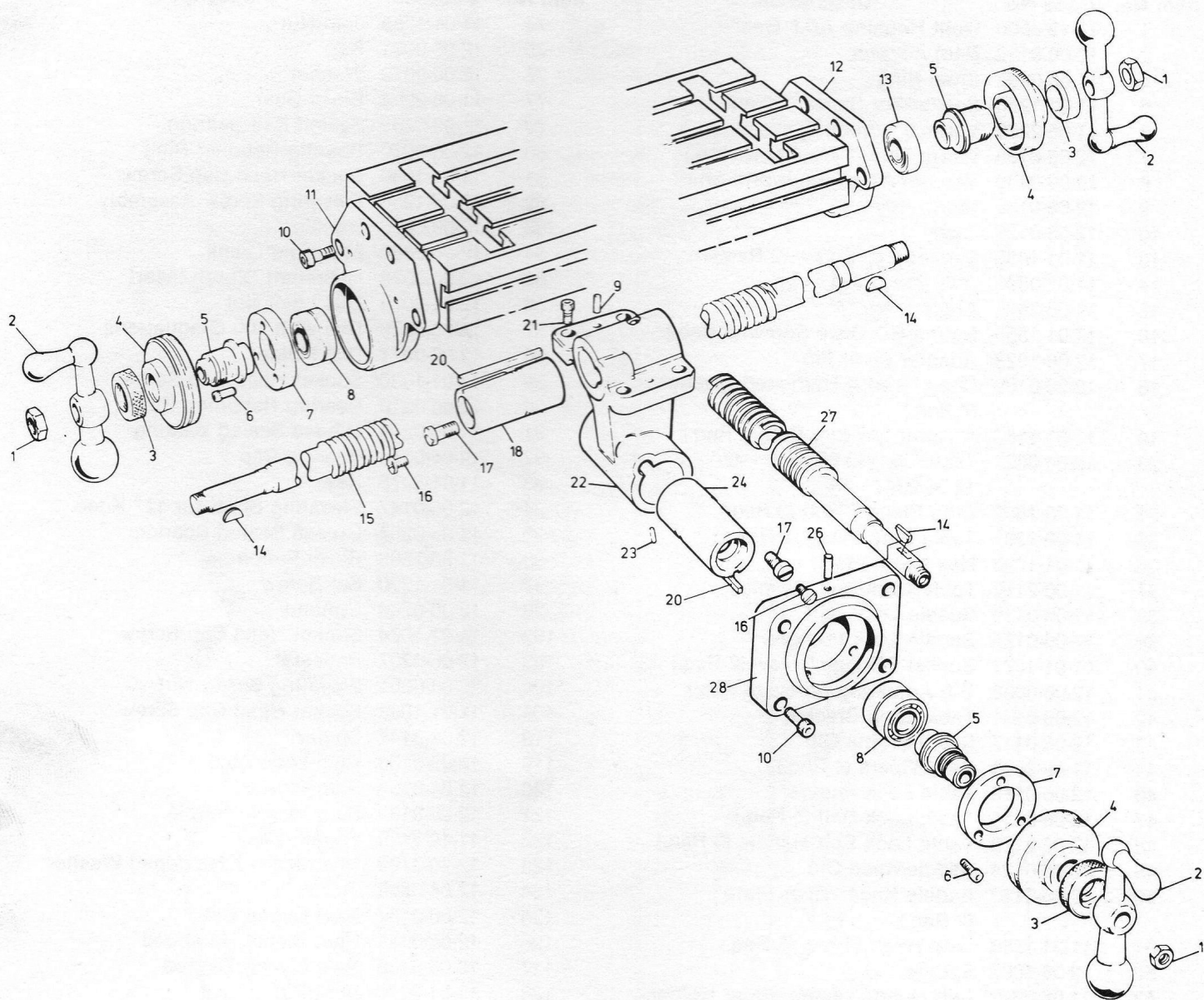


# Basic Machine

Item No.	Code No.	Description	Item No.	Code No.	Description
1	12-19-3500	Quill Housing ADJ. Gear	74	11-01-1755	Jam Nut
2	12-06-0129	Ram Adapter	75	12-06-0071	Key
4	11-06-0892	Snap Ring	76	12-06-0072	Washer
5	11-01-1260	Socket Set Screw (2 Req.)	77	11-06-2204	Bevel Gear
6	11-06-2206	Vertical Adjusting Worm	79	11-06-0205	Sealed Ball Bearing
7	12-06-0135	Worm Thrust Washer (2 Req.)	80	12-06-0070	Bearing Retainer Ring
8	12-06-0130	Vertical Adjusting Worm Shaft	81	11-01-1030	Socket Head Cap Screw
9	12-06-0138	Worm Key	82	12-06-1238	Elevating Screw Assembly
10	12-06-0128	Ram	83	12-06-0060	Handle
13	11-01-1035	Socket Cap Screw (2 Req.)	84	12-06-0080	Elevating Crank
14	11-01-0590	Roll Dowel Pin	85	12-06-0079	Gearshaft Clutch Insert
15	11-06-2826	Angle Plate	86	12-06-0078	Dial Lock Nut
16	11-01-1555	Round HD Drive Screw (5 Req.)	87	12-06-0076	Dial with 100 Graduations
17	12-06-1028	Adapter Pivot Pin	88	12-06-0077	Dial Holder
18	12-20-0109	Chamfered & Hardened Washer (7 Req.)	89	11-01-1030	Socket Head Cap Screw
19	11-06-1180	Adapter Locking Bolt (3 Req.)	90	12-06-0210	Bearing Retaining Ring
23	12-06-0021	Table 36" (12-06-0346 - 42" - 12-06-0347 - 48")	91	11-06-0204	Grease Sealed Bearing
31	11-06-1602	Stop Piece T-Bolt (3 Req.)	92	12-06-0074	Bearing Cap
32	11-06-2301	Table Stop Piece (2 Req.)	93	11-01-3078	Key
33	11-01-1720	Hex Nut (3 Req.)	94	12-06-0147	Elevating Shaft for 12" Knee
37	11-06-2179	Table Lock Bolt Handle	95	11-06-0204	Grease Sealed Bearing
38	12-06-0119	Saddle Lock Bolt	96	11-06-2205	Bevel Pinion
39	12-06-0125	Saddle Lock Plunger	97	11-01-1220	Set Screw
40	11-01-1071	Socket HD Cap Screw (2 Req.)	98	12-06-0209	Column
41	12-06-0088	Gib Adjusting Screw (3 Req.)	102	11-01-1074	Socket Head Cap Screw
42	12-06-0121	Table Stop Bracket	103	12-06-0207	Pedestal
43	12-06-0117	Saddle/Table Gib	104	12-06-0051	Elevating Screw Nut
44	11-06-2406	Felt Wipers (4 Req.)	105	11-01-1033	Socket Head Cap Screw
46	12-06-0118	Table Lock Plunger	118	12-06-0144	Spider
47	12-06-0119	Table Lock Bolt (5 Req.)	119	12-06-0133	Ram Lock Stud
48	12-06-2179	Table Lock Bolt Handle (5 Req.)	120	12-06-0134	Ram Pinion
49	12-06-0124	Saddle/Knee Gib	121	12-06-0139	Ram Pinion Handle
50	12-06-0123	Saddle Knee Wiper Plate (2 Req.)	122	11-19-2150	Plastic Ball
51	11-01-1580	Oval Head Screw (6 Req.)	123	12-20-0109	Chamfered x Hardened Washer
52	12-06-0097	Saddle	124	12-06-0208	Turret
53	11-06-0093	Left Hand Column Wiper Holder	125	12-06-0137	Ram Clamp Bar
54	11-06-2405	Knee Wiper Felt	126	12-06-0141	Ram Clamp Untapped
55	12-06-0146	Knee/Column Gib 12"	127	12-06-0136	Ram Clamp Tapped
56	11-01-1035	Allen Cap Screw (2 Req.)	128	11-01-0070	Split Pin
57	12-06-0094	Right Hand Column Wiper Holder	129	11-06-1178	Locking Bolt
58	11-06-2405	Knee Wiper Felt	130	12-06-0140	Ram Pinion Screw
60	11-06-0152	Chip Guards - Upper	131	11-11-3051	Wrench
61	11-06-0153	Chip Guards - Lower	132	12-65-0180	Stop Bracket
62	12-06-0206	Knee 12"	133	12-06-9999	Stop Pin
64	12-06-0095	Stop Screw	134	11-06-0603	Scale, Ram Adapter
65	12-06-1230	Knee Lock Shaft Assembly	135	11-98-0425	Drive Screw, # 4 x .188 (6 Req.)
69	12-06-0089	Knee Lock Plunger	136	12-06-0328	Bushing, Clamping
70	11-11-1912	Washer	137	11-01-1556	Drive Screw, # 6 x .375
71	11-01-0786	Knee Binder Plug (Plastic)	138	11-06-0420	Nameplate
72	11-01-1375	Dog Point Set Screw	139	11-06-0602	Scale, Ram
73	11-01-1270	Set Screw	140	11-06-0601	Scale, Turret
			141	12-06-0422	Plug, Upper
			142	12-06-0423	Plug, Lower
			143	12-06-0604	Saddle Lock Plug



# Leadscrew Assembly





## Leadscrew Assembly

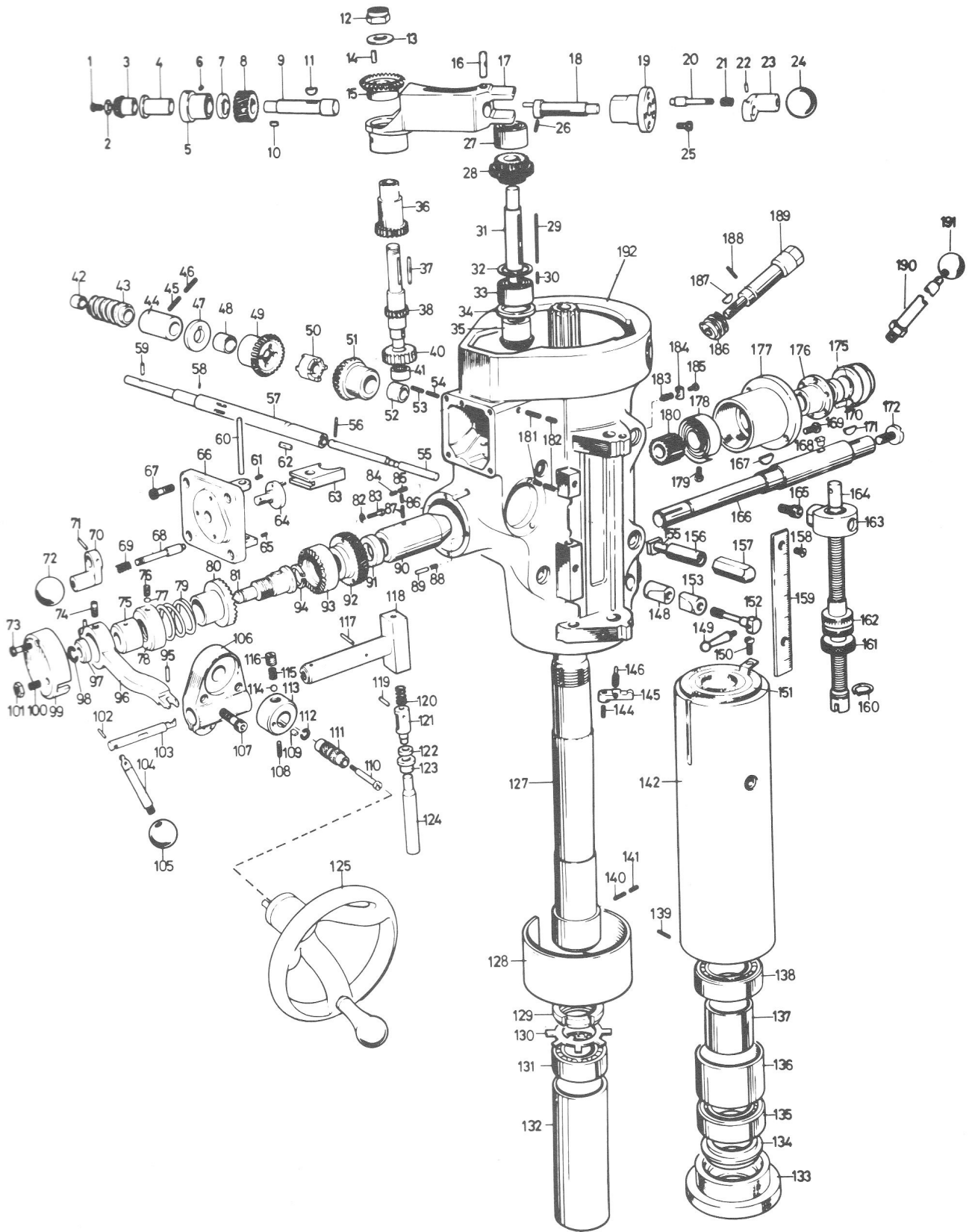
Item No.	Code No.	Description
1	11-01-1755	Jam Nut (3 Req.)
2	12-06-0085	Ball Crank Handle (3 Req.)
3	12-06-0078	Dial Lock Nut (3 Req.)
4	12-06-0083	Dial with 200 Graduations (3 Req.)
5	12-06-0084	Dial Holder (3 Req.)
6	11-01-1030	Socket Cap Screw (6 Req.)
7	12-06-0075	Bearing Retainer Ring (2 Req.)
8	11-06-0203	Grease Sealed Ball Bearings (2 Req.)
10	11-01-1074	Socket Cap Screw (12 Req.)
11	12-06-0116	Right Bearing Bracket
12	12-06-0115	Left Bearing Bracket
13	11-06-0204	Grease Seal Ball Bearing
14	11-01-3078	No. 7 Woodruff Key (3 Req.)
15	12-06-1222	Longitudinal Feed Screw 42" (48" also available 12-06-1223)
16	11-01-1592	Washer Head Screw (2 Req.)
17	12-06-0100	Cross Feed Nut Retaining Screw (2 Req.)
18	12-06-0102	Longitudinal Feed Nut
20	12-06-0099	Key (2 Req.)
21	11-01-1074	Socket Cap Screw (4 Req.)
22	12-06-1250	Feed Nut Bracket
23	12-06-0096	Key Pin
24	12-06-0098	Cross Feed Nut
26	12-19-0188	Stop Pin
27	12-06-1233	Cross Feed Screw for 12" Knee
28	12-06-0082	Cross Feed Bearing Bracket

## J Head Top Housing

Item No.	Code No.	Description	Item No.	Code No.	Description
1	12-19-3502	Drawbar for R.8 Collet	42	12-19-3507	Belt Housing
2	12-19-0183	Drawbar Washer	43	12-19-3541	Motor Locknut (2 Req.)
3	12-19-0126	Upper Bearing Locknut	45	12-19-0172	Motor Locknut Handle (2 Req.)
4	12-19-0125	Bearing Sleeve Locknut	46	11-19-2151	Black Plastic Ball (2 Req.)
5	11-19-0232	Ball Bearing	49	12-19-3508	Motor Pulley
6	12-19-3506	Upper Bearing Spacer (small)	50	12-19-3452	Gear Housing Cover
7	12-19-3506	Upper Bearing Spacer (large)	51	11-01-1455	Round HD Screw (5 Req.)
8	11-19-0232	Ball Bearing	52	11-19-5720	Wick
9	11-19-2032	Compression Spring (4 Req.)	53	12-19-0120	Oiler Tube
10	11-01-1258	Socket Set Screw (2 Req.)	54	12-19-0121	Oiler Plug
11	12-19-3512	Spindle Pulley Bearing Sleeve	55	11-19-3105	Oil Cup
12	11-01-1743	Jam Nut	56	12-19-0116	Bull Gear Key
13	11-19-1965	External Lock Washer	57	12-19-0115	Splined Gear Hub
14	12-19-3516	Brake Ring Screw (3 Req.)	58	12-19-3548	Spindle Bull Gear Assembly
15	11-19-2084	Spring (2 Req.)	59	11-18-0235	Bearing
16	11-01-0507	Roll Pin (4 Req.)	60	12-19-3548	Countershaft
17	12-19-0131	Brake Lock Stud	61	11-01-3079	Key
18	12-19-3477	Brake Assembly	62	12-19-3548	Countershaft Gear
19	12-19-0055	Spindle Pulley	63	11-18-0235	Bearing
20	12-19-3478	Spindle Pulley Hub	64	11-01-0747	Dowel Pin
22	11-19-2101	'V' Belt	65	12-19-0062	Back Gear Shifter Fork
23	11-18-2106	Timing Belt	66	12-19-3505	Gear Housing
24	12-19-0058	Timing Belt Pulley Flange	67	11-01-0713	Dowel Pin (2 Req.)
25	12-19-3509	Timing Belt Pulley	68	11-01-0555	Roll Pins (2 Req.)
26	12-19-0058	Timing Belt Pulley Flange	69	11-01-1104	Socket Cap Screw (6 Req.)
27	11-01-1506	Flat Head Screw	71	11-19-0230	Ball Bearing
28	11-19-1738	Hex Jam Nut	72	11-19-0806	Snap Ring
29	11-19-2151	Black Plastic Ball Handle (2 Req.)	73	11-19-1944	Lockwasher
30	12-19-0128	Spindle Clutch Lever	74	11-19-1793	Bearing Locknut
31	12-19-0127	Cam Ring	75	11-01-1718	Hex Nut Hardened (3 Req.)
32	12-19-0129	Cam Ring Pin (2 Req.)	76	12-19-3515	Vertical Tee Bolt (3 Req.)
33	11-01-1215	Socket Set Screw	77	12-19-0114	Vertical Bolt Washer (3 Req.)
34	12-19-0133	Brake Lock Handle	78	12-19-3545	Back Gear Shift Crank
35	12-19-0134	Brake Lock Pin	79	11-01-0517	Roll Pin
36	12-19-0132	Brake Lock Washer	80	12-19-0186	Back Gear Shift Bushing
37	11-19-2830	Spindle Speed Plate	81	12-19-3443	Shift Crank
38	11-19-2832	Operating Instruction Plate	82	11-19-2151	Black Plastic Ball 1" Dia.
39	11-19-1796	Hex Jam Nut (2 Req.)	83	12-19-0138	Gearshift Plunger
40	11-19-1922	Lock Washer	84	11-19-2052	Compression Spring
41	12-19-0173	Motor Mounting Studs (2 Req.)	85	11-19-0420	Belt Guard (R.H.)
				11-19-0421	Belt Guard (L.H.)



# J Head





## J Head

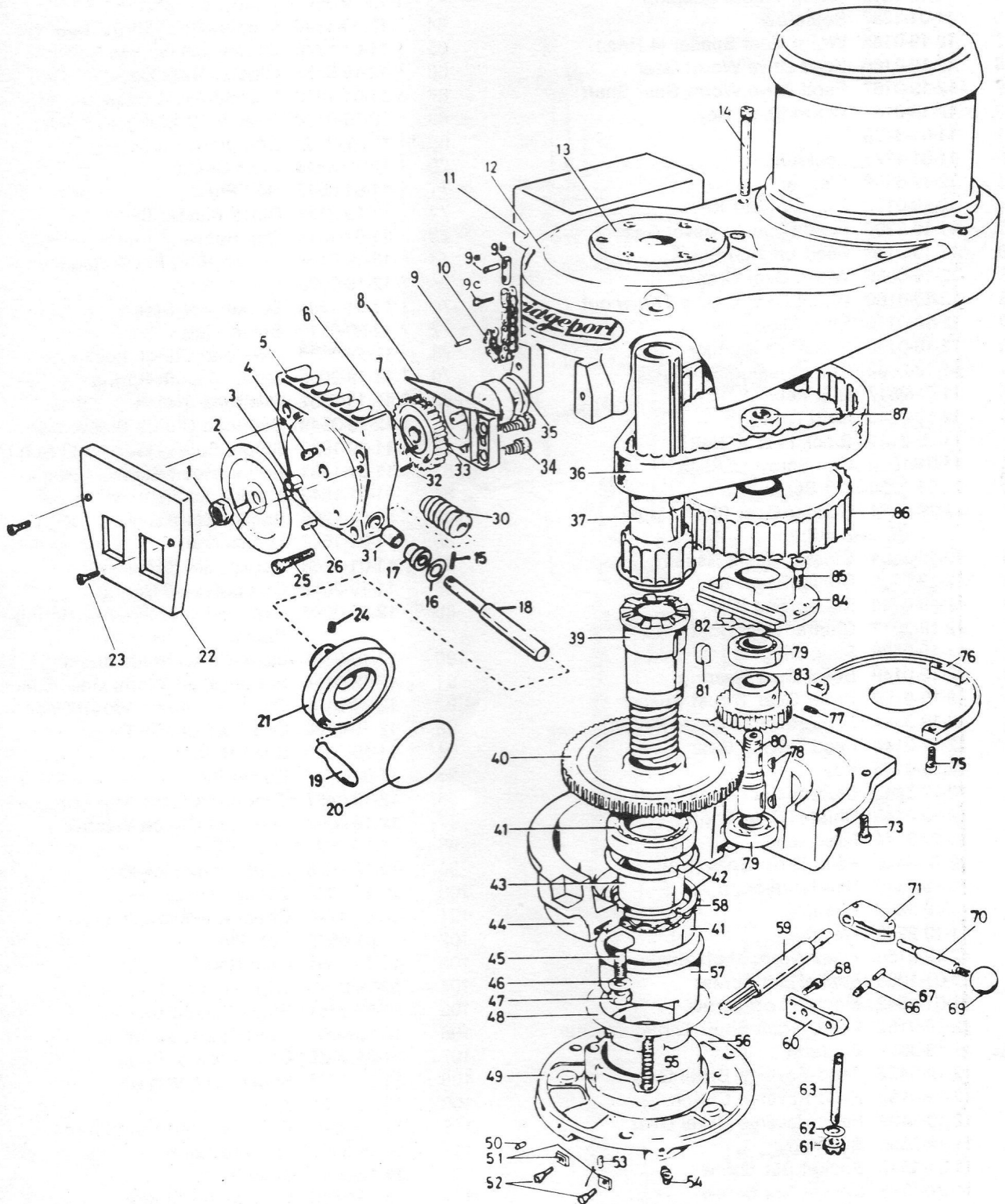
Item No.	Code No.	Description	Item No.	Code No.	Description
1	11-01-1445	RD. HD. Screw	59	12-19-0201	Pin
2	12-19-0163	Bevel Pinion Washer	60	12-19-0179	Feed Shift Rod
3	12-19-0203	Feed Bevel Pinion	61	11-01-1260	KP. Set Screw
4	12-19-0164	Feed Worm Gear Shaft Sleeve	62	12-19-0162	Key
5	11-19-2303	Worm Cradle Bushing	63	12-19-0061	Feed Gear Shift Fork
6	11-01-1287	Setscrew	64	12-19-3446	Cluster Gear Shift Crank
7	12-19-0165	Worm Gear Spacer (4 Req.)	65	11-01-1270	Socket Set Screw
8	12-19-0166	Feed Drive Worm Gear	66	12-19-0065	Cluster Gear Cover
9	12-19-0167	Feed Drive Worm Gear Shaft	67	11-01-1010	Cap Screw (4 Req.)
10	12-19-0162	Worm Shaft Key	68	12-19-0138	Gear Shift Plunger
11	11-01-3078	Key	69	11-19-2052	Compression Spring
12	11-01-1771	Locknut	70	12-19-3443	Shift Crank
13	12-19-0199	Washer	71	11-01-0517	Roll Pin
14	12-19-0176	Cluster Gear Key	72	11-19-2151	Black Plastic Ball
15	11-19-2209	Feed Reverse Bevel Gear	73	11-01-1014	Cap Screw (2 Req.)
16	12-19-0168	Feed Engage Pin	74	12-19-0188	Clutch Ring Pin (2 Req.)
17	12-19-0059	Worm Gear Cradle	75	12-19-0098	Clutch Ring
18	12-19-0169	Worm Gear Cradle Throw-out	76	11-01-1265	Socket Set Screw
19	12-19-0170	Shift Sleeve	77	12-20-0110	Brass Plug
20	12-19-0138	Gearshift Plunger	78	12-19-0105	Overload Clutch Locknut
21	11-19-2052	Compression Spring	79	11-19-2055	Safety Clutch Spring
22	11-01-0517	Roll Pin	80	11-19-2302	Overload Clutch
23	12-19-3443	Shift Crank	81	12-19-3549	Overload Clutch Sleeve
24	11-19-2151	Black Plastic Ball	82	11-19-1920	Single Spring Washer (3 Req.)
25	11-01-1010	Cap Screw (3 Req.)	83	11-01-1431	Round Head Screw (3 Req.)
26	11-01-1258	Set Screw	84	11-01-1542	Mock-it Lockscrew
27	12-19-0181	Cluster Gear Shaft Upper Bearing	85	11-01-1268	Socket Set Screw
28	12-19-3504	Cluster Gears Assembly	86	11-01-1542	Lockscrew
29	12-19-0175	Cluster Gear Key	87	11-01-1268	Socket Set Screw
30	12-19-0148	Round End Key	88	11-19-2032	Compression Spring
31	12-19-3517	Cluster Gear Shaft	89	12-19-0096	Overload Clutch Lever Spring Plunger
32	11-19-0836	Snap Ring	90	12-19-0106	Quill Pinion Shaft Bushing
33	12-19-0149	Bevel Gear Bearing	91	12-19-0104	Pinion Shaft Worm Gear Spacer
34	12-19-0150	Bevel Gear Thrust Spacer	92	12-19-0103	Overload Clutch Worm Gear
35	12-19-3544	Feed Reverse Bevel Pinion	93	12-19-0102	Overload Clutch Ring
36	12-19-0146	Feed Driving Gear	94	11-19-0870	Snap Ring
37	12-19-0176	Key	95	11-01-0717	Dowel Pin
38	12-19-3440	Cluster Gear Input Shaft Assy.	96	12-19-3427	Overload Clutch Trip Lever
	12-19-0145	Cluster Gear Shaft	97	12-19-0097	Overload Clutch Washer
	12-19-0144	Feed Gear	98	11-19-0822	Snap Ring
40	12-19-3440	Feed Drive Gear Assy.	99	12-19-0068	Clutch Arm Cover
41	11-19-0310	Needle Bearing	100	11-01-1308	Socket Set Screw
42	11-19-3637	Bushing	101	11-01-1740	Chem Blacked Locknut
43	11-19-2208	Worm	102	11-01-0515	Roll Pin
44	12-19-0155	Feed Worm Shaft Bushing	103	12-19-0094	Cam Rod
45	11-01-1268	Socket Set Screw	104	12-19-0095	Trip Handle
46	11-01-1542	Mock-it Lockscrew	105	11-19-2151	Black Plastic Ball
47	12-19-0152	Feed Worm Shaft Thrust Washer	106	12-19-0067	Feed Trip Bracket
48	11-19-3635	Bushing	107	11-01-1035	Cap Screw (2 Req.)
49	12-19-3432	Feed Reverse Bevel Gear	108	11-01-1222	Socket Set Screw
50	12-19-0153	Feed Reverse Clutch	109	12-19-0162	Key
51	12-19-3432	Feed Reverse Bevel Gear	110	12-19-3547	Feed Reverse Knob Stud
52	11-19-3635	Bushing	111	12-19-3433	Reverse Knob
53	11-01-1547	Socket Set Screw	112	11-18-0818	Snap Ring
54	11-01-1375	Socket Set Screw	113	12-19-3518	Handwheel Clutch
55	12-19-0157	Reverse Clutch Rod	114	11-19-2165	Steel Ball
56	11-01-0509	Roll Pin			
57	12-19-0198	Feed Worm Shaft			
58	12-19-0200	Pin			



Item No.	Code No.	Description	Item No.	Code No.	Description
115	11-19-2054	Compression Spring	170	11-01-0717	Roll Pin
116	12-19-0154	Handwheel Clutch Spring Screw	171	11-01-3076	Key
117	11-01-0515	Roll Pin	172	12-19-0182	Pinion Shaft Hub Screw
118	12-19-0093	Cam Rod Sleeve Assy.	173	11-19-2165	Steel Ball
119	11-01-0513	Roll Pin	174	11-19-2033	Compression Spring
120	11-19-2053	Compression Spring	175	12-20-1031	Rack Feed Handle Hub
121	12-19-3456	Trip Plunger	176	12-19-0079	Pinion Shaft Hub Sleeve
122	12-19-0092	Feed Trip Plunger Bushing	177	12-19-3436	Spring Cover
123	12-19-0090	Trip Plunger Bushing	178	11-19-2020	Clock Spring (Clock Spring Assy. 12-19-3437)
124	12-19-0089	Feed Trip Plunger	179	12-19-0184	Outside Spring Pin
125	12-19-3519	Handwheel	180	12-19-0108	Quill Pinion
127	12-19-3511	Spindle	181	11-01-1268	Socket Set Screw
128	11-19-0081	Quill Skirt	182	11-01-1542	Lockscrew
129	11-19-1790	Locknut	183	12-19-0085	Reverse Trip Ball Lever
130	11-19-1942	Lockwasher	184	12-19-0086	Feed Reverse Trip Plunger
131	11-19-0237	Bearing	185	12-19-0087	Reverse Trip Ball Lever Screw
132	12-19-0197	Sleeve	186	11-19-2207	Worm Gear
133	12-19-0196	Nose-piece	187	11-01-3077	Key
134	12-19-0193	Spindle Dirt Shield	188	11-01-1370	Socket Set Screw
135	11-19-0238	Bearing	189	12-19-0850	ADJ Worm Shaft
136	12-19-3513	(Bearing Spacer - Large)	190	12-20-1032	Pinion Shaft Hub Handle
137		(Bearing Spacer - Small)	191	11-20-2170	Black Plastic Ball Handles
138	11-19-0238	Bearing	192	12-19-3514	Quill Housing
139	11-01-1265	S.S.S. .250-20x.250 Knurled Cup Pt.			
140	11-01-1545	Special Socket Set Screw			
141	12-19-3540	Collet Alignment Screw			
142	12-19-0192	Quill (O.D. Within .0001")			
144	11-01-1303	Socket Set Screw			
145	12-19-3498	Feed Trip Lever			
146	12-19-0185	Trip Lever Pin			
148	12-19-0110	Quill Lock Sleeve			
149	12-20-0098	Lock Handle			
150	11-01-1453	RHMS 10-32x.312			
151	11-19-2403	Felt Washer			
152	12-19-0111	Quick Lock Bolt			
153	12-19-0109	Quill Lock Sleeve Tapped			
155	12-19-3546	T-Bolt Assy.			
156	12-19-0135	Lower Clamping Bolt Spacer (2 Req.)			
157	11-19-1736	Locknut			
158	11-01-1411	Chem Blacked RD.HD. Screws (2 Req.)			
159	11-19-5306	Micrometer Scale			
160	11-19-0836	Snap Ring			
161	12-19-0190	Quill Micro-stop Nut			
162	12-19-0084	Micrometer Nut			
163	12-19-0082	Quill Stop Knob			
164	12-19-0083	Quill Stop Micro-screw			
165	11-01-1090	Screw			
166	12-19-3501	Quill Pinion Shaft			
167	11-01-3078	Key			
168	12-20-0111	Spring Pin			
169	11-01-1445	RD. Head Screw (2 Req.)			



# 2J Head Top Housing



## 2J HEAD TOP HOUSING

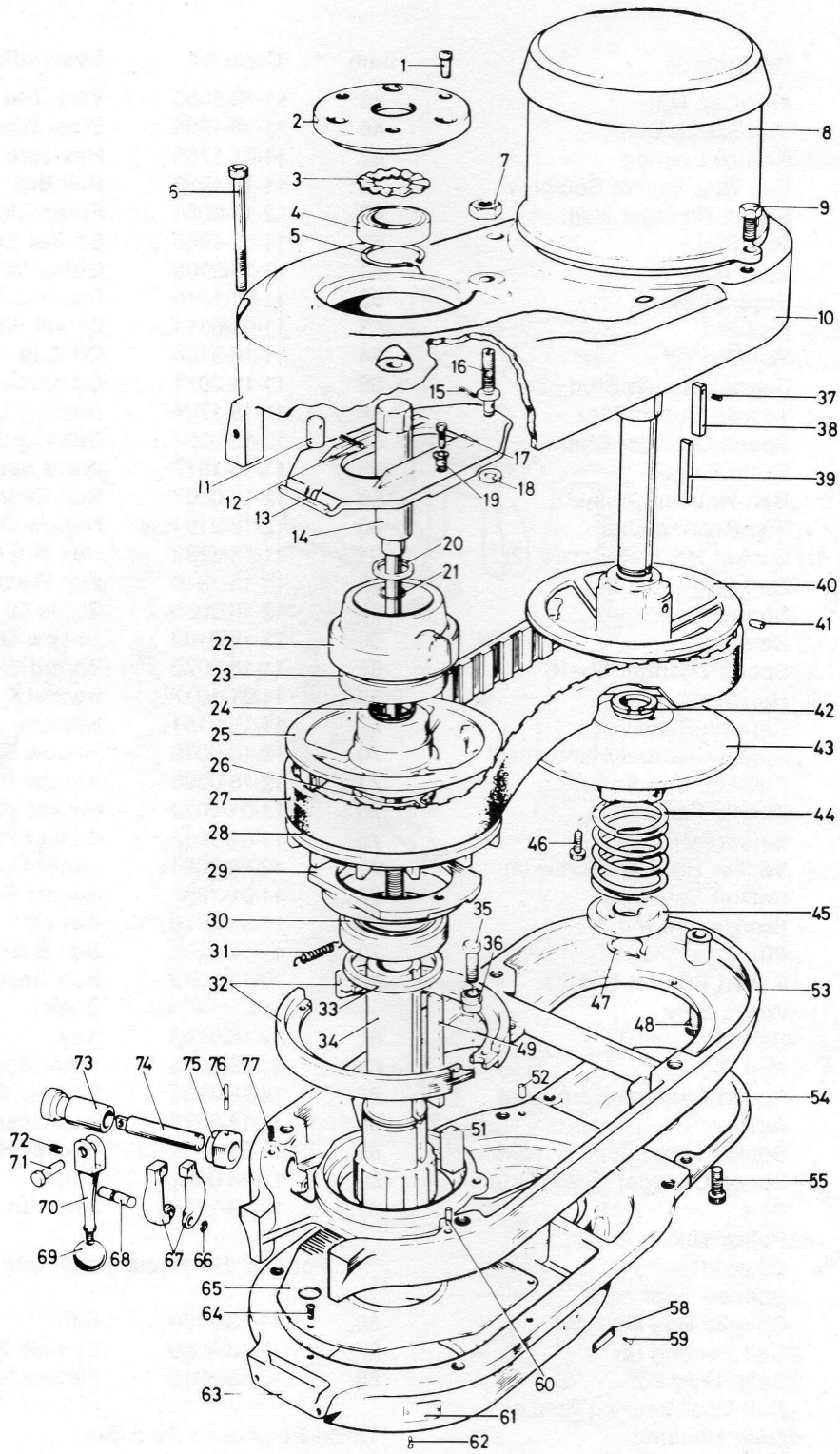
Item	Code No.	Description	Item	Code No.	Description
1	11-01-1743	Hex Cap Nut	45	11-18-1650	Vert. Tee Bolts (3)
2	11-18-0033	Vari-Speed Dial	46	11-18-1906	Steel Washer (3)
3	11-18-3646	Bronze Bearing	47	11-01-1750	Hex Jam Nut (3)
4	11-01-1380	Full Dog Socket Setscrew	48	11-18-1986	Ball Brg. Gear Sleeve Wshr.
5	12-18-0055	Speed Changer Hsg.	49	12-18-0054	Fixed Clutch Bracket
6	11-01-0516	Roll Pin	50	11-01-1246	Socket Setscrew
7	12-18-4926	Spur Gear	51	12-18-0105	Guide for Clutch Bracket
8	12-18-2003	Support Block	52	11-01-1016	Flat Hd. Socket Cap Scr. (2)
9	11-01-0520	Roll Pin	53	11-01-0511	Dowel Pin
9a	11-01-0534	Roll Pin	54	11-18-3104	Oil Cup
9b	12-18-0066	Speed Change Stud	55	11-18-2071	Compression Spring (3)
9c	11-01-0620	T-Head Cutter Pin	56	11-18-1794	Bearing Locknut
10	11-18-3720	Speed Changer Chain	57	12-18-0061	Bearing Sleeve
11	11-18-2655	Drum Switch	58	11-18-1977	Wave Spring Washer
12	12-18-3923	Belt Housing Assy.	59	12-18-0067	Bull Gear Shift Pinion
13	12-18-0094	Top Bearing Cap	60	12-18-0161	Hi-Low Detent Plate
14	11-01-1065	Socket Hd. Cap Screw (2)	61	11-18-1732	Hex Nut (3)
15	12-19-0201	Roll Pin	62	11-15-1913	Flat Washer
16	11-18-1923	Spring	63	12-18-0085	Studs (3)
17	11-18-0214	Bearing	66	12-18-0100	Hi-Low Detent Plunger
18	12-18-2002	Speed Changer Shaft	67	11-18-2072	Spring
19	11-18-2178	Handle	68	11-01-1017	Socket Cap Screw (2)
20	11-18-2892	Caution Plate	69	11-19-2151	Bakelite Ball Handle
21	12-18-2001	Speed Changer Handwheel	70	12-18-0099	Hi-Low Shift Crank
22	11-01-1133	Flat Hd. Cap Screw (2)	71	12-18-0096	Hi-Low Pinion Block
23	11-18-2901	Plastic Face Plate	73	11-01-1052	Socket Cap Screw (4)
24	11-18-1233	Setscrew	75	11-01-1012	Socket Hd. Cap Screw
25	11-01-1037	Socket Hd. Cap Screw (4)	76	12-18-0088	Motor Pulley Cover
26	11-01-1287	Socket Setscrew	77	11-01-1287	Socket Setscrew
27	11-18-3645	Bronze Bearing	78	11-01-3079	Key (2)
28	12-19-0201	Pin	79	11-18-0235	Ball Bearing (2)
29	12-18-0087	Speed Control Shaft	80	12-18-0075	Bull Gear Pinion Counter Shaft
30	11-19-2208	Worm Gear			
31	11-18-3636	Bearing	81	12-18-0103	Key
32	11-01-0550	Roll Pin	82	11-18-1975	Wave Spring Washer
33	12-18-4926	Speed Changer Spur Gear Assy.	83*	12-18-3933	Spindle Bull Gear Set
34	11-01-1031	Socket Head Caps Screws	84	12-18-0076	Bull Gear Pinion Brg. Cap
35	12-18-0065	Speed Changer Chain Drum	85	11-01-1011	Socket Hd. Cap Screw (2)
36*	11-55-2106	Belt	86*	12-18-0091	Pulley
37*	12-55-0012	Pulley Hub	87	11-19-1738	Jam Nut
38		Deleted			
39	12-18-0059	Splined Gear Hub			
40*	12-18-3933	Spindle Bull Gear Set	36	11-18-2106	Belt
41	11-18-0254	Ball Bearing (2)	37	12-18-0060	Spindle Pulley Hub
42	12-18-0092	Snap Ring (2)	86	12-55-0016	Timing Belt Pulley
43	12-18-0063	Bull Gear Bearing Spacer			
44	12-18-0053	Gear Housing			

**For 1-½ HP Head, Substitute the Following**

\*To Be Purchased As A Set.



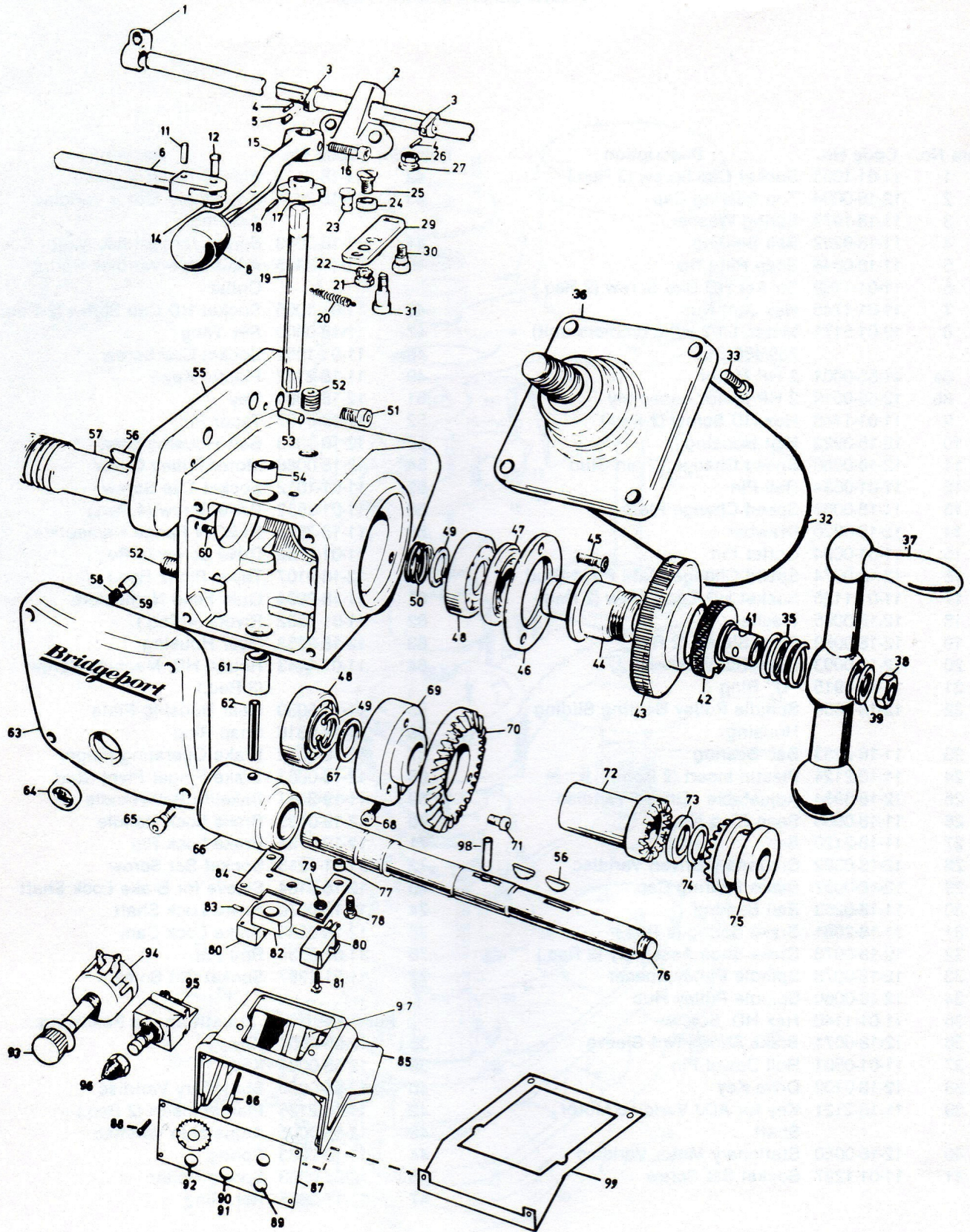
# 2J Head Assembly







# 6F Longitudinal Power Feed Assembly





## 6F Longitudinal Power Feed Assembly

Item No.	Code No.	Description	Item No.	Code No.	Description
1	12-06-0045	Assy, Stop Rod Clamp	56	11-01-3078	Woodruff Key (3 req.)
2	12-06-0300	Bracket	57a	12-63-0084	Longitudinal Lead Screw - 42"
3	11-63-2304	Stop Collar	57b	12-63-0085	Longitudinal Lead Screw - 48"
4	11-01-0507	Roll Dowel	58	11-63-2073	Spring
5	11-01-1265	Socket Set Screw	59	12-63-0068	Detent Pin
6a	12-63-1054	Assy, Stop Rod - 42" Table	60	12-63-0075	Pin
6b	12-63-1055	Assy, Stop Rod - 42" Table	61	11-63-3650	Bronze Bearing
8	11-63-2152	Ball	62	11-01-0411	Taper Pin
11	11-01-0516	Roll Dowel	63	12-63-0053	Side Cover
12	11-63-2470	Fork Pin	64	11-63-3112	Oil Sight
14	11-63-0890	Retaining Ring	65	11-01-1011	10 - 24 x 5/8" S.C.S.
15	12-63-0065	Control Lever	66	12-63-0060	Coupling
16	11-01-1277	Set Screw	67	12-63-0091	Thrust Washer
17	12-63-0072	Clutch Detent Cam	68	11-01-1128	Socket Head Screw
18	11-01-0516	Roll Pin	69	12-63-0069	Gear Mounting Hub
19	12-63-0054	Control Lever Shaft	70	11-63-2216	Gear (Spiroid)
20	11-63-2005	Clutch Arm Spring	70a	11-63-2218	Gear (Spiroid) (Hi Torque)
21	11-01-1740	Locknut	71	11-01-1016	Socket Head Cap Screw
22	11-63-1925	Lockwasher	72	12-63-0062	Clutch - Driving
23	12-63-0076	Clutch Arm Spring Pin	73	12-63-0070	Thrust Bearing
24	12-63-0074	Detent Roller	74	11-63-0838	Retaining Ring
25	12-63-0087	Roller Pin	75	12-63-0063	Clutch - Driven
26	11-01-1705	Hex Nut	76	12-63-0092	Drive Shaft
27	11-63-1925	Lockwasher	77	12-63-0066	Spacer
29	12-63-0073	Clutch Arm	78	11-01-1447	Pan Head Machine Screw
30	11-63-0320	Bearing	79	11-01-1701	Hex Nut (4 req.)
31	11-01-1575	Shoulder Screw	80	11-63-2658	Limit Switch
32	11-63-3728	Motor Cap End	81	11-01-1404	Road Head Machine Screw
33	11-01-1033	Socket Cap Screw (4 req.)	82	12-63-0058	Switch Actuator Housing
35	11-63-2006	Spring	83	12-63-0059	Switch Actuator Pin
36	12-63-1051	Motor Assembly	84	11-63-2610	Switch Mounting Plate
36a	12-63-6423	Motor Assembly (Hi Torque)	85	12-63-6400	Control Box
37	12-63-1057	Handle Assembly	86	11-01-1046	Socket Head Cap Screw (2 req.)
38	11-01-1755	Jam Nut	87	11-63-2576	Power Feed Control Plate
39	12-20-0109	Washer	88	11-01-1190	Button Hd. Socket Screw (4 req.)
41	11-63-3653	Bushing	89	11-63-2659	Switch
42	12-06-0078	Dial Locknut	90	11-63-2607	Fuse Socket
43a	12-06-0083	Dial - Inch	91	11-63-2606	Fuse
43b	12-06-9016	Dial - Metric	92	11-63-2593	Pilot Light
44	12-63-0064	Dial Holder	93	11-63-2153	Knob
45	11-01-1011	Socket Head Screw	94	11-63-2618	Potentiometer
46	12-63-0089	Take-up Cap	95	11-63-2620	Pushbutton Switch *
47	12-63-0067	Lead Screw Seal	96	11-63-2628	Boot, Toggle
48	11-63-0261	Bearing	97	11-63-2568	PC Board
49	11-63-0814	Retaining Ring	98	11-01-3089	Woodruff Key
50	11-63-2074	Clutch Spring	99	12-63-6432	Assy, Back Plate
51	11-01-1074	Socket Head Cap Screw			
52	11-63-5040	Taper Plug			
53	11-01-0543	Dowel Pin			
54	11-63-3638	Bronze Bushing			
55	12-63-0051	Main Housing			
			*	11-63-2506	Boot New Style
			Reference		
				11-63-2511	Boehm Motor Brushes
				11-63-2512	Boehm Motor Brushes