

Logan Lathe

Model 1932
Serial No 64452

PARTS LIST

LOGAN ENGINEERING COMPANY • Chicago, Ill.

#917 #922

HOW TO ORDER REPAIR PARTS

Should you need repair parts for your lathe the following information is necessary to fill your order promptly and correctly.

1. Complete name and number of the part as listed in the parts list.
2. Model and serial number of your lathe. Serial number is stamped on top of the front way at the right end of the lathe.

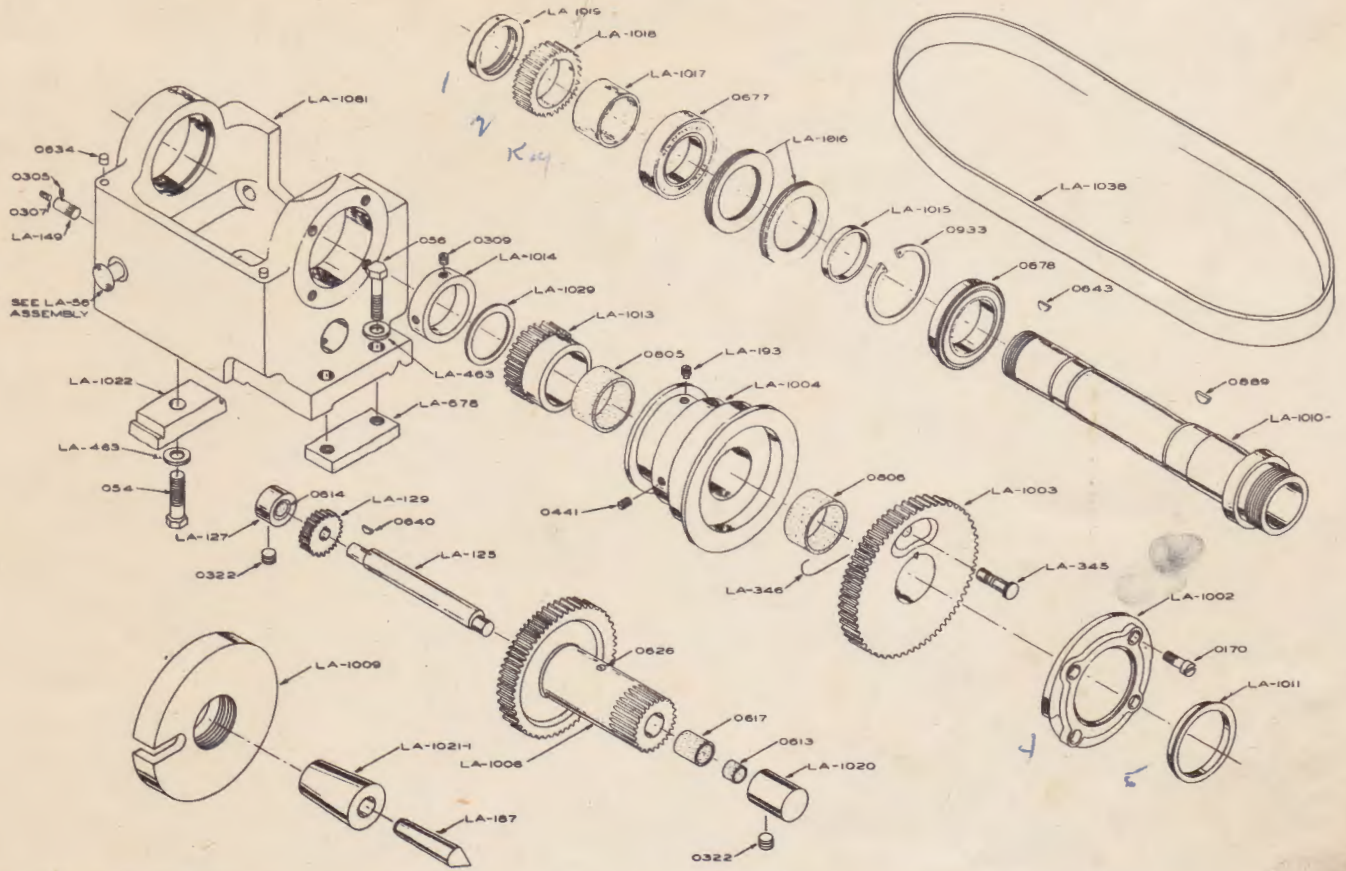
Please place your order through the Logan dealer from whom you obtained the lathe.

PLEASE NOTE: The model and serial number of your lathe must appear on your order to insure prompt shipment.

PRICES SUBJECT TO CHANGE WITHOUT NOTICE

LA-1080-1 HEADSTOCK ASSEMBLY

B H-1

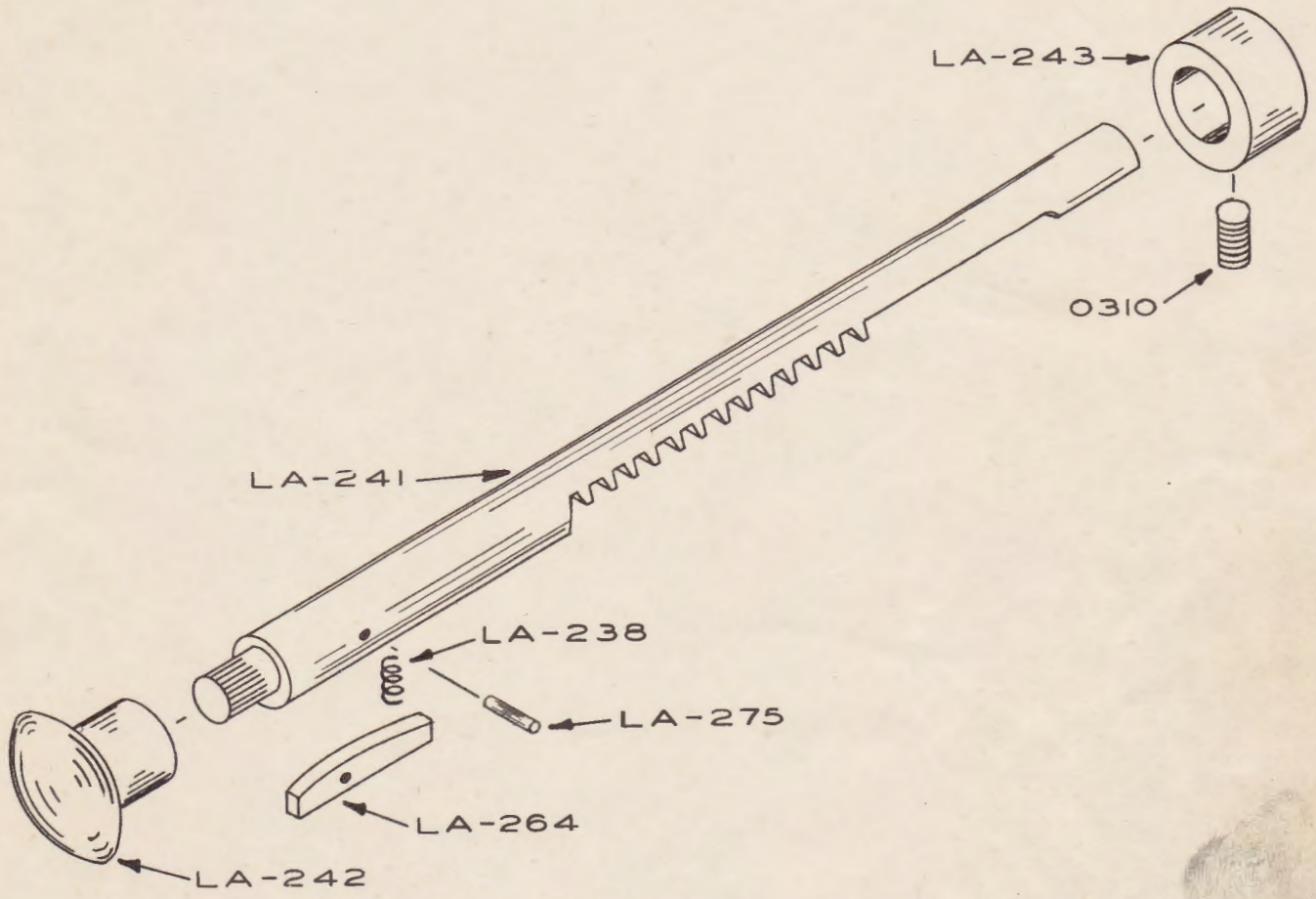


PART NO.	NO. REQ'D	NAME OF PART	SHPG.WT		PRICE
			LBS	OZS	
LA-125	1	Eccentric Shaft . . .	1	12	\$2.15
LA-127-A	1	Bushing with 0614 . .		8	.50
LA-129	1	Shifter Gear		10	.83
LA-149-A	2	Stop Pin with 0305 and 0307		3	.39
LA-187	1	Center		10	2.25
LA-193	1	Lock Screw		3	.88
LA-345	1	Bull Gear Plunger . .		6	.44
LA-346	1	Spring		4	.11
LA-463	3	Washer17
LA-678	1	Headstock Clamp- Front	1		.99
LA-1002	1	Bearing Cover	3		3.91
LA-1003-A	1	Bull Gear Assembly consists of: LA-1003, LA-345, LA-346	6		10.84
LA-1004-A	1	Cone Pulley and Pinion Gear Assem- bly consists of: LA-1005, LA-1013, 0805, 0441 and 2 of 0806	9		20.13
LA-1006-A	1	Back Gear Assembly with 0626 and 2 of 0617	12		15.07
LA-1009	1	6" Face Plate	4		5.50
LA-1010-1	1	Spindle	12		50.00
LA-1011	1	Grease Seal	1		.22
LA-1013-A	1	Cone Pinion Gear with 0805	1		5.83
LA-1014-A	1	Collar with 2 of 0309	1		1.98
LA-1015	1	Spacer		3	1.27
LA-1016	4	Spring Washer (Bellville)		3	.39
LA-1017	1	Spacer		1	3.03
LA-1018	1	Spindle Gear		1	4.24
LA-1019	1	Take-Up Nut		8	2.09
LA-1020-A	1	Bushing with 0613 . .	1		.83

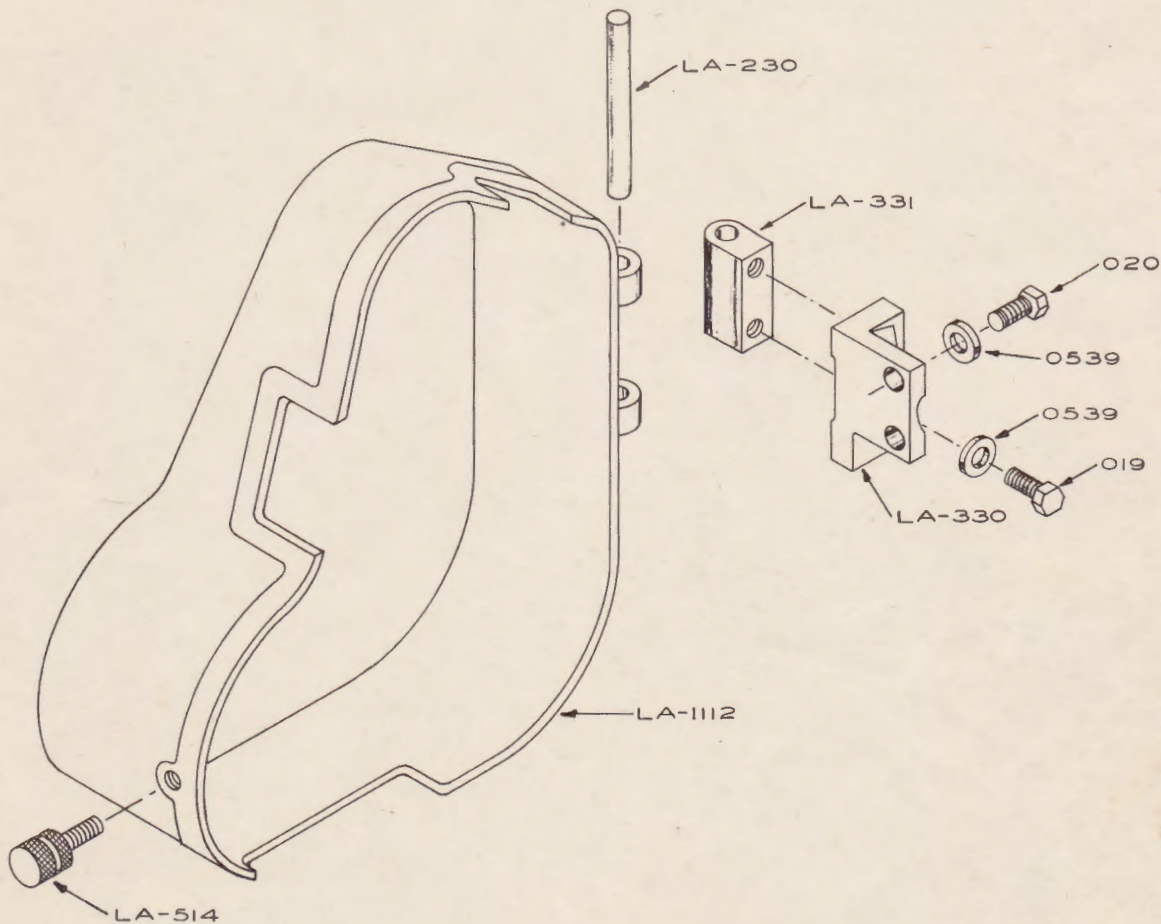
PART NO.	NO. REQ'D	NAME OF PART	SHPG.WT		PRICE
			LBS	OZS	
LA-1021-1	1	Sleeve	1	8	\$4.95
LA-1022	1	Headstock Clamp		8	.88
LA-1038	1	Flat Belt	4		3.30
LA-1081	1	Headstock	33		37.68
054	1	Hex.Head Cap Screw 7/16-14x1-3/4	3		.06
056	2	Hex.Head Cap Screw 7/16-14x2-1/4	3		.11
0170	4	Fillister Head Cap Screw 5/16-18x7/8"	3		.06
0305	2	Socket Set Screw 10-32x3/16"	3		.11
0307	2	Socket Set Screw 10-32x3/8"	3		.11
0309	2	Socket Set Screw 1/4-20x1/4"	3		.11
0322	2	Socket Set Screw 7/16-14x5/16"	3		.17
0441	1	Headless Set Screw 1/4-20x3/8"	3		.06
0613	1	Oilless Bushing	3		.17
0614	1	Oilless Bushing	3		.22
0617	2	Oilless Bushing	4		.28
0626	1	Oil Cup 1/4"	3		.06
0634	2	Rubber Bumper	1		.06
0640	1	Woodruff Key 1/8x1/2"	3		.06
0643	1	Woodruff Key 5/32x5/8"	3		.06
0677	1	Ball Bearing, Rear, 773 L09N3C-P1	1		7.26
0678	1	Ball Bearing, Front, 4773LION3081C-P1 . .	1		8.64
0805	2	Oilless Bushing	5		.28
0806	1	Oilless Bushing	6		.77
0889	1	Woodruff Key 3/4x3/16	3		.06
0933	1	True-Arc Ring	3		.33

LA-56 SHIFTER RACK ASSEMBLY

AN-1



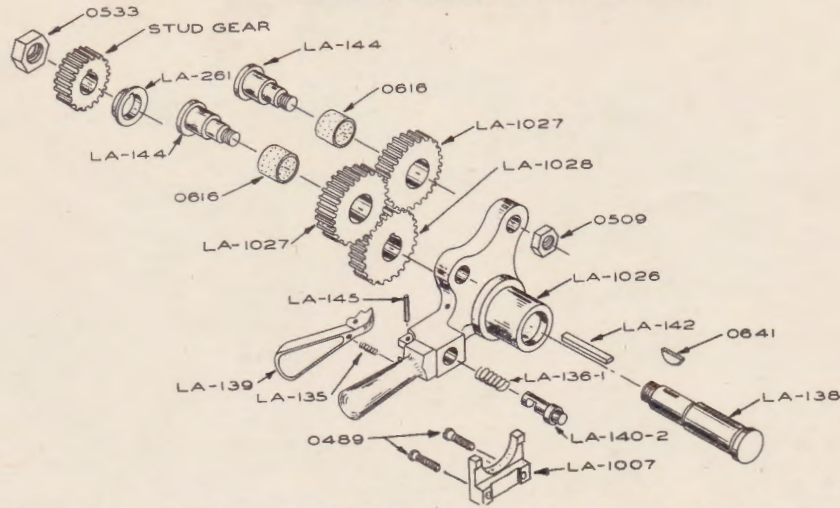
PART NO.	NO. REQ'D.	NAME OF PART	SHIPPING WEIGHT		PRICE EACH
			LBS.	OZ.	
LA-238	1	Spring.		6	\$.06
LA-241-A	1	Shifter Rack complete	1	8	2.59
LA-242	1	Knob.		4	.28
LA-243	1	Collar.		4	.44
LA-264	1	Latch Key		3	.17
LA-275	1	Pin		1	.06
0310	1	Socket Set Screw 1/4-20 x 3/8 . . .		3	.11



PART NO.	NO. REQ'D	NAME OF PART	SHIP. WT.		PRICE EACH
			LBS.	OZ.	
LA-230	1	Hinge Pin.		6	\$.11
LA-330	1	Hinge Bracket.	1	8	1.05
LA-330-A	1	Hinge Bracket Assembly consists of. LA-330, LA-331, and two of #019 and 0539	2		2.50
LA-331	1	Hinge Block.	1		1.27
LA-514	1	Knob		3	.50
LA-1112	1	Gear Guard	14		10.45
019	2	Hex. Head Cap Screw 5/16" -18 x 7/8"		3	.06
020	2	Hex. Head Cap Screw 5/16"-18 x 1"		3	.06
0539	4	Washer 11/32" x 3/4"		3	.06

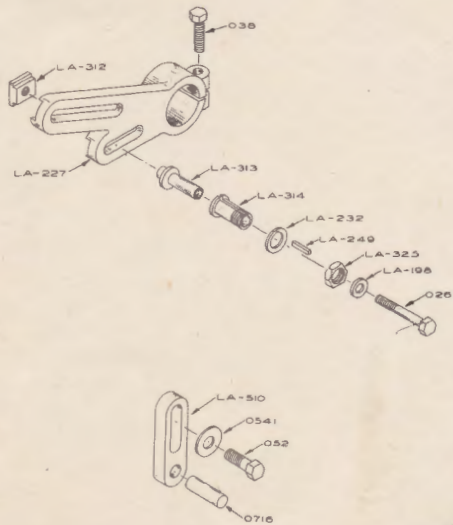
LA-1025 REVERSE GEAR ASSEMBLY

AX



PART NO.	NO. REQ'D,	NAME OF PART	SHPG, WEIGHT		PRICE EACH
			LBS.	OZS.	
LA-135	1	Handle Spring		3	\$.06
LA-136-1	1	Plunger Spring		4	.06
LA-138	1	Reverse Gear Shaft		14	1.05
LA-139	1	Plunger Lever		6	.83
LA-140-2	1	Plunger		3	.44
LA-142	1	Oiler		3	.11
LA-144	2	Pinion Stud		8	.39
LA-145	1	Handle Pin		3	.06
LA-261	1	Spacer		12	.50
LA-1007	1	Lock		6	.50
LA-1026	1	Reverse Gear Bracket	3		8.20
LA-1027-A	2	Idler Gear with 0616	1		1.32
LA-1028	1	Reverse Gear	1		2.15
0489	2	Round Head Screw 10-24 x 3/4"		3	.06
0509	2	Hex.Nut 5/16"-18		3	.06
0533	1	Jam Nut 1/2"-20		3	.06
0616	2	Oilless Bushing		4	.22
0641	1	Woodruff Key 5/32" x 7/8"		3	.06

LA-9 CHANGE GEAR ASSEMBLY

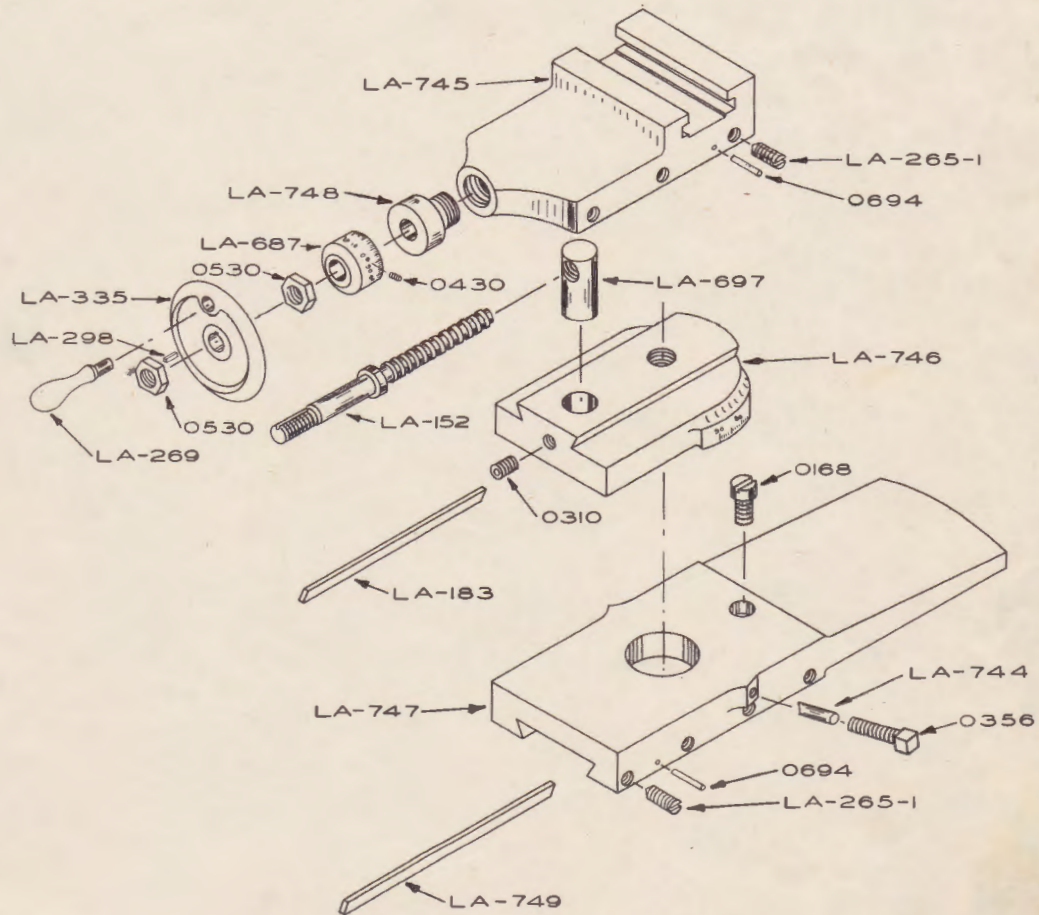
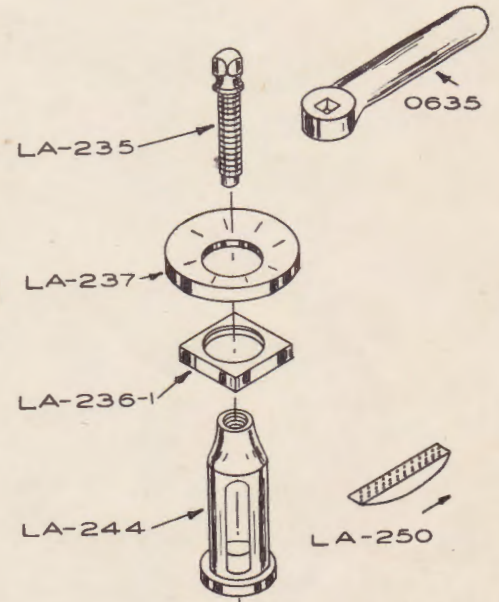


PART NO.	NO REQ'D	NAME OF PART	SHPG WT.		PRICE EACH
			LB.	OZ.	
LA-227	1	Change Gear Bracket	3	12	\$3.25
LA-232	1	Washer		3	.06
LA-249	1	Key		2	.17
LA-312	1	Nut		6	1.10
LA-313	1	Sleeve		8	.99
LA-313-A	1	Change Gear Stud Assembly Consists of: LA232, 249, 312, 313, 314, 325, 026, 0539	2		4.35
LA-314	1	Bushing		8	1.93
LA-325	1	Nut		3	.39
LA-510	1	Stop Bracket		10	1.27
LA-510-A	1	Stop Bracket with Pin 0716		12	1.43
026	1	Hex.Hd.Cap Screw 5/16"-18x2 1/2"		3	.06
038	1	Hex.Hd.Cap Screw 3/8" -16x1 1/2"		3	.06
052	1	Hex.Hd.Cap Screw 7/16"-14x1 1/4"		3	.06
0539	1	Washer 5/16" x 3/4" x 1/16"		3	.06
0541	1	Washer 7/16" x 1" x 5/64"		3	.06
0716	1	Pin11

LA-49-4 COMPOUND REST ASSEMBLY

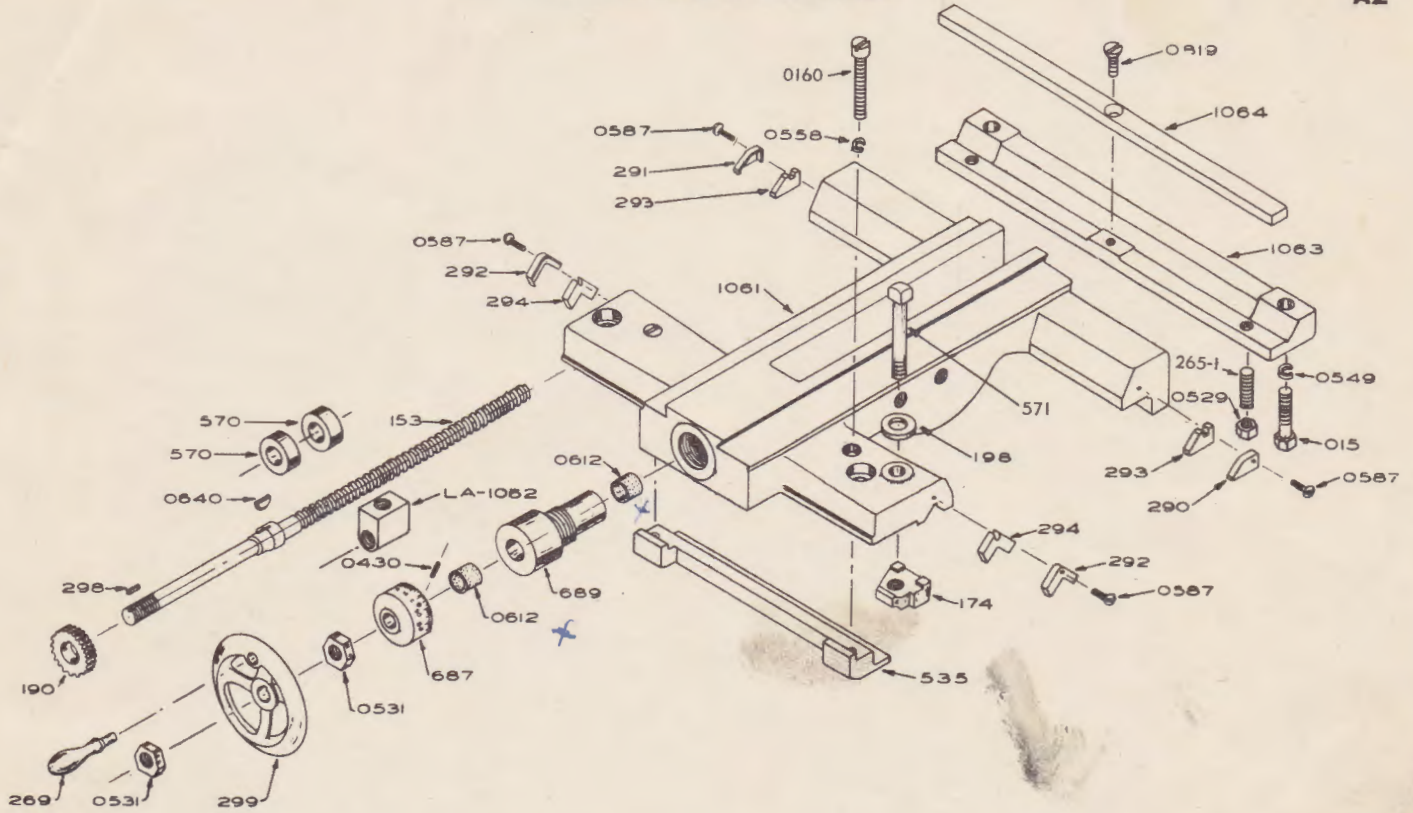
U-8

PART NO.	NO. REQ'D.	NAME OF PART	SHPG. WEIGHT		PRICE EACH
			LS.	OZS.	
LA-152	1	Compound Rest Screw		6	\$1.65
LA-183	1	Top Compound Gib		4	.44
LA-235	1	Tool Post Screw		4	.66
LA-236-1	1	Tool Post Block		3	.61
LA-237	1	Tool Post Ring		4	.83
LA-244	1	Tool Post		12	2.20
LA-244-A	1	Tool Post Complete, consists of:- LA-235, 236-1, 237, 244, 250	1	6	4.35
LA-250	1	Wedge		4	.50
LA-265-1	7	Gib Screw		4	.06
LA-269	1	Handle		4	.44
LA-298	1	Key		3	.17
LA-335	1	Handwheel with 269 and 298	1	8	3.03
LA-687-A	1	Graduated Collar with 0430		8	1.21
LA-697	1	Compound Rest Nut		8	1.10
LA-744	2	Wedge		3	.28
LA-745-A	1	Compound Rest Top with 183 & 0694	5	4	8.14
LA-746-A	1	Swivel with 0310		4	7.98
LA-747-A	1	Compound Rest Base with LB-57, LA-749, #0314 and 0694	6	1	9.08
LA-748	1	Bushing		1	1.76
LA-749	1	Compound Base Gib		8	.44
0168	1	Fillister Head Cap Screw 5/16"-18x5/8"		3	.06
0310	1	Socket Set Screw 1/4"-20 x 3/8"		3	.11
0356	2	Sq. Hd. Set Screw 3/8"-16 x 3/4"		3	.06
0430	1	Socket Set Screw		3	.06
0530	2	Jam Nut 5/16"-24		3	.06
0635	1	Tool Post Wrench		8	.66
0694	2	Groove Pin 1/8" x 3/4"		3	.06

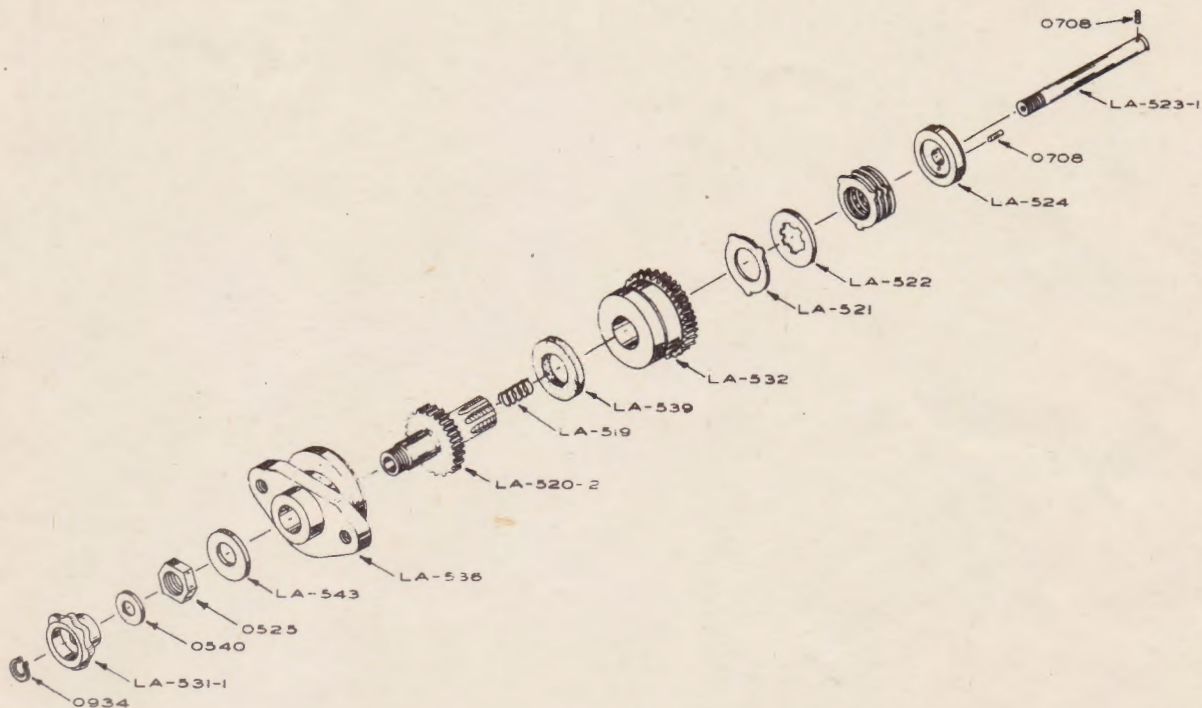


LA-1060 SADDLE ASSEMBLY

AZ



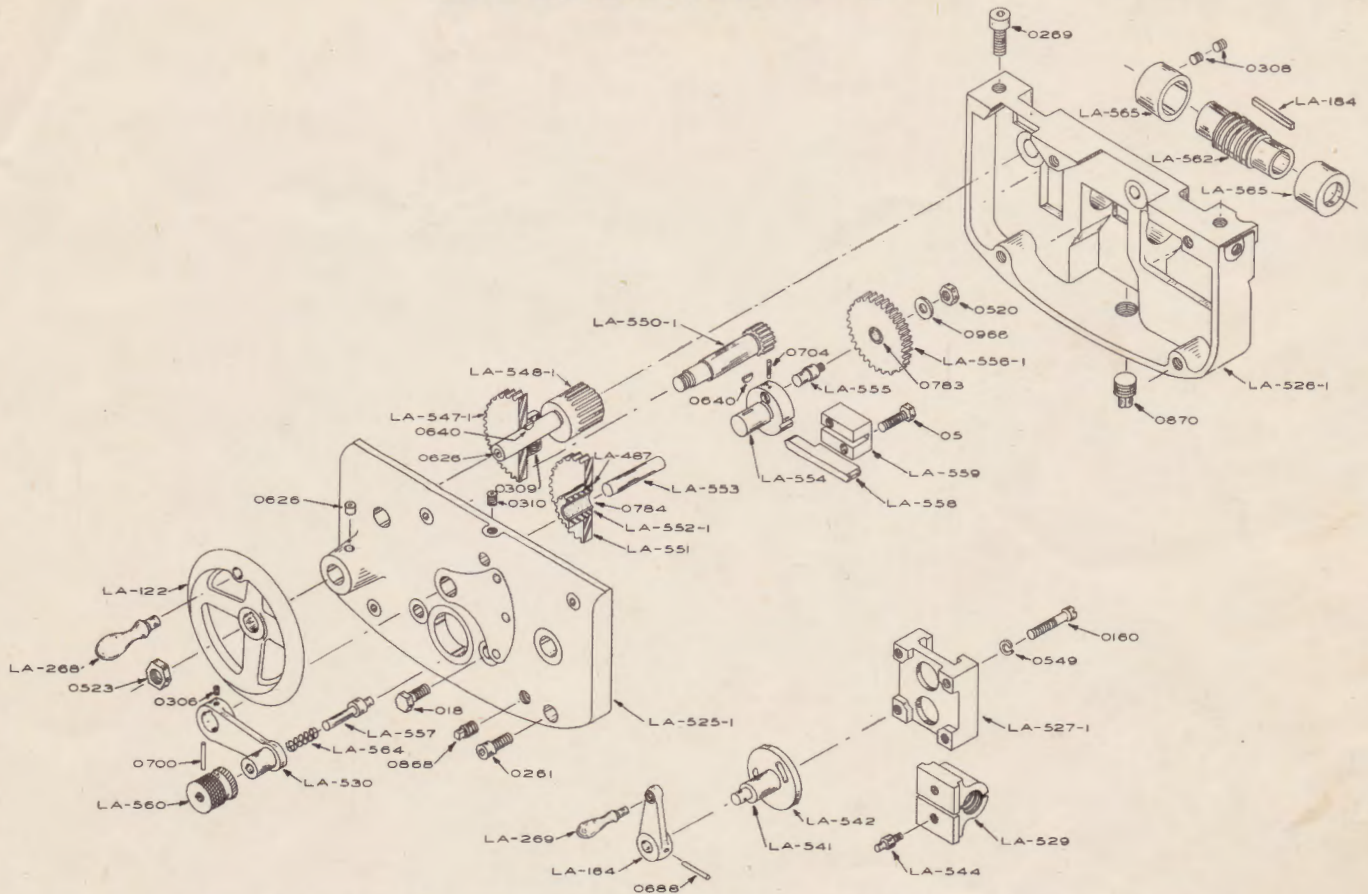
PART NO.	NO. REQ'D.	NAME OF PART	SHPG. WEIGHT		PRICE EACH
			LBS.	OZS.	
→ LA-153-A	1	Cross Feed Screw with 0640	1		\$3.63
LA-174	1	Saddle Lock Nut		5	.22
LA-175	1	Saddle Lock Screw		3	.66
LA-190	1	Cross Feed Idler Gear		4	.06
LA-198	1	Washer		3	.06
LA-269	1	Handle		4	.44
LA-290	1	Wiper-Rear, Right		2	.17
LA-291	1	Wiper-Rear, Left		2	.17
LA-292	2	Wiper-Front		2	.17
LA-293	2	Felt, Rear		2	.11
LA-294	2	Felt, Front		2	.11
LA-298	1	Key		2	.17
LA-299-A	1	Handwheel with LA-269 & LA-298	2	7	3.19
LA-535	1	Front Gib	2		1.87
LA-570	2	Felt Washers		2	.06
LA-687-A	1	Graduate Collar with 0430		8	.28
LA-689-A	1	Bushing with 2 of 0612	1		1.21
LA-994	2	Gib Screw		3	2.09
LA-1061	1	Saddle	21		24.97
LA-1062	1	Cross Feed Nut		4	1.43
LA-1063	1	Rear Gib	3		1.93
LA-1064	1	Gib Bar	2		.61
015	2	Hex. Head Cap Screw, 1/4"-20 x 1-1/4"		3	.06
0159	2	Fillister Hd. Machine Screw 1/4"-20x1 1/4"		3	.06
0430	1	Headless Set Screw 8-32 x 3/8"		3	.06
0529	2	Jam Nut 1/4"-28		3	.06
0531	2	Jam Nut 3/8"-24		3	.06
0549	2	Lockwasher 1/4" x 7/16"		2	.06
0558	2	Lockwasher 1/4"		2	.06
0587	4	Self-Tapping Screw 6-32 x 1/2"		3	.06
0612	2	Oilless Bushing		3	.17
0640	1	Woodruff Key 1/8" x 1/2"		3	.06
0819	1	Flat Head Screw 10-32 x 5/8"		3	.06



PART NO.	NO. REQ'D	NAME OF PART	SHIP. WT.		PRICE EACH
			LBS.	OZ.	
LA-519	1	Spring		6	\$.06
LA-520-2-A	1	Sleeve Gear with 0708	2		8.64
LA-521	4	Clutch Disc. (external tooth)		5	.33
LA-522	4	Clutch Disc. (internal tooth)		5	.33
LA-523-A	1	Clutch Shaft with 0708		3	.88
LA-524	1	Clutch Retainer		3	1.05
LA-531-1	1	Clutch Knob		8	.99
LA-532	1	Worm Wheel	2		9.35
LA-536	1	Bearing Bracket	2		8.25
LA-539	1	Thrust. Ring		3	.83
LA-543	1	Washer		3	.77
0525	1	Jam Nut 5/8-18		3	.06
0540	1	Washer 3/8"x 7/8"x 1/16"		3	.06
0708	2	Drive Pin 3/32" x 3/8"		3	.06
0934	1	Tru Arc Ring		3	.22

815, 816, 820, 821, 825, 840, 840-2, 845, 845-2, 915, 915-1, 920, 920-1, 922, 925, 925-1, 927, 935, 935-2, 940, 940-2, 945, 945-2, 955, 957

LA-55-1 AUTOMATIC APRON ASSEMBLY

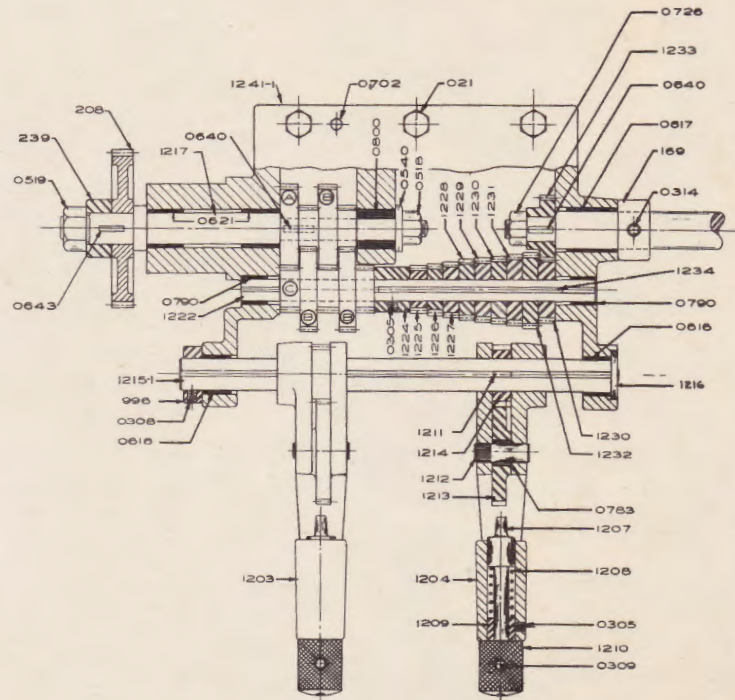
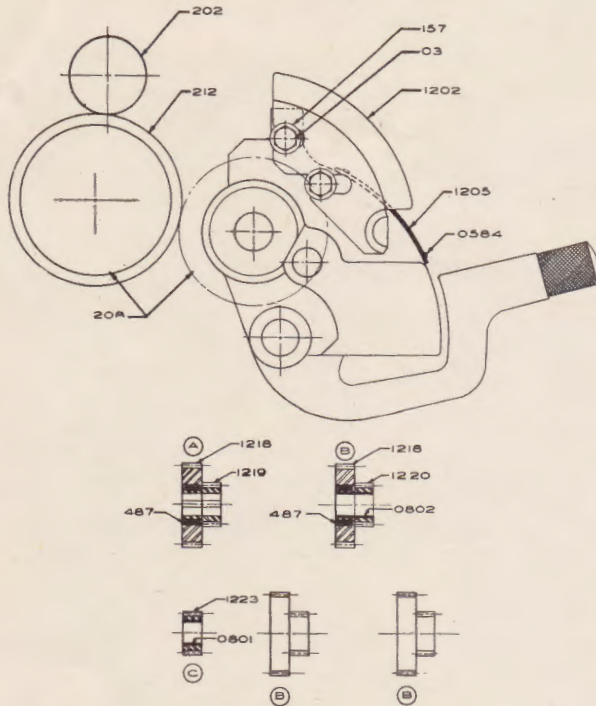


PART NO.	NO. REQ'D	NAME OF PART	SHIP. WT. LBS.	SHIP. WT. OZ.	PRICE EACH	PART NO.	NO. REQ'D	NAME OF PART	SHIP. WT. LBS.	SHIP. WT. OZ.	PRICE EACH
LA-122	1	Apron Handwheel (See LA-122-A)				LA-555	1	Pin (See LA-554-A)			
LA-122-A	1	Apron Handwheel with LA-268	3	8	\$3.03	LA-556-1	1	Gear with 0783	8		\$2.92
LA-164	1	Cam Shaft Lever			.94	LA-557	1	Plunger	3		.28
LA-184	1	Key (See LA-562-A)				LA-558	1	Lock	6		1.10
LA-268	1	Handle			.50	LA-559	1	Lock Guide	3		2.15
LA-269	1	Handle			.44	LA-560	1	Knob	4		.50
LA-487	2	Pin			.22	LA-562	1	Worm (See LA-562-A)			
LA-525-1	1	Apron Front (See LA-525-A-1)				LA-562-A	1	Worm with LA-184	1		9.85
LA-525-A-1	1	Apron Front & Back Assembly consists of: 525, 526-1, 2 of #0616, 0261, 0868 & 0870	15		35.75	LA-564	1	Spring	3		.05
LA-526-1	1	Apron - Back (See LA-525-A)				LA-565	2	Bushing	6		.44
LA-527-1	1	Half Nut Plate	1		1.65	05	2	Hex.Hd.Cap Screw 1/4-20x1	3		.06
LA-529	1 pr.	Half Nut with 544	1		4.35	018	2	Hex.Hd. Cap Screw 5/16-18 x 3/4	3		.06
LA-530	1	Shift Lever	1		3.03	0160	4	Fillister Head Cap Screw 1/4-20 x 1-1/2	3		.06
LA-541	1	Cam Shaft (See LA-541-A)				0261	4	Socket Head Cap Screw 5/16-18 x 7/8	3		.11
LA-541-A	1	Cam Shaft & Cam	4		1.43	0269	2	Socket Head Cap Screw 3/8-16 x 1	3		.11
LA-542	1	Half Nut Cam (See 541-A)				0306	1	Socket Set Screw 10-32 x 1/4	3		.11
LA-544	2	Half Nut Pin	3		.22	0308	4	Socket Set Screw 1/4-20 x 3/16	3		.11
LA-547-1	1	Gear with 0309	1		6.05	0309	1	Socket Set Screw 1/4-20 x 1/4	3		.11
LA-548-1	1	Gear	1		3.30	0310	1	Socket Set Screw 1/4-20 x 3/8	3		.11
LA-550-1	1	Gear	8		3.85	0520	1	Jam Nut 1/4-20	3		.06
LA-551	1	Idler Gear (See 551-A)				0523	1	Jam Nut 7/16-14	3		.06
LA-551-A	1	Idler Gear Assembly consists of: LA-552, 2 of 487, and 0784	1		5.45	0549	4	Lockwasher 1/4 x 7/16	3		.06
LA-552-1	1	Gear (See 551-A)				0626	2	Oil Cup	3		.06
LA-553	1	Shaft	3		.11	0640	2	Woodruff Key 1/8 x 1/2	3		.06
LA-554	1	Eccentric (See LA-554-A)				0688	1	Pin 1/8 x 1	3		.06
LA-554-A	1	Eccentric Assembly with LA-555	1		1.98	0700	1	Pin 3/32 x 1	3		.06
						0704	1	Pin 3/32 x 1/2	3		.06
						0783	1	Oilless Bearing	3		.11
						0784	1	Oilless Bearing	3		.11
						0868	1	Pipe Plug 1/8	3		.06
						0870	1	Pipe Plug 3/8	3		.06
						0968	1	Washer	3		.11

815, 816, 820, 821, 825, 840, 840-2, 845, 845-2, 915, 915-1, 917, 920, 920-1, 922, 925, 925-1, 927, 935, 935-2, 840, 940-2, 945, 945-2, 955, 957

LA-1240-1 GEAR BOX ASSEMBLY

R-1



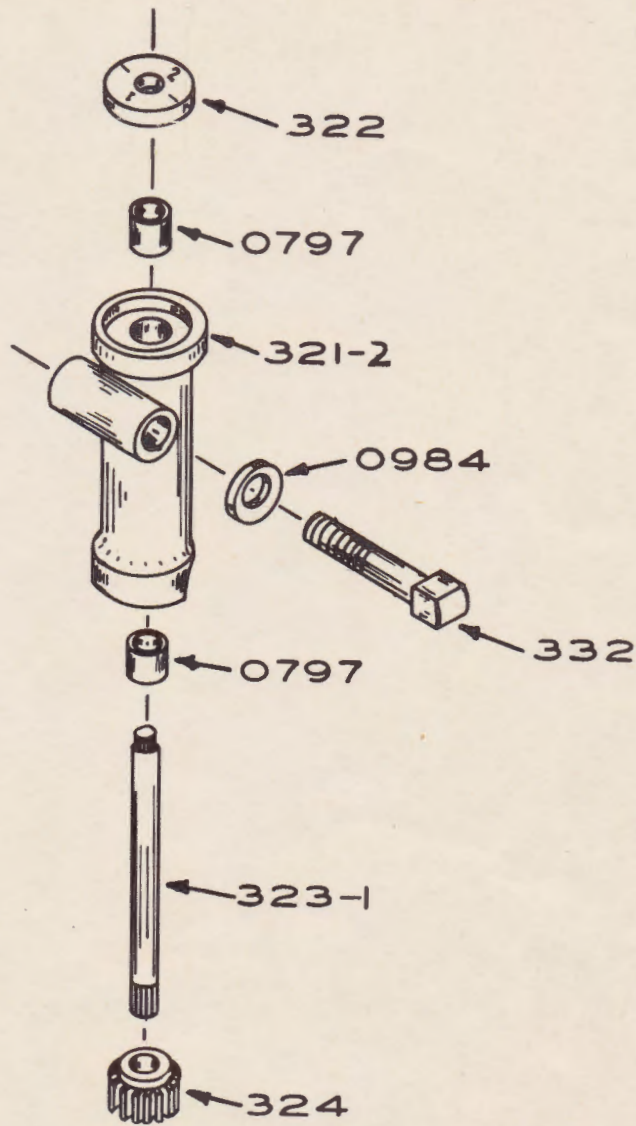
PART NO.	NO. REQ'D		SHIP. WT.		PRICE EACH
			LBS.	OZ.	
LA-157-1	2	Washers		4	\$.17
LA-169-A	1	Collar w/#0314.		6	.22
LA-202	1	Change Gear 24T		4	1.16
LA-208	2	Change Gear 48T	1		1.98
LA-212	1	Change Gear 60T	1	6	2.64
LA-239	1	Collar		4	.33
LA-487	8	Pin		3	.22
LA-996-A	1	Collar w/2-0309		5	.94
LA-1202	1	End Guard		3	.61
LA-1203-A	1	Gear Box Lever Left - Assembly consists of LA-1203, LA-1207, LA-1208, LA-1209, LA-1210, 0305, 0309	3		5.50
LA-1204-A	1	Gear Box Lever Right - Assembly consists of LA-1204, LA-1207, LA-1208, LA-1209, LA-1210, 0305, 0309	3		5.50
LA-1205	1	Thread Chart	3		.55
LA-1207	2	Plunger	3		.83
LA-1208	2	Spring	3		.06
LA-1209	2	Bushing	3		.06
LA-1210	2	Knob	4		.50
LA-1211	2	Key-See LA-1214	3		
LA-1212	2	Pin	3		.11
LA-1213-A	2	40T Gear with 0783.	8		2.26
LA-1214-A	2	22T Gear with LA-1211	6		1.32
LA-1215-1	1	Shaft	14		1.32
LA-1216	1	Washer	3		.17
LA-1217	1	Shaft	1		4.73
LA-1218	4	See 1219-A & 1220-A			
LA-1219-A	1	Gear Assembly-A	8		3.41
LA-1220-A	3	Gear Assembly-B	8		3.41
LA-1222-1	1	Shaft	1		.88
LA-1223	1	16T Gear	4		1.05
LA-1224	1	Spacer	3		.66
LA-1225	1	16T Gear	4		.83
LA-1226	1	18T Gear	6		.94
LA-1227	1	20T Gear	6		1.10
LA-1228	1	22T Gear	6		1.32
LA-1229	1	23T Gear	6		1.38

PART NO.	NO. REQ'D		SHIP. WT.		PRICE EACH
			LBS.	OZ.	
LA-1230	2	24T Gear		6	\$1.38
LA-1231	1	26T Gear		6	1.43
LA-1232	1	28T Gear		6	1.49
LA-1233	1	24T Gear		6	1.54
LA-1234	1	Key		3	.06
LA-1241-A	1	Gear Box Assembly consists of LA-1241, LA-1206, 2-03, 4-0584, 0617, 2-0621, 2-0790, 0968, and 0800	12		16.50
03	2	Hex. Head Cap Screw 1/4"-20 x 7/8"		3	.06
021	3	Hex. Head Cap Screw 5/16"-18 x 1-1/4"		3	.06
0305	3	Set Screw 10-32 x 3/16"		3	.11
0308	2	Set Screw 1/4" x 3/16"		3	.11
0309	2	Set Screw 1/4"-20 x 1/4"		3	.11
0314	1	Set Screw 5/16"-18 x 5/16"		3	.11
0518	1	Hex Nut 3/8"-24		3	.17
0519	1	Hex. Nut 1/2"-20		3	.06
0540	1	Washer 3/8" x 7/8" x 1/16"		3	.06
0584	4	Drive Screws 2 x 3/16"		3	.06
0616	2	Oilless Bearing		3	.22
0617	1	Oilless Bearing		3	.28
0621	2	Oilless Bearing		3	.17
0640	2	Woodruff Key 1/8" x 1/2"		3	.06
0643	1	Woodruff Key 5/32" x 5/8"		3	.06
0726	1	Hex. Nut 7/16"-14		3	.06
0702	1	Dowel Pin		3	.06
0783	2	Oilless Bearing		3	.11
0790	2	Oilless Bearing		3	.11
0800	1	Oilless Bearing		3	.17
0801	1	Oilless Bearing		4	.11
0802	3	Oilless Bearing		4	.11
0968	2	Washer		3	.11

815, 816, 820, 821, 825, 840, 840-2, 845, 845-2, 915, 915-1, 920, 920-1, 922, 925, 925-1, 927, 935, 935-2, 940, 940-2, 945, 945-2, 955, 957, 935, 935-2

LA-12-2 DIAL INDICATOR ASSEMBLY

Y-6

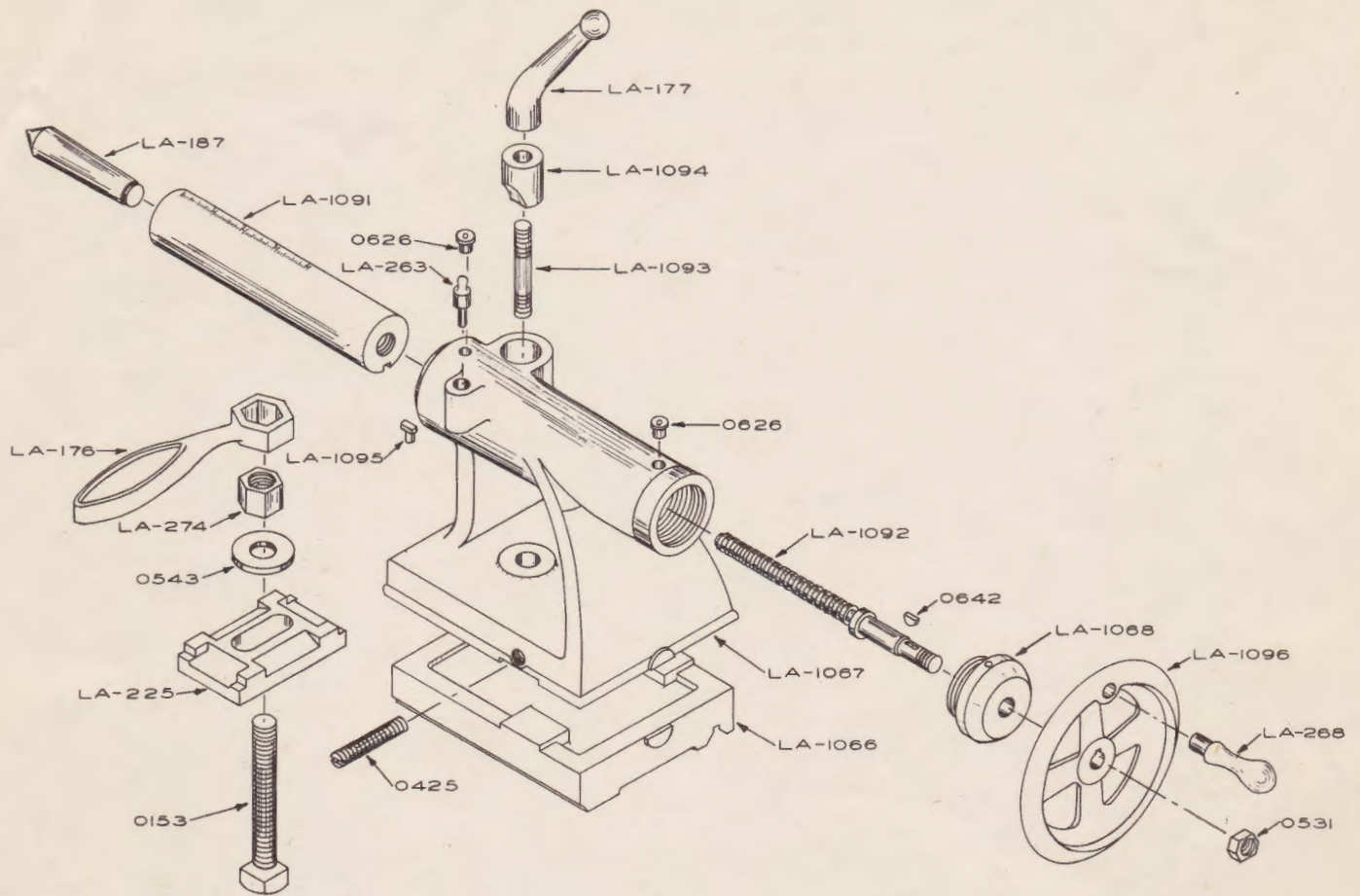


PART NO.	NO. REQ'D	NAME OF PART	SHIP. WT.		PRICE EACH
			LBS.	OZ.	
LA-12-2	1	Dial Indicator Assembly Complete.	1	8	\$3.63
LA-321-1	1	Housing		14	2.75
LA-322	1	Dial.		3	.22
LA-323-1	1	Shaft		6	.17
LA-324	1	Gear.		3	.72
LA-332	1	Screw		4	.39
0797	2	Oilless Bearing		3	.11
0984	1	Washer.		2	.06

200, 201, 210, 211, 815, 816, 820, 821, 825, 840, 840-2, 845, 845-2, 850, 850-2, 905, 907, 910, 912, 915, 915-1, 920, 920-1, 922, 925, 925-1, 927, 940, 940-2, 945, 945-2, 950, 950-2, 955, 957, 935, 935-2

LA-1065 TAILSTOCK ASSEMBLY

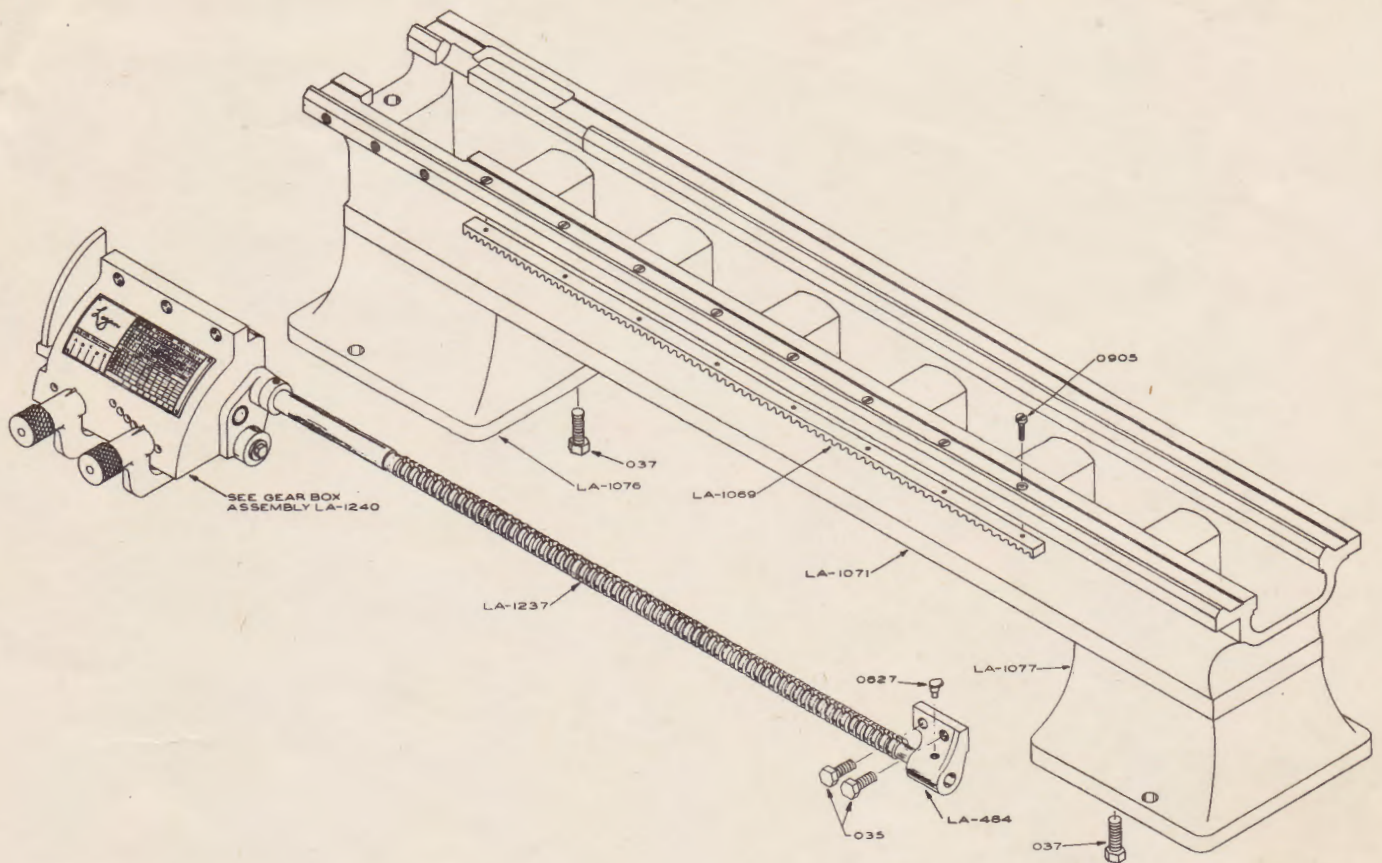
BA



PART NO.	NO. REQ'D	NAME OF PART	SHPG. WT.		PRICE EACH
			LBS.	OZ.	
LA-176	1	Tailstock Wrench	1		\$.66
LA-177	1	Binding Lever.		12	1.05
LA-187	1	Center		14	2.25
LA-225	1	Tailstock Clamp.	1	8	.66
LA-263-A	1	Knob with 0694		3	.22
LA-268	1	Handle		6	.50
LA-274	1	Hex. Nut 1/2"-13		3	.17
LA-1066	1	Tailstock Base	7		5.28
LA-1067	1	Tailstock.	15		24.37
LA-1068	1	Screw Retainer	1		3.47
LA-1091	1	Tailstock Spindle.	3		7.76
LA-1092	1	Tailstock Screw.	1		2.64
LA-1093	1	Tailstock Stud		6	.33
LA-1094	1	Binding Plug		8	.17
LA-1095	1	Spindle Key.		3	.17
LA-1096	1	Handwheel with LA-268.	3		3.14
0153	1	Square Head Machine Bolt		3	.17
0461	2	Headless Set Screw		3	.06
0531	1	Jam Nut 3/8"-24.		3	.06
0543	1	Washer		3	.06
0626	2	Oil Cup 1/4"		3	.06
0642	1	Woodruff Key 3/32" x 1/2".		3	.06

LA-1070 BED ASSEMBLY

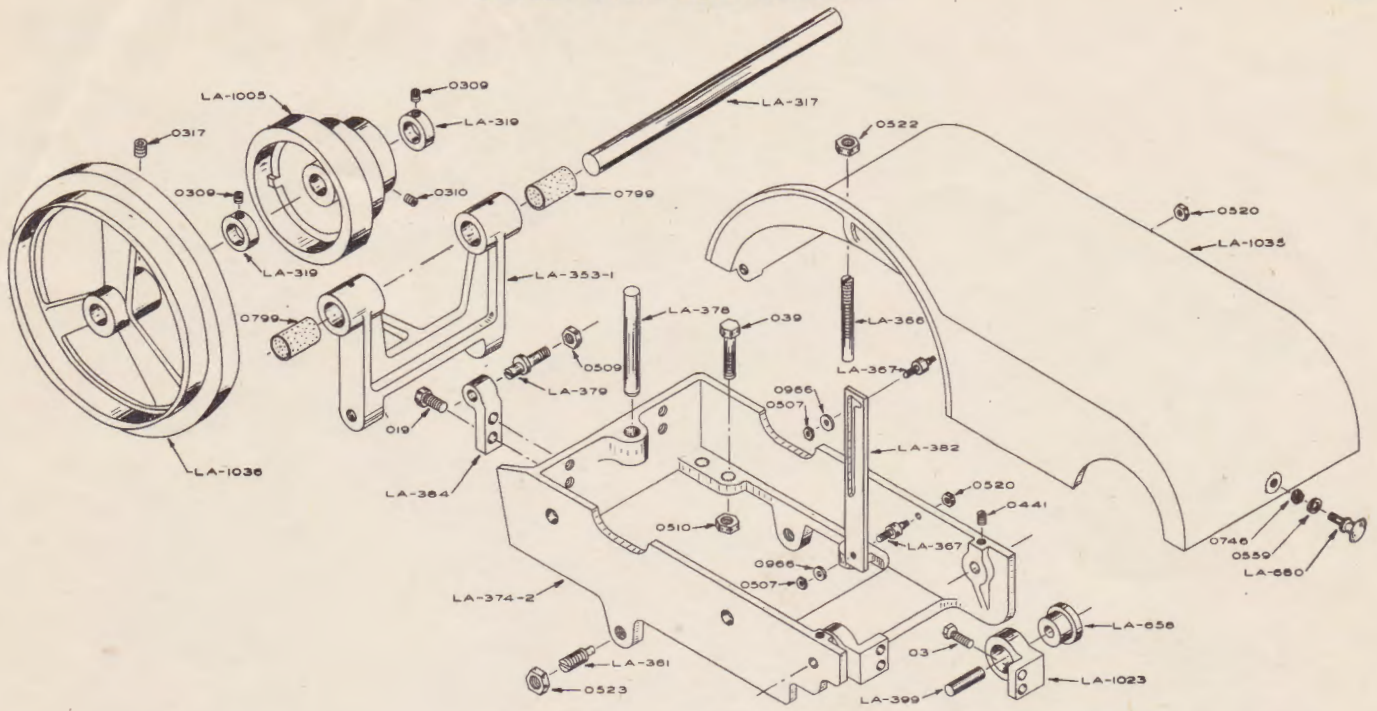
BE



PART NO.	NO. REQ'D.	NAME OF PART	SHPG. WEIGHT		PRICE EACH
			LBS.	OZS.	
LA-484-4	1	Lead Screw Bracket with 0627	2		\$2.81
LA-1069	1	Rack	4		3.25
LA-1071	1	Bed.	155		85.31
LA-1076	1	Bed Support, Left.	11		6.71
LA-1077	1	Bed Support, Right	12		6.44
LA-1237	1	Lead Screw	8		10.84
035	2	Hex. Head Cap Screw 3/8-16 x 7/8		3	.06
037	8	Hex. Head Cap Screw 3/8-16 x 1-1/4		3	.06
0627	1	Oil Cup 1/4"		3	.06
0905	8	Machine Screw 10-32 x 9/16		3	.06

LA1034 DRIVE BOX ASSEMBLY

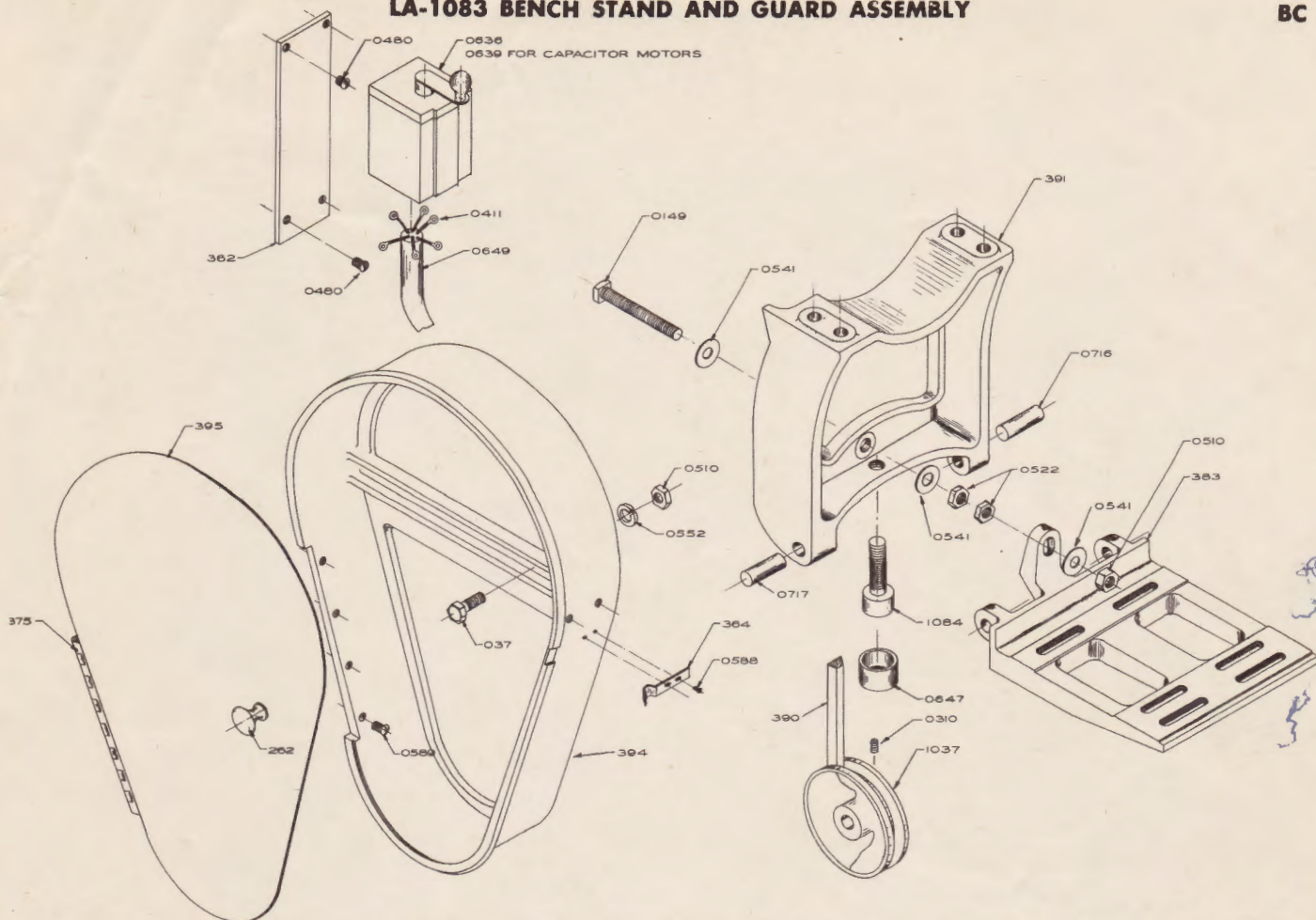
BB



PART NO.	NO. REQ'D	NAME OF PART	SHIP. WT.		PRICE EACH
			LBS.	OZ.	
LA-317	1	Shaft.	2	3	\$.77
LA-319-A	2	Collar with 0309		5	.39
LA-353-1	1	Countershaft Bracket w/2 of 0799	5	8	4.24
LA-361	2	Pivot Screw.		4	.17
LA-366	1	Adjusting Screw.		3	.39
LA-367	2	Shoulder Pin		3	.17
LA-374-2	1	Drive Box.	19	8	10.95
LA-378	1	Plunger.		5	.22
LA-379	2	Hinge Pin.		4	.39
LA-382	1	Stay Bar		6	.33
LA-384	2	Hinge Bracket.		6	.66
LA-399	2	Pin.		3	.11
LA-658	2	Rubber Bushing		3	.11
LA-680	1	Knob		3	.50
LA-1005-A	1	Cone Pulley w/2 of 0310.	8		15.07
LA-1023	2	Hinge Bracket.		6	1.60
LA-1035	1	Drive Box Cover.	37		23.54
LA-1036-A	1	Pulley with 0317	4		12.71
03	4	Hex. Head Cap Screw 1/4"-20 x 7/8"		3	.06
019	4	Hex. Head Cap Screw 5/16"-18 x 7/8"		3	.06
039	4	Hex. Head Cap Screw 3/8" x 16 x 1-3/4"		3	.06
0309	2	Socket Set Screw 1/4"-20 x 3/16"		3	.11
0310	2	Socket Set Screw 1/4"-20 x 3/8"		3	.11
0317	1	Socket Set Screw 3/8"-16 x 3/8"		3	.11
0441	2	Headless Set Screw 1/4"-20 x 3/8"		3	.06
0507	2	Hex. Nut 10-32		3	.06
0509	2	Hex. Nut 5/16"-18.		3	.06
0510	4	Hex. Nut 3/8"-16		3	.06
0520	2	Jam Nut 1/4"-20.		3	.06
0522	1	Jam Nut 3/8"-16.		3	.06
0523	2	Jam Nut 7/16"-14		3	.06
0559	1	Washer		3	.06
0746	1	Jam Nut 1/4"-28.		3	.06
0799	2	Oilless Bushing.		4	.22
0966	2	Burr Washer.		3	.06

LA-1083 BENCH STAND AND GUARD ASSEMBLY

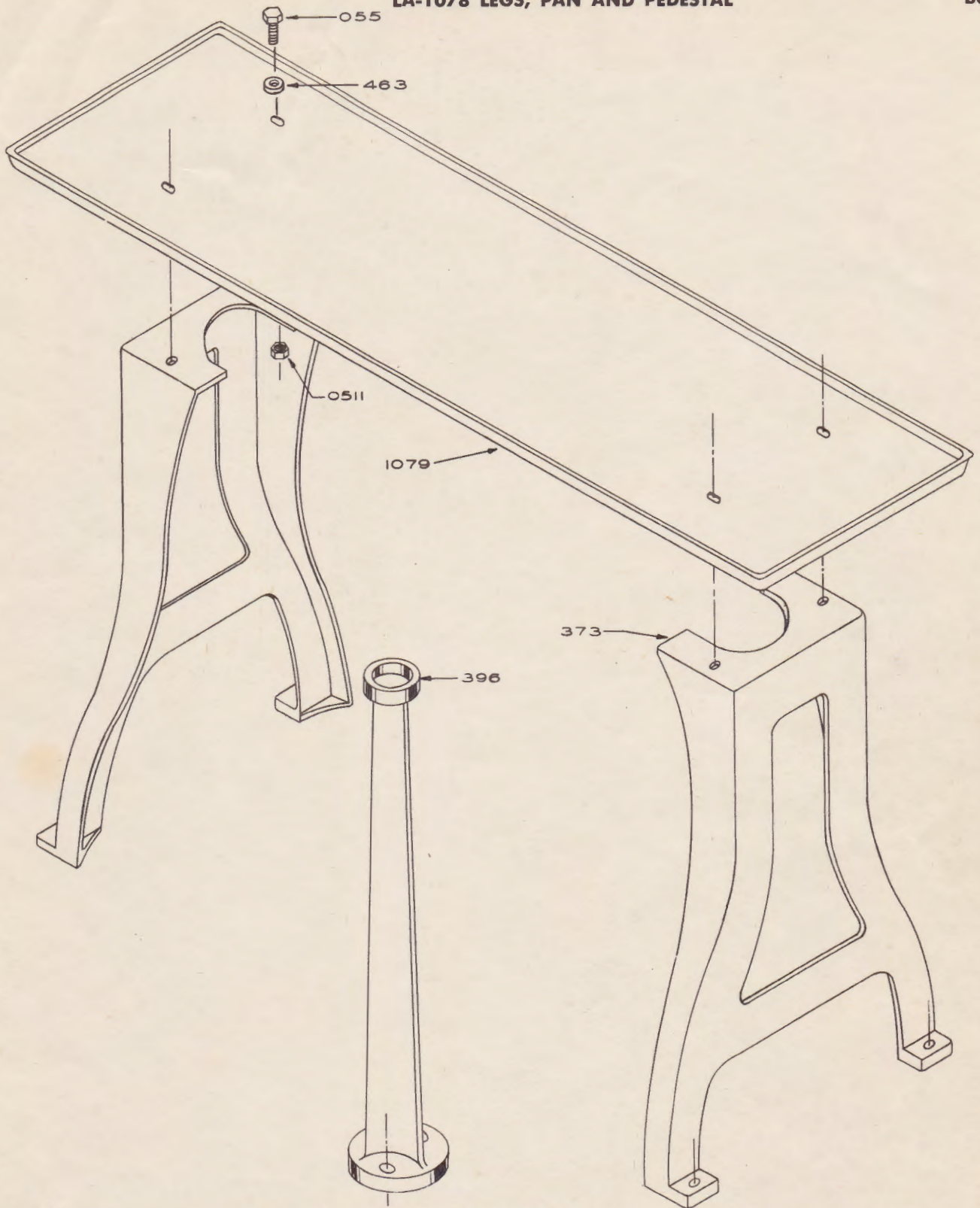
BC



PART NO.	NO. REQ'D	NAME OF PART	SHIP. WT.		PRICE EACH
			LBS.	OZ.	
LA-262	1	Knob		2	\$.44
LA-362	1	Switch Bracket	2		.72
LA-364	1	Spring		3	.17
LA-375	1	Hinge (Included in 395).			
LA-383	1	Motor Bracket.	10		4.35
LA-390	1	V Belt		6	1.54
LA-391	1	Bench Stand.	17		7.65
LA-394	1	Guard Frame.	20	8	9.74
LA-395-1	1	Guard Door with 375.	5		4.35
LA-1037-A	1	Motor Pulley w/0310, 5/8" or 3/4" bore	2		6.65
LA-1083	1	Adjusting bolt		6	.66
037	2	Hex. Hd. Cap Screw 3/8"-16 x 1-1/4".		3	.06
0149	1	Square Head Bolt 3/8"-16 x 3-1/2".		3	.11
0310	1	Socket Set Screw 1/4"-20 x 3/8".		3	.11
0411	6	Terminal Lugs.		3	.06
0480	4	Round Head Screw 1/4"-20 x 3/8".		3	.06
0510	3	Hex. Nut 3/8"-16		3	.06
0522	2	Jam Nut 3/8"-16.		3	.06
0541	4	Washer		3	.06
0552	2	Lock Washer 7/16" x 3/4".		3	.06
0588	2	Screw 8 x 5/16".		3	.06
0589	4	Drive Screw 10-32 x 5/16".		3	.06
0636	1	Drum Switch.	2		8.53
0647	1	Rubber Foot.		6	.11
0649	1	Cable 29".	1		2.75
0716	1	Pin.		3	.11
0717	1	Pin.		3	.11

LA-1078 LEGS, PAN AND PEDESTAL

BG



PART NO.	NO. REQ'D.	NAME OF PART	SHPG. WEIGHT		PRICE EACH
			LBS.	OZS.	
LA-373	2	Floor Legs	75		\$25.85 pr
LA-396	1	Pedestal Leg	25		10.73
LA-449	4	Rubber Washers		3	.06
LA-463	4	Washer		3	.17
LA-1079	1	Chip Pan	18		24.75
055	4	Hex. Head Cap Screw, 7/16"-14x2"		3	.06
0511	4	Hex. Nut, 7/16"-14		3	.06

