

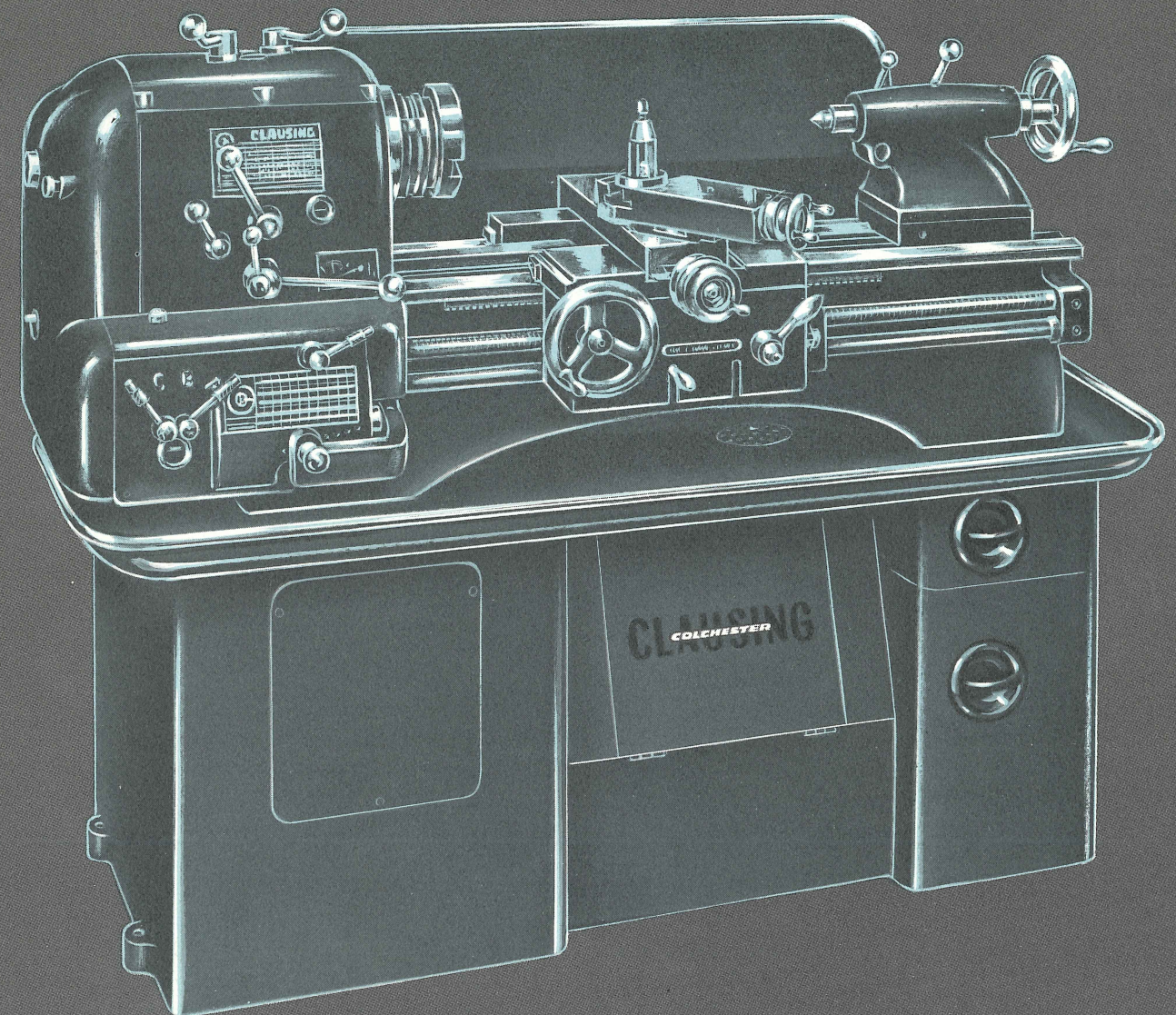
CLAUSING COLCHESTER / specifications

capacities	13-inch lathes	15-inch lathes	17-inch lathes
Swing over bed	13"	15"	17"
Swing over cross slide	8"	8 ³ / ₄ "	10 ¹ / ₈ "
Distance between centers	24" or 36"	30" or 48"	78"*
Swing in gap	18"	24"	28"
Length of gap in front of face plate	4 ¹ / ₂ "	6"	9 ¹ / ₄ "
headstock			
Hole thru spindle	1 ¹ / ₁₆ "	2 ¹ / ₁₆ "	3 ¹ / ₁₆ "
Spindle taper key drive	L-0	L-1	L-2
Taper in spindle bushing	No. 3 MT	No. 4 MT	No. 5 MT
spindle bearing O.D.			
Front	4"	5 ¹ / ₂ "	7 ¹ / ₂ "
Rear	3 ⁹ / ₁₆ "	4 ³ / ₈ "	6"
tailstock			
Spindle dia.	1.700"	2.500"	2.687"
Center	No. 3 MT	No. 4 MT	No. 5 MT
spindle speeds			
Number	16	16	16
Range, rpm	39-1500	30-1200	28-900
motor			
Two-speed, hp	3-1 ¹ / ₂	5-2 ¹ / ₂	8-4
threads and feeds			
Number of threads	45	45	45
Thread range	4-112	4-112	4-112
Number of feeds	45	45	45
Feed range	0.068"-0.0025"	0.048"-0.0017"	0.050"-0.0018"

*Cap bed lathe also available with 54" centers.

CLAUSING COLCHESTER 13" 15" 17"

GEARED-HEAD PRECISION LATHES



CLAUSING
DIVISION OF ATLAS PRESS COMPANY

1915-2023 N. PITCHER ST., KALAMAZOO, MICH., U.S.A.

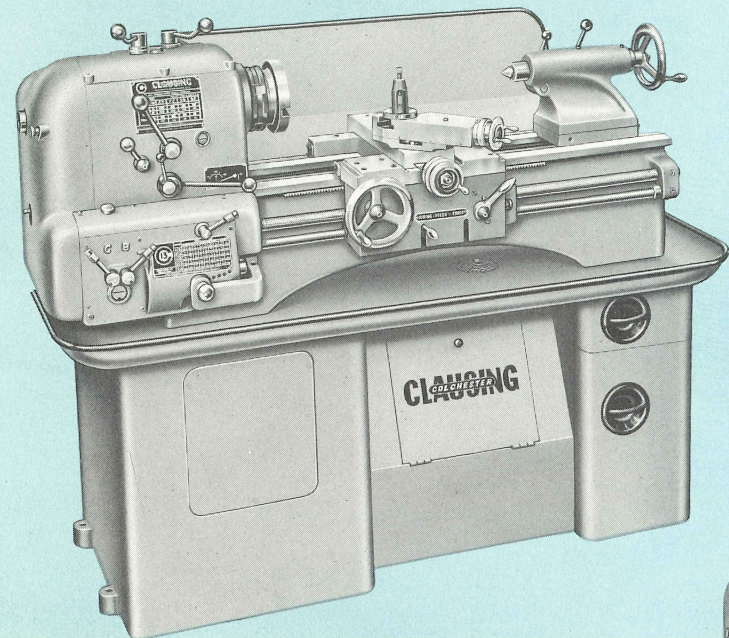
PRINTED IN U.S.A.

Ph. Area Code: 616 345-7155

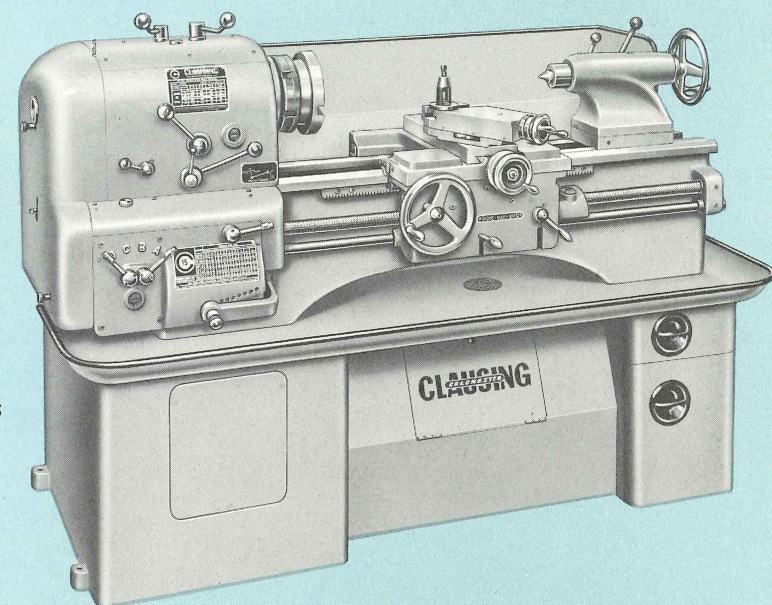
CATALOG COLC-1 1B

CLAUSING

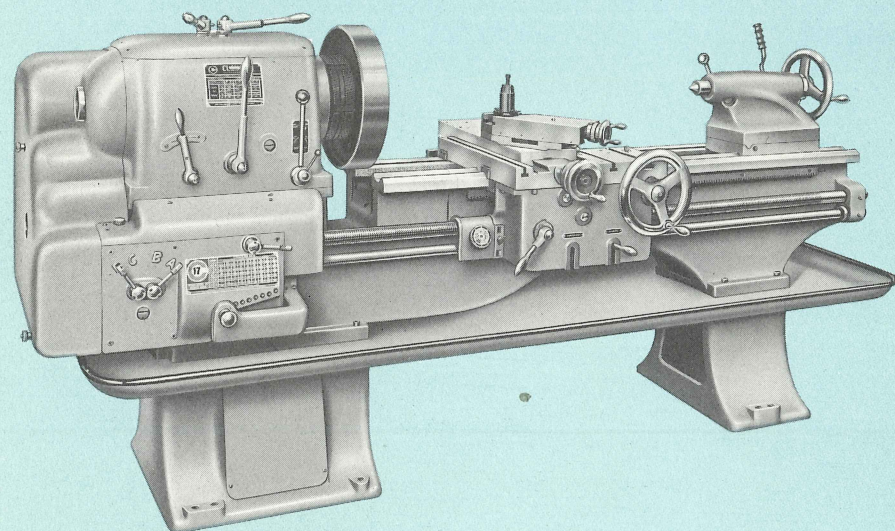
COLCHESTER



13" geared-head precision lathes



15" geared-head precision lathes



17" geared-head precision lathes

All Clausing-Colchester lathes are available with straight or gap beds — and, equipped for high-speed thread cutting and for profiling.

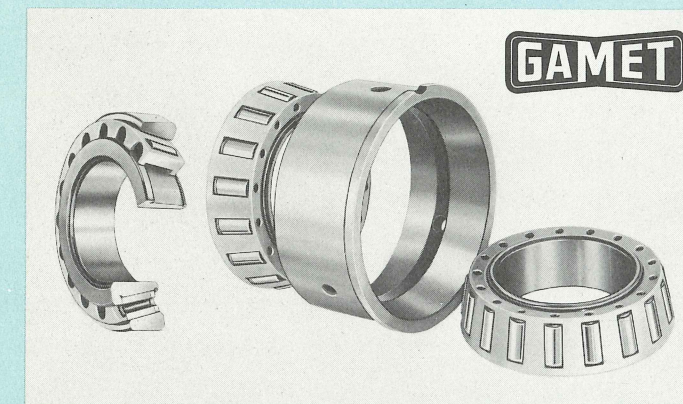
You get more . . . in job capacity and value . . . with Clausing-Colchester geared-head lathes. They are built to tool room standards of accuracy and are world renowned for dependability.

In addition, the wide range of accessories — combined with big work capacity — gives Clausing-Colchester greater versatility. Hydraulic tracer and high-speed threading attachments, for example, equip the lathe for top efficiency in specialized turning, yet in no way interfere with normal operations.

13", 15", 17" geared-head lathes — straight and gap bed models

Bigger spindle capacity is one of the many *plus* features of Clausing-Colchester lathes — note sizes in chart below.

Lathe	17"	15"	13"
Hole thru spindle	3 $\frac{1}{16}$ "	2 $\frac{1}{16}$ "	1 $\frac{1}{16}$ "
Nose taper key drive	L-2	L-1	L-0



Every Clausing-Colchester lathe must turn round to within .0001". This remarkable accuracy is due in part to the Gamet Micron Precision tapered roller spindle bearings with oil-flow lubrication — world-famous for precision and efficiency.

And the accuracy of *each* lathe is verified at the factory by inspecting a turned work piece on a Talyrond which records roundness on a graph like the one at right. Work piece and graph are supplied with lathe.

Ask for catalog 5756 — get all the facts about Clausing-Colchester before investing in *any* lathe.

