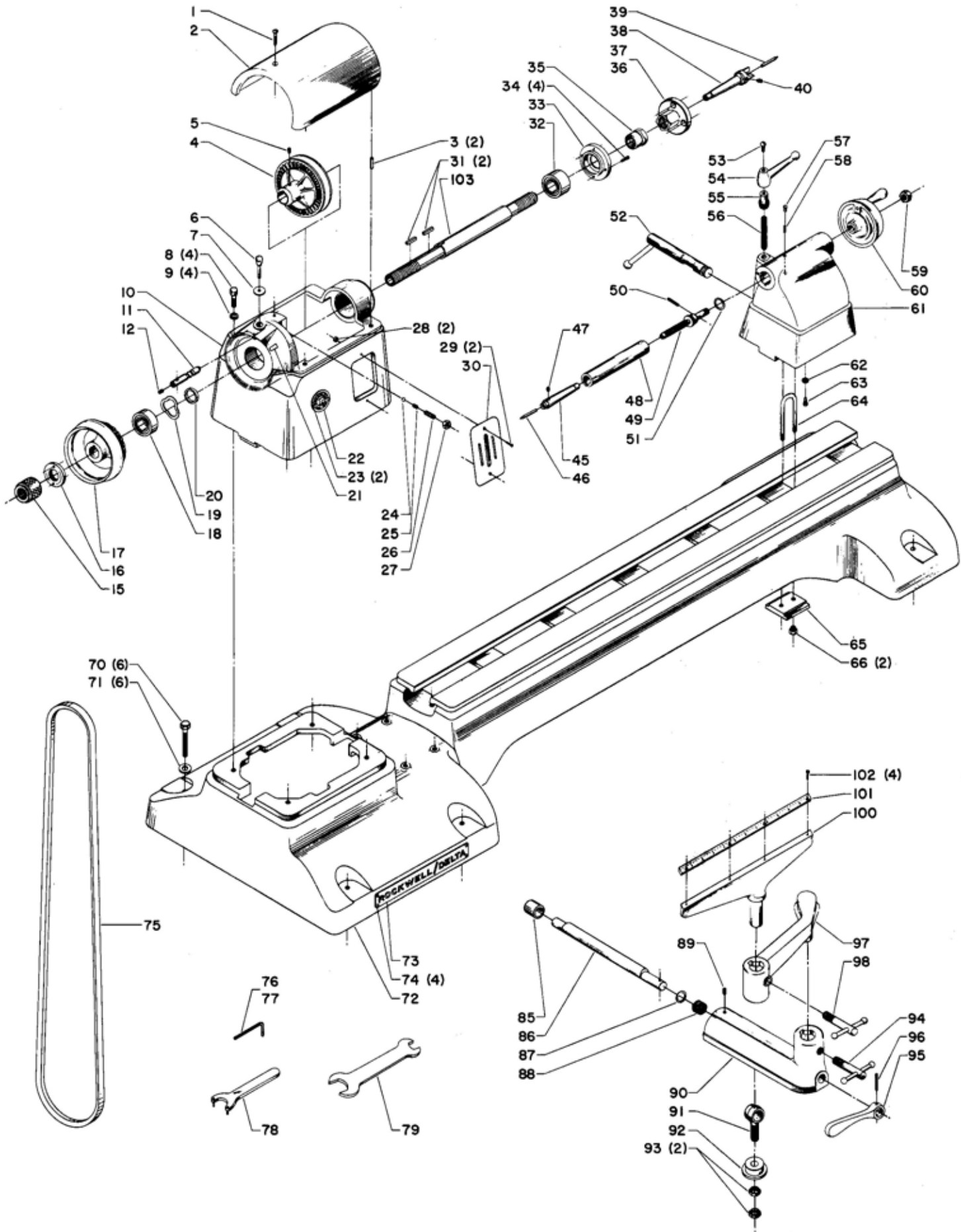


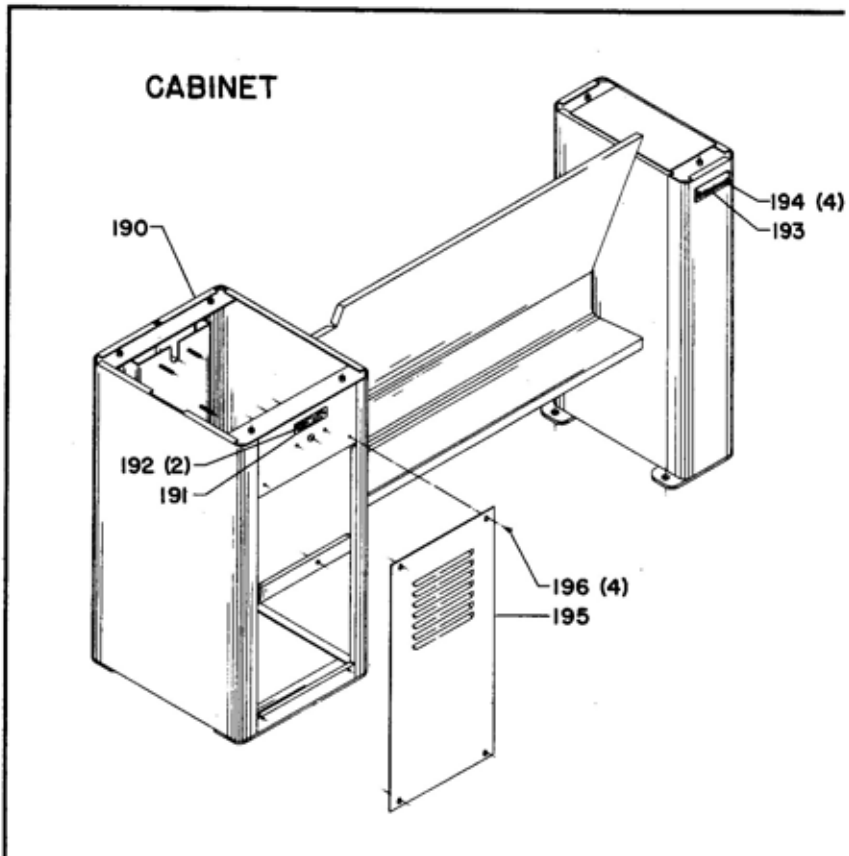
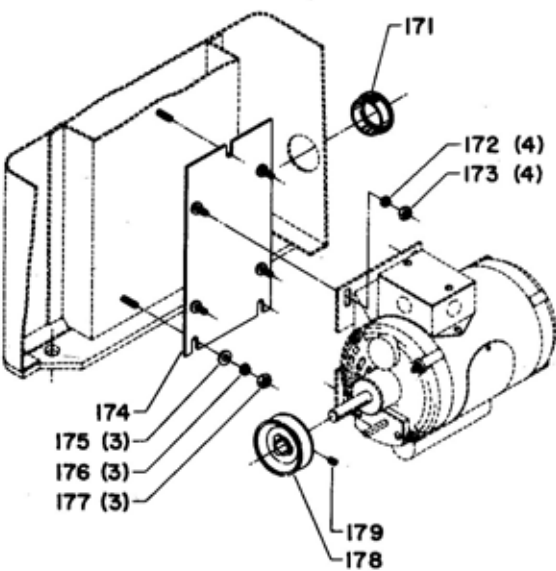
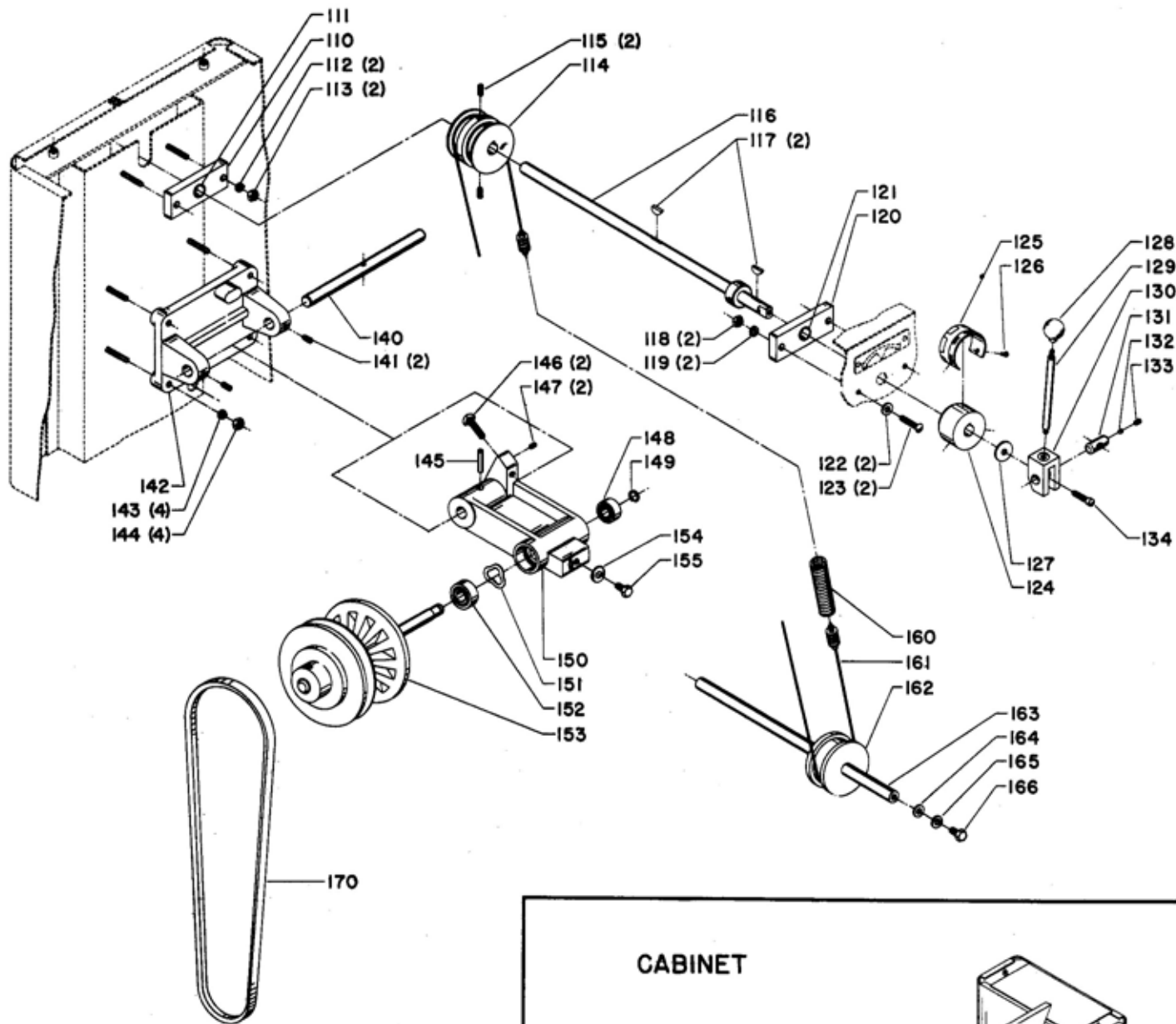


12" HEAVY DUTY VARIABLE SPEED WOOD LATHE



Replacement Parts

Ref. No.	Part No.	Description	Ref. No.	Part No.	Description
1	SP-412	5/16-18 x 1 Oval Hd, Mach. Scr.	53	SP-7528	1/4-20 x 1/2 Truss Hd, Mach. Scr.
2	CWL-48	Headstock Cover	54	SR-217	Clamp Handle
3	SP-5075	1/4 x 3/4 Roll Pin	55	NCS-361	Serrated Nut
4	926-01-041-7434	Spindle Pulley	56	SP-288	7/16-14 x 2 Hex, Soc. Set Scr.
5	901-04-190-9415	1/4-20 x 1/4 Hex, Soc. Set Scr.	57	SP-2486	Oiler
6	CWL-53	Lever	58	SP-2729	3/16 x 1/2 Roll Pin
7	CWL-55	3/16 x 15/16 x 1/16 Spring Washer	59	SP-1266	1/2-13 Hex, Jam Nut
8	SP-642	3/8-16 x 1 Hex, Hd, Cap Scr.	60	930-01-991-9035	Handwheel
9	SP-1704	3/8 Lockwasher	61	CWL-63	Tailstock Body
10	CWL-47	Headstock	62	SP-1764	1/4 Int. Tooth Lockwasher
11	434-03-071-5002	Pin	63	DDL-154	Spec. Shoulder Screw
12	SP-208	1/4-20 x 1/4 Hex, Soc. Set Scr.	64	DDL-278	"U" Bolt
15	223-10-1	Guard	65	CWL-64	Clamp Plate
16	CWL-51	Retainer	66	SP-1212	5/16-24 Hex, Nut
17	CWL-52	Index Handwheel	70	SP-604	3/8-16 x 2 1/4 Hex, Hd, Cap Scr.
18	SP-5360	Ball Bearing	71	SP-1605	3/8 x 7/8 x 1/16 Washer
19	SP-7352	Wavy Spring Washer	72	CWL-21-S	Lathe Bed Assembly
20	252-41	1" x 1 1/4 x 3/16 Collar	73		Nameplate
21	CWL-68	Tape	74	SP-2250	#4 x 3/16 Drive Screw
22		Nameplate	75	Cat. #49-146	V-Belt (65 1/8" O. C.)
23	SP-2250	#4 x 3/16 Drive Screw	76	Cat. #194	5/32 Hex, Wrench
24	SP-28	1/4 Steel Ball	77	Cat. #1534	1/8 Hex, Wrench
25	SP-7362	Spring	78	CWL-71-S	Spanner Wrench
26	SP-125	5/16-18 x 3/4 Headless Set Scr.	79	Cat. #949	Wrench
27	SP-5435	5/16-18 Hex, Jam Nut	*	Cat. #1461	Tool Support Base, consisting of:
28	SP-1215	#6-32 Hex, Nut	85	CBL-435	3/4 x 1 1/16 x 7/8 Bushing
29	SP-588	#6-32 x 3/4 Rd, Hd, Mach. Scr.	86	CBL-438	Eccentric Shaft
30	DP-572	Switch Opening Cover	87	CBL-434	49/64 x 1 x 1/16 Steel Washer
31	SP-2655	3/16 x 3/16 x 7/8 Key	88	CBL-437	Coil Spring
32	SP-5334	Ball Bearing	89	SP-102	1/4-20 x 3/8 Headless Set Scr.
33	CBL-409	Bearing Retainer	90	CBL-425	Base
34	DDL-105	#10-32 x 7/16 Fil, Hd, Cap Scr.	91	CBL-439	5/8-18 x 1 1/2 Eye Bolt
35	DDL-120	Spindle Nut	92	CBL-436	Flange
36	Cat. #936	3" Face Plate	93	SBS-19	5/8-18 Hex, Nut
37	Cat. #937	6" Face Plate	94	CBL-440-S	Clamp Assembly
38	Cat. #933	Drive Center, Including:	95	CBL-433	Lever
39	DDL-206	Center	96	SP-2708	3/16 x 1 1/4 Roll Pin
40	SP-253	1/4-28 x 1/4 Hex, Soc. Set Scr.	97	Cat. #46-430	Tool Support, Including:
45	Cat. #934	Cup Center, Including:	98	CBL-440-S	Clamp Assembly
46	DDL-206	Center	100	Cat. #46-431	12" Calibrated Tool Support, Including:
47	DDL-253	1/4-28 x 3/8 Spec. Screw			Scale
48	CBL-416	Ram	101	CWL-69	Scale
49	434-04-112-5001	Adjusting Screw	102	SP-457	#6-32 x 1/2 Flat Hd, Mach. Scr.
50	SP-2704	1/8 x 3/4 Roll Pin	103	434-03-085-5002	Spindle
51	CBL-434	49/64 x 1 x 1/16 Steel Washer	*		Not Shown Assembled
52	CWL-65-S	Eccentric Shaft Assembly			



Replacement Parts

Ref. No.	Part No.	Description	Ref. No.	Part No.	Description
110	414-02-304-5001	Bearing Block, Including:	154	426-05-027-5001	Clamp
111	MH-3023	3/4 x 7/8 x 1/2 Sleeve Bearing	155	SP-3104	3/8-16 x 1/2 Hex, Hd, Cap Scr.
112	SP-1703	5/16 Lockwasher	160	928-02-081-8876	Tension Spring
113	SP-1300	5/16-18 Hex, Nut	161	434-03-381-5001	Cable Assembly
114	414-02-100-5001	Speed Control Regulating Pulley	162	434-03-062-5001	Idler Pulley
115	SP-213	5/16-18 x 1/2 Hex, Soc, Set Scr.	163	434-03-106-5003	Idler Pulley Shaft
116	434-03-406-5003	Speed Control Shaft W/Collar	164	240-117	3/8 x 3/4 x 1/32 Washer
117	SP-2601	3/16 x 3/4 Woodruff Key	165	SP-1704	3/8 Lockwasher
118	SP-1300	5/16-18 Hex, Nut	166	SP-3104	3/8-16 x 1/2 Hex, Hd, Cap Scr.
119	SP-1703	5/16 Lockwasher	170	Cat. #49-195	Lower V-Belt (37 1/8" O. C.)
120	414-02-304-5001	Bearing Block, Including:	171	438-01-011-0020	Insulator
121	MH-3023	3/4 x 7/8 x 1/2 Sleeve Bearing	172	SP-2086	5/16 Lockwasher
122	240-117	3/8 x 3/4 x 1/32 Washer	173	SP-1300	5/16-18 Hex, Nut
123	SP-515	5/16-18 x 1 1/4 Rd, Hd, Mach. Scr.	174	434-03-372-5001	Motor Mounting Plate
124	434-03-407-5001	Speed Control Hub, Including:	175	240-117	3/8 x 3/4 x 1/32 Washer
125	960-03-012-0408	Speed Control Dial	176	SP-1703	5/16 Lockwasher
126	SP-2849	#6 x 1/4 Drive Screw	177	SP-1300	5/16-18 Hex, Nut
127	DP-736	25/32 x 1 1/4 x 3/32 Washer	178	Cat. #41-042	3"Dia, Motor Pulley (1/2" Bore,) Including:
128	MCL-222	Handle Ball	179	SP-206	5/16-18 x 5/16 Hex, Soc, Set Scr.
129	414-02-111-5009	Stud for Cam Lever (Threaded both ends)	178	Cat. #41-043	3"Dia, Motor Pulley (5/8" Bore), Including:
130	434-04-019-5001	Cam Block	179	SP-206	5/16-18 x 5/16 Hex, Soc, Set Scr.
131	414-02-071-5018	Swivel Pin for Cam Block	178	Cat. #41-044	3"Dia, Motor Pulley (3/4" Bore), Including:
132	MCL-161	3/16 x 1/8 Brass Plug	179	SP-206	5/16-18 x 5/16 Hex, Soc, Set Scr.
133	SP-208	1/4-20 x 1/4 Hex, Soc, Set Scr.	190	434-03-318-5002	Cabinet Assembly
134	901-01-020-3803	5/16-18 x 1 Fil, Hd, Cap Screw	191	960-04-012-1406	Instruction Plate
140	414-02-106-5025	3/4"Dia, x 8" Long Pivot Shaft	192	SP-2250	#4 x 3/16 Drive Screw
141	SP-217	5/16-18 x 1/2 Hex, Soc, Set Scr.	193	960-02-012-1419	Nameplate
142	434-03-014-5005	Mounting Bracket	194	SP-2250	#4 x 3/16 Drive Screw
143	SP-1703	5/16 Lockwasher	195	434-03-031-5004	Cover
144	SP-1300	5/16-18 Hex, Nut	196	901-05-131-7351	#12 x 1/2 Rd, Hd, Self-Tapping Scr.
145	SP-5077	5/16 x 1 1/4 Roll Pin			
*	434-03-314-5006	Variable Speed Pulley Bracket Assembly, consisting of:			
146	SP-2379	3/8-16 x 1 1/4 Sq. Hd, Scr.			
147	901-04-190-9415	1/4-20 x 1/4 Hex, Soc, Set Scr.			
148	920-04-021-6618	Ball Bearing			
149	SP-7412	Retaining Ring-External			
150	414-02-014-5016	Variable Speed Pulley Bracket			
151	NL-306	Spring Washer			
152	SP-5384	Ball Bearing			
153	434-03-406-5004	Variable Speed Pulley Assembly			

* Not Shown Assembled