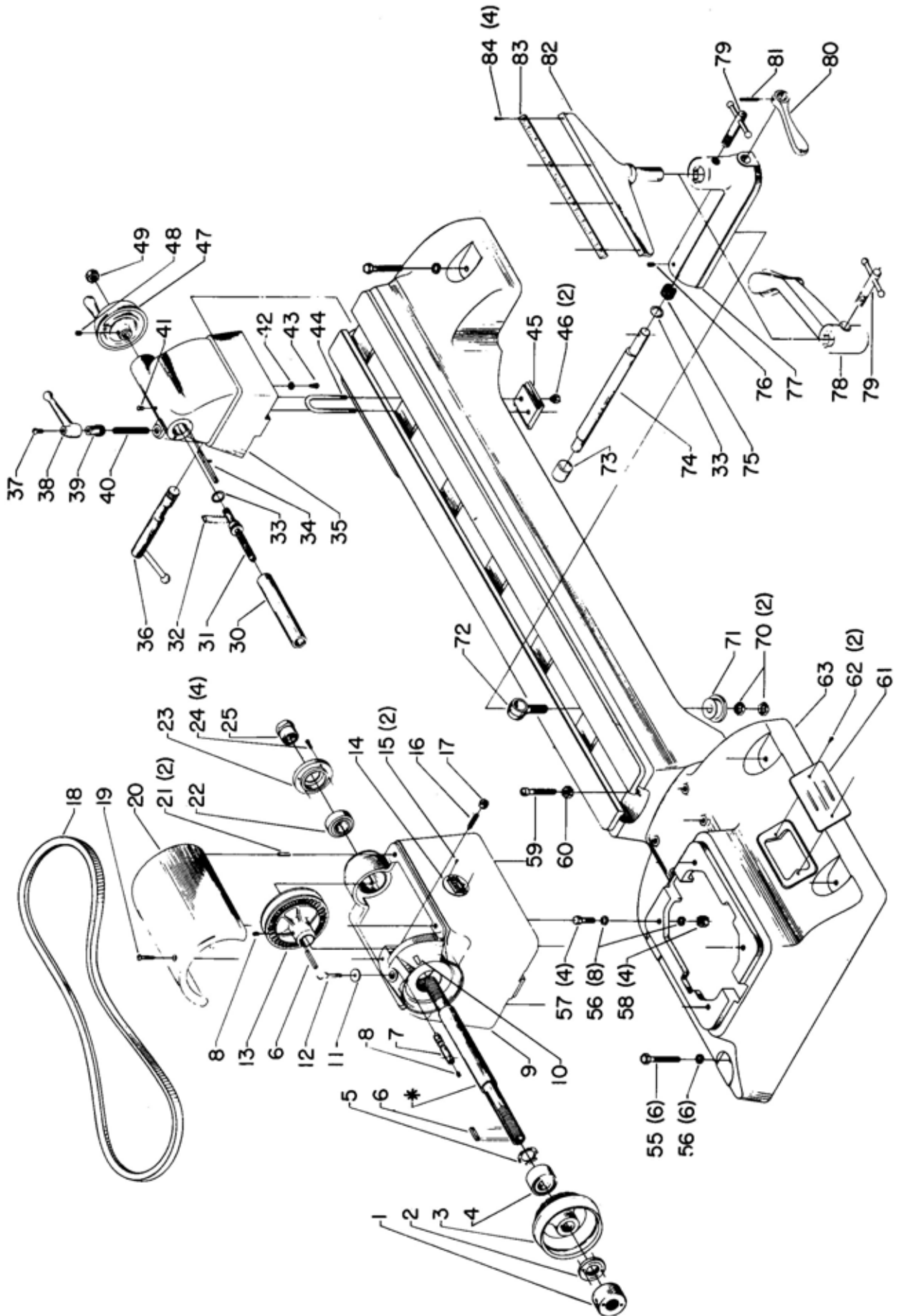




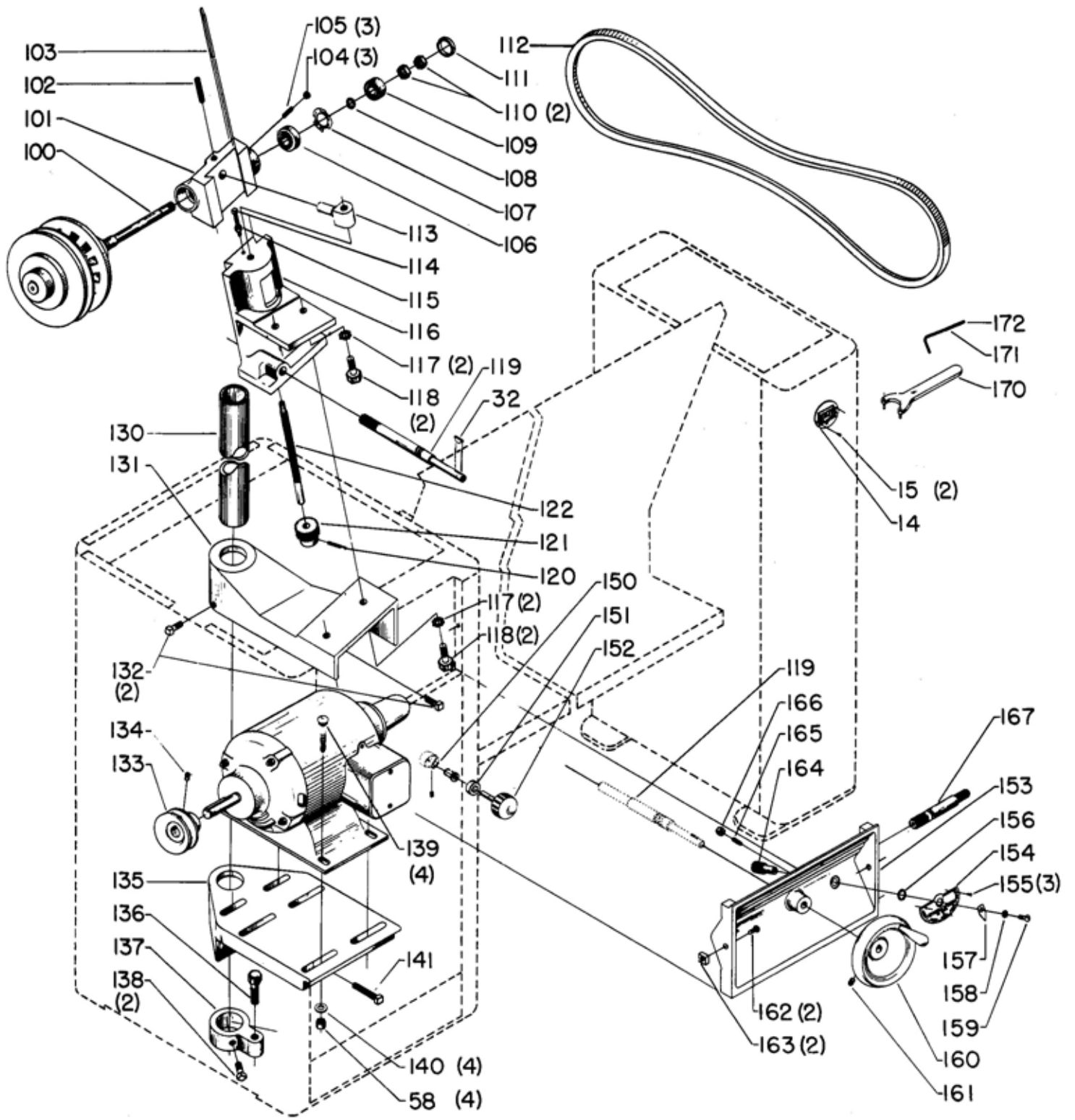
# 46-500 12" VARIABLE SPEED WOOD LATHE (OLD STYLE)



# Replacement Parts

| Ref. No. | Part No.     | Description                        | Ref. No. | Part No.     | Description                          |
|----------|--------------|------------------------------------|----------|--------------|--------------------------------------|
| 1        | CWL-16       | Guard                              | 39       | NCS-361      | Serrated Nut                         |
| 2        | CWL-51       | Retainer                           | 40       | SP-6217      | 7/16-14 x 2 3/8" Soc. Hd. Set Scr.   |
| 3        | CWL-52       | Index                              | 41       | SP-2486      | Oiler - Gits #521                    |
| 4        | SP-5368      | Bearing-N.D. #88505X1C             | 42       | SP-1764      | 1/4" Int. Tooth Lockwasher           |
| 5        | SP-7356      | Load Spring Washer                 | 43       | DDL-154      | Shoulder Scr.                        |
| 6        | SP-2655      | 3/16 Sq. x 7/8" Straight Key       | 44       | DDL-278      | U-Bolt                               |
| * *      |              | Spindle                            | 45       | CWL-64       | Clamp Plate                          |
| 7        | CWL-54-S     | Pin Assy., Incl;                   | 46       | SP-1212      | 5/16"-24 Hex. Nut                    |
| 8        | SP-208       | 1/4-20 x 1/4" Hex. Soc. Set Scr.   | 47       | CWL-67-S     | Handwheel Assy., Incl;               |
| 9        | CWL-47       | Headstock                          | 48       | SP-205       | 5/16-18 x 1/4" Hex. Soc. Set Scr.    |
| 10       | CWL-68       | Tape                               | 49       | SP-1227      | 1/2"-20 Hex. Jam Nut                 |
| 11       | CWL-55       | 3/16 x 15/16 x 1/16" Spring Washer | 55       | SP-804       | 3/8-16 x 2 1/4" Hex. Hd. Cap Scr.    |
| 12       | CWL-53       | Lever                              | 56       | SP-1704      | 3/8" Split Lockwasher                |
| 13       | CWL-50-S     | Pulley Assy., Incl;                | 57       | SP-642       | 3/8-16 x 1" Hex. Hd. Cap Scr.        |
| 8        | SP-208       | 1/4-20 x 1/4" Hex. Soc. Set Scr.   | 58       | SP-1026      | 3/8"-16" Hex. Jam Nut                |
| 14       | CBL-486      | Nameplate                          | 59       | SP-705       | 3/8-16 x 1" Fil. Hd. Cap Scr.        |
| 15       | SP-2252      | #2 x 3/16" Drive Scr.              | 60       | SP-1005      | 3/8"-16 Hex. Jam Nut                 |
| 16       | CWL-45       | Pin Assy.                          | 61       | DP-572       | Cover                                |
| 17       | SP-5435      | 5/16"-18 Hex. Jam Nut              | 62       | SP-3015      | #6 x 1/4" Rd. Hd. Self-Tapping Scr.  |
| 18       | Cat. #49-196 | V-Belt - 41 1/2 O. C.              | 63       | CWL-21-S     | Bed Assy.                            |
| 19       | SP-412       | 5/16-18 x 1" Oval Hd. Scr.         | 70       | SBS-19       | 5/8"-18 Hex. Nut                     |
| 20       | CWL-48       | Headstock Cover                    | 71       | CBL-436      | Flange                               |
| 21       | SP-5075      | 1/4 x 3/4" Roll Pin                | 72       | CBL-439      | 5/8-18 x 1 1/2" Eye Bolt             |
| 22       | SP-5334      | Bearing N.D. #55505X1C             | 73       | CBL-435      | 3/4 x 1 1/16 x 7/8" Lg. Stl. Bushing |
| 23       | CBL-409      | Bearing Retainer                   | 74       | CBL-438      | Eccentric Shaft                      |
| 24       | DDL-105      | #10-32 x 7/16" Fil. Hd. Cap Scr.   | 75       | CBL-437      | Coil Spring                          |
| 25       | DDL-120      | Spindle Nut                        | 76       | SP-102       | 1/4-20 x 3/8" Headless Set Scr.      |
| 30       | CBL-416      | Quill                              | 77       | CBL-425      | Base                                 |
| 31       | CWL-66       | Quill Adjustment Scr.              | 78       | Cat. #46-430 | Tool Support, Incl;                  |
| 32       | SP-2617      | Key-Hi-Pro #HP-403                 | 79       | CBL-440-S    | Clamp Assy.                          |
| 33       | CBL-434      | 49/64 x 1 x 1/16" Stl. Washer      | 80       | CBL-433      | Lever                                |
| 34       | MCL-472-S    | 3/16 Sq. x 2 5/8" Key w/Pin        | 81       | SP-2708      | 3/16 x 1 1/4" Roll Pin               |
| 35       | CWL-63       | Tailstock Body                     | 82       | Cat. #46-431 | 12" Tool Support Assy., Incl;        |
| 36       | CWL-65-S     | Eccentric Assy.                    | 83       | CWL-69       | Hardened Scale                       |
| 37       | SP-7528      | 1/4-20 x 1/2" Truss Hd. Scr.       | 84       | SP-457       | #6-32 x 1/2" Fil. Hd. Scr.           |
| 38       | SR-217       | Clamp Handle                       |          |              |                                      |

\* \* NOTE: The final machining of the No. 2 Morse Taper Hole in the spindle of the headstock of this lathe is done after installation of the spindle. This is the only method of assuring perfect alignment. If replacement of the spindle of your lathe should ever be necessary, send the entire headstock to us prepaid and insured.



# Replacement Parts

| Ref. No. | Part No.     | Description                       | Ref. No. | Part No.   | Description                        |
|----------|--------------|-----------------------------------|----------|------------|------------------------------------|
| 100      | CWL-29-R     | Variable Speed Pulley Assy.       | 136      | SP-616     | 1/2-13 x 1 1/2" Hex. Hd. Cap Scr.  |
| 101      | CWL-24       | Bracket                           | 137      | CWL-37     | Adjusting Retainer                 |
| 102      | SP-217       | 5/16-18 x 1/2" Hex. Soc. Set Scr. | 138      | SP-310     | 3/8-16 x 5/8" Sq. Hd. Set Scr.     |
| 103      | CWL-40       | Saddle                            | 139      | SP-816     | 3/8 x 2" Carriage Bolt             |
| 104      | SP-169       | #10-32 x 1" Headless Set Scr.     | 140      | SP-1606    | 7/16 x 1 x 5/64" Stl. Washer       |
| 105      | SP-1203      | #10-32 Hex. Nut                   | 58       | SP-1028    | 3/8"-16 Hex. Nut                   |
| 106      | SP-5344      | Bearing N.D. #88503               | 141      | SP-339     | 3/8-16 x 1 3/4" Sq. Hd. Set Scr.   |
| 107      | SP-7355      | Bearing Load Spring - W. B. #6017 | 150      | CBS-80-S   | Lock Cam w/ Scr.                   |
| 108      | SP-7412      | Snap Ring                         | 151      | DP-323     | Spacer                             |
| 109      | SP-5354      | Bearing N.D. #88502               | 152      | MCL-540-S  | Shaft Assy.                        |
| 110      | BS-261       | Special Hex. Jam Nut              | 153      | CWL-33-R   | Indicator Panel Assy., Incl;       |
| 111      | CWL-41       | Bearing Closure Nut               | 154      | CWL-36     | Indicator Dial                     |
| 112      | Cat. #49-195 | V-Belt-37 O.C.                    | 155      | SP-2250    | #4 x 3/16 Drive Scr.               |
| 113      | CWL-30       | Elevating Nut                     | 156      | SP-7406    | Ring - Truarc #5105-50             |
| 114      | SP-311       | 1/4-20 x 1 1/2" Sq. Hd. Set Scr.  | 157      | TCS-225    | Pointer                            |
| 115      | SP-1034      | 1/4"-20 Hex. Nut                  | 158      | SP-1757    | 1/4" Ext. Tooth Lockwasher         |
| 116      | CWL-23       | Saddle                            | 159      | SP-509     | 1/4-20 x 1/2" Rd. Hd. Scr.         |
| 117      | SP-1755      | 1/4" Ext. Tooth Lockwasher        | 160      | CWL-17-S   | Handwheel Assy., Incl;             |
| 118      | SP-628       | 1/2-13 x 1" Hex. Hd. Cap Scr.     | 161      | SP-206     | 5/16-18 x 5/16" Hex. Soc. Set Scr. |
| 119      | CWL-32       | Pinion Shaft                      | 162      | SP-908     | 5/16 x 1" Rd. Hd. Stove Bolt       |
| 32       | SP-2617      | Key-Hi-Pro #HP-403                | 163      | SP-1303    | 5/16"-18 Sq. Nut                   |
| 120      | SP-2708      | 3/16 x 1 1/4" Roll Pin            | 164      | CWL-35     | Speed Indicator Gear               |
| 121      | CWL-31-R     | Elevating Scr. Gear               | 165      | SP-293     | 1/4-20 x 5/8" Hex. Soc. Set Scr.   |
| 122      | CWL-25-R     | Elevating Scr.                    | 166      | SP-1029    | 1/4"-20 Hex. Nut                   |
| 130      | CWL-38       | Column                            | 167      | CWL-34     | Gear                               |
| 131      | CWL-39       | Motor Plate Bracket               | 14       | CBL-486    | Nameplate                          |
| 132      | SP-314       | 3/8-16 x 3/4" Sq. Hd. Set Scr.    | 15       | SP-2252    | #2 x 3/16" Drive Scr.              |
| 133      | Cat. #5300   | Pulley Assy, Inc;                 | 170      | CWL-71-S   | Spanner Wrench                     |
| 134      | SP-201       | 5/16-18 x 5/16" Hex. Nut          | 171      | Cat. #1534 | 1/8" Hex. Wrench                   |
| 135      | CWL-26       | Motor Mounting Bracket            | 172      | Cat. #194  | 5/32" Hex. Wrench                  |