

Check these
Typical Projects
Made with the

DELTA Moulding Cutter Set

- ✓ Building trim
- ✓ Picture frames
- ✓ Panel frames
- ✓ Case work
- ✓ Groove joints
- ✓ Drawers
- ✓ Glue joints
- ✓ Boxes
- ✓ Corner joints
- ✓ Moulded corner joints
- ✓ Lock corner joints
- ✓ Reeding and Fluting on flat work
- ✓ Table top edges

Get More Production...



use your
circular saw
moulding knives on
your shaper ...

You can get double production out of your two machines by simply interchanging the moulding knife blades from your circular saw to your shaper. These knives come in sets of three and are made of special alloy steel, hardened in oil so they will remain sharp and accurate. The 1343 — 3 knife shaper cutterhead, shown above, will take any of Delta's 27 sets of moulding cutter knives.



DELTA POWER TOOL DIVISION

Rockwell Manufacturing Company MILWAUKEE 1, WISCONSIN

These Moulding Cutterheads and Knives
are sold at your nearest Delta Dealer.
See him for complete information.

Litho in U.S.A.

AD 690



IF IT'S A
**Moulding
or
Shaped
Edge**
YOU CAN
MAKE IT!

DELTA
MILWAUKEE

for Any Shape

Make thousands of mouldings of your own design, easily and quickly with this Delta Circular Saw Attachment...

Buy Moulding Cutter Set Now — Additional Knives Later

No. 34-813 Moulding Cutter Set consists of a sturdy, well-designed steel head . . . plus 4 sets of 3 interchangeable knives and a wrench. This set can be used on either the Delta No. 34-160 (8" Tilting Table), No. 34-500 (8" Tilting Arbor), No. 34-110 (8" Tilting Table) Circular Saw — or on most other saws with a double face fence.



No. 34-813 — Moulding Cutter Set with heavy-duty steel head, 4 sets of 3 knives each, Nos. 34-103, 35-221, 35-222, 35-102 and special wrench. (Note: Table Insert must be ordered separately). 5 lbs.

No. 35-872 — Moulding cutter table insert for No. 34-160 saw

No. 34-962 — Moulding cutter table insert for No. 34-500 saw

No. 265 — Heavy Duty Steel Cutterhead only, to fit 5/8" arbor. 3 lbs.

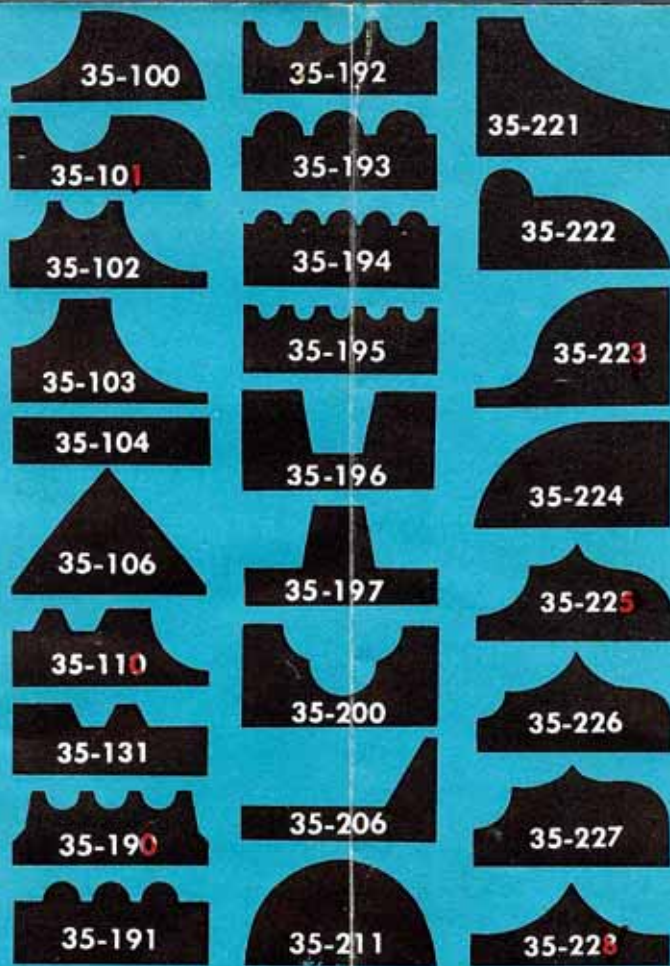
No. 1521 — Wrench

27 Sets of Knives

No moulding, no matter how intricate, can stop you if you have a complete set of knives as shown at the right. Countless shapes can be developed by combining cuts with different blade sets and by raising or lowering the saw table. Each set listed below contains three identical high speed steel knives.

DESCRIPTION

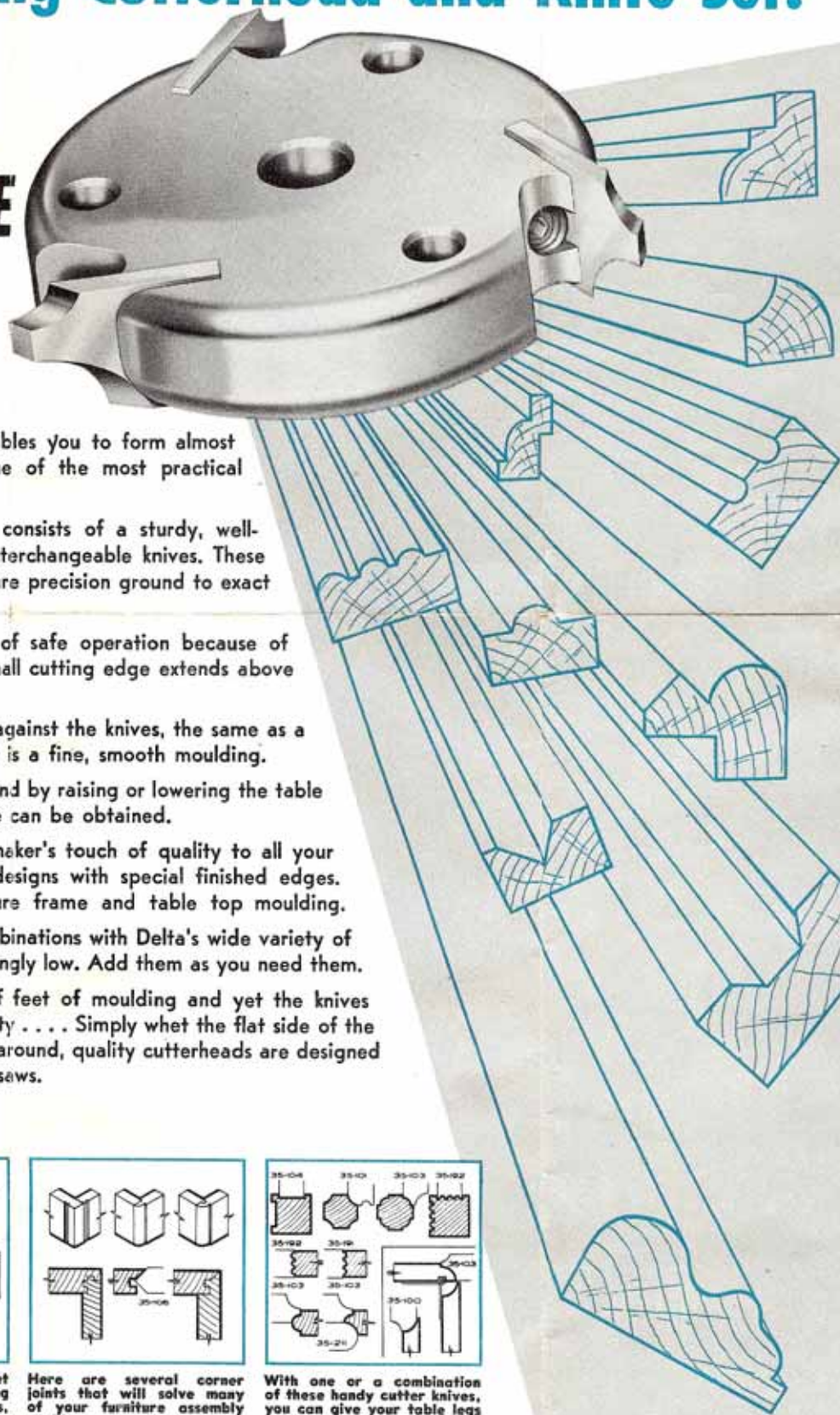
35-100	1/2" Cove, 3/8" Quarter Round
35-101	3/8" Cove, 3/8" Bead
35-102	1/2" and 3/8" Quarter Round and 1/4" Bead
35-103	1/4" and 1/2" Quarter Round
35-104	Straight
35-106	90° Flute
35-110	Drawer Joint
35-131	Glue Joint
35-190	3 Bead (3/8" Bead)
35-191	3 Flute (3/8" Flute)
35-192	3 Bead (1/4" Bead)
35-193	3 Flute (1/4" Flute)
35-194	5 Flute (1/4" Flute)
35-195	5 Bead (1/4" Bead)
35-196	Wedge Tongue
35-197	Wedge Groove
35-200	Clover Lead Screen Moulding (9/32" r 9/16")
35-206	Ogee R. H.
35-211	1" Flute
35-221	Thumb Moulding
35-222	1/2" Cove and 1/4" Flute
35-223	Ogee
35-224	5/8" Cove
35-225	Flute Bead, Quarter Round and Ogee Comb.
35-226	Flute Bead, Quarter Round and Ogee Comb.
35-227	Flute Bead, Quarter Round and Ogee Comb.
35-228	Flute Bead



A Complete Line of Cutters for Any Moulding!

Increase the flexibility of your Circular Saw with the Delta Moulding Cutterhead and Knife Set!

MAKE IT A MULTI-PURPOSE TOOL!



This precision Delta Moulding Cutter Set enables you to form almost any contour quickly and accurately. It is one of the most practical accessories you can add to your workshop.

The No. 34-813 Delta Moulding Cutter set consists of a sturdy, well-designed steel head . . . plus 4 sets of 3 interchangeable knives. These knives cut smoothly and rapidly because they are precision ground to exact dimensions from high alloy steel.

The Delta Moulding Cutterhead assures you of safe operation because of the "locked in knife" safety feature. Only a small cutting edge extends above the table.

As the cutterhead is revolved the work is fed against the knives, the same as a board is fed against the saw blade. The result is a fine, smooth moulding.

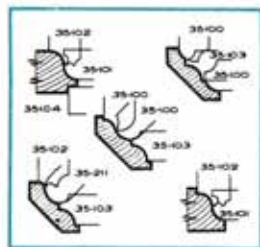
By replacing the three knives with another set and by raising or lowering the table or moving the fence, almost any desired shape can be obtained.

Now you can add that professional cabinet maker's touch of quality to all your work. Beautify your furniture and workshop designs with special finished edges. See how easy and simple it is to cut picture frame and table top moulding.

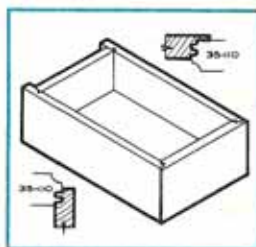
Yes, you can make thousands of moulding combinations with Delta's wide variety of cutter knives . . . Yet the cost per set is amazingly low. Add them as you need them.

The keen, long-lasting edges cut thousands of feet of moulding and yet the knives can be honed without losing their cutting quality . . . Simply whet the flat side of the knife until the cutting edge is restored. The all around, quality cutterheads are designed to fit any Delta Circular Saw and most other saws.

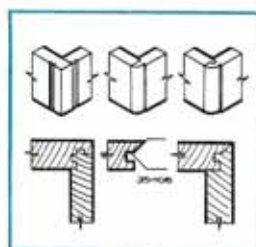
It's a MUST for a complete workshop.



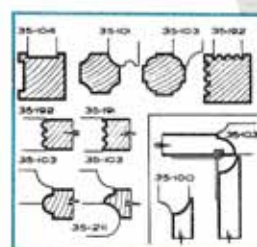
With these simple cuts you can build your own picture frames in any style or size that you choose.



The Moulding Cutterhead set can be used in constructing drawers for china cabinets, kitchen cupboards, and other furniture.



Here are several corner joints that will solve many of your furniture assembly problems.



With one or a combination of these handy cutter knives, you can give your table legs and edges that professional finished look.

A Complete Line of Cutters for Any Moulding!