



HEMOCRAFT® SERVICE MANUAL

For Delta Homecraft Power Tool Dealers



DISTRIBUTED BY:



This book has been published for Dealer convenience. It is not intended for consumer use. Extra copies may be obtained by application to the supplier whose name appears on the front cover. We ask, however, that such requests be kept to the minimum as the supply is limited.

1. Index, page 3.
2. Prices subject to change without notice.
3. To avoid error use both part number and description.
4. For motor parts give complete name plate data and description of part.
5. Prices shown are for replacements only and cannot be used to compute deductions or allowances on returns.
6. See drawings in front of book to identify parts.
7. Separate parts orders from general merchandise. Parts are identified by an alphabetical prefix.
8. Do not advise customers to order direct from factory.
9. This publication cancels all previous quotations.



INDEX

| | Page Nos. |
|---|-----------|
| Delta Service Policy | 4 |
| Motor Service Policy | 5 |
| Motor Service Stations: | |
| Doerr Electric Corporation | 6- 7 |
| Marathon Electric Corporation | 8-11 |
| A. O. Smith Corporation | 12-16 |
| Westinghouse Electric Corporation | 17 |
| Parts Distributors. | 80 |

PARTS PRICE LIST

| PREFIX | PAGE | PREFIX | PAGE | PREFIX | PAGE | PREFIX | PAGE | PREFIX | PAGE |
|--------|------|--------|------|--------|------|--------|------|--------|------|
| BRGS. | 51 | DC | 55 | HOS | 60 | NCS | 64 | SF | 71 |
| BG | 51 | DDL | 55 | HSS | 60 | NJ | 65 | SG | 71 |
| BM | 51 | DP | 56 | J | 60 | NL | 66 | SP | 71 |
| BS | 51 | DS | 58 | JA | 61 | NSS | 66 | SR | 75 |
| BW | 52 | DSS | 58 | L | 61 | PF | 67 | T | 76 |
| C | 52 | FJ | 58 | LBS | 61 | PLR | 67 | TAB | 76 |
| CBL | 52 | FS | 59 | LCS | 62 | S | 68 | TAM | 76 |
| CBS | 53 | H | 59 | LSR | 62 | 7" MTL | | TAS | 77 |
| CG | 53 | HBS | 59 | LTA | 63 | SHAPER | 68 | TBS | 77 |
| COS | 54 | HCS | 59 | M | 63 | SBG | 69 | TCS | 77 |
| CP | 54 | HDS | 59 | MC | 64 | SBS | 69 | VSL | 78 |
| CS | 54 | HDP | 59 | MG | 79 | SCG | 70 | WL | 78 |
| D | 54 | HJ | 60 | MS | 64 | SD | 71 | | |
| DAG | 55 | HL | 60 | NC | 64 | SDP | 71 | | |

PARTS DRAWINGS:

| | Page Nos. |
|--|-------------|
| Band Saw, #28-110. | 20 |
| Circular Saws: | |
| #34-110 8" Tilting Table Saw | 22 |
| #34-160 8" Tilting Table Saw | 28 |
| #34-500 8" Tilting Arbor Saw | 23-27 incl. |
| #864 Miter Gage | 29 |
| #865 Clamp Attachment | 29 |
| #871 Hold Down Attachment | 30 |
| #1172 Tenoning Jig | 29 |
| Delta Shop | 21 |
| Disk Sander #31-200 | 21 |
| Drill Press #11-120, and Accessories. | 18 |
| Flexible Shafts #49-544 to #49-547. | 44 |
| Grinders #23-603 and #23-625 | 19 |
| Jointers #37-290 and #37-110. | 31 & 32 |
| Lamp Attachment, #882. | 44 |
| Lathes #46-110 and #46-230 | 36 & 37 |
| Lathe Accessories: | |
| Compound Slide Rests #46-961 and #46-965 | 40 & 41 |
| Sanding Table #46-948 | 42 |
| Steady Rest #46-827. | 39 |
| Radial Arm Saw, #20-A. | 45-50 incl. |
| Scroll Saw #40-110 | 33 |
| Shaper #43-110 | 34 |

THE DELTA SERVICE POLICY

PRODUCT GUARANTEE: All material manufactured or furnished by the Delta Power Tool Division is guaranteed for a period of one year against any true manufacturing defect whether in workmanship or material. Any unsatisfactory material (except motors) should be reported to the Jobber, Parts Distributor, or Delta District Warehouse from whom the item was ordered. You will receive shipping instructions for returning the unsatisfactory item, and if a defect is found after it is inspected, it will be repaired or replaced as most practical. Return no merchandise without written authorization. Motors should be sent Prepaid to the nearest service station (see Motor Service Policy). Our guarantee does not apply on any material that has been altered or changed by outside mechanics.

SHORTAGES: Any items short in shipment should be reported to the Jobber, Parts Distributor, or Delta District Warehouse from whom the material was ordered. Your report should include the packing and inspection slip from the carton, complete machine identification and description of material short.

CREDITS: If you have any items that need to be returned for credit, these items should be discussed with your supplier or his salesman. He will either arrange to transfer the material to another dealer or instruct you where to write for shipping instructions. Merchandise returned because of factory error, defective, shipped against cancellation, etc. to receive full credit. This material must be accompanied by evidence of error supported by order number, etc. In the event that the material was shipped in good faith and without error, we do not feel obligated to accept its return without a service charge to defray the added cost of handling, inspection, repacking, restocking, etc.

REPAIRS: On any items (except motors) which you would like to have repaired, send a letter to your supplier (Jobber, Parts Distributor or Warehouse) giving complete information on the item to be repaired and the work you would like to have done. He will give you shipping instructions. Charges for repair work will be based on current parts prices plus our regular labor rates net.

PARTS: All items which are listed and priced in our parts price list are considered repair parts. These repair parts can readily be identified because all parts numbers are preceeded by prefix letters. (Examples: SP-201, NCS-32, DSS-326-R). Any parts which are shown in the drawings but are not listed in the parts price list are either accessory items, obsolete, not available, or incorporated in assemblies. All listed parts are available from our authorized Parts Distributors' stock.

ORDERS: Repair parts are not sold direct from our factory but are available from our Authorized Parts Distributors. Your orders for repair parts should be sent either to your Jobber or to any of the Authorized Parts Distributors listed on the back cover. Parts orders are not acknowledged as shipment is normally made before the acknowledgment could be received by the dealer. If you wish to protect your identity with your customer, the Parts Distributor will use your labels on any orders you ask them to drop ship to your customers. In these cases, be sure to enclose your labels, addressed to your customer, along with your order to the distributor.

PRICES: The parts prices in this manual do not exceed those determined under the applicable OPS regulation. However, they are subject to change without notice. These prices are the consumer selling prices and are subject to your discount. Credit on returned merchandise will be based on original invoice date value or an adjustment thereof.

MISCELLANEOUS:

1. It is our usual policy to refer all consumer orders to our dealers and dealer orders to parts distributors. However, there are cases where we find it advisable to deal directly with the consumer, and we reserve the right to do so.
2. Any questions or requests for deviations from the above policies should be addressed to the Service Manager, Delta Manufacturing Division, Rockwell Manufacturing Company, Bellefontaine, Ohio.

MOTOR SERVICE

The Delta Power Tool Division is not the basic manufacturer of Electric motors. Our motors are furnished to our specifications by several large well known, motor manufacturers. Our service policy and procedures, therefore, must coincide with theirs.

For your information, the motors we supply are manufactured by:

Doerr Electric Corporation - Cedarburg, Wisconsin (Formerly Electro Machines Inc.)
Marathon Electric Mfg. Company - Wausau, Wisconsin
A. O. Smith Corporation - Tipp City, Ohio
Westinghouse Electric Corporation - Lima, Ohio

All motors bear the name of the manufacturer. They should be sent to the proper service station, All unmarked motors are out of guarantee.

Motors are guaranteed to us by the manufacturer for a period of one year, against any true manufacturing defect whether in workmanship or material. This guarantee is passed on to the user. The motor manufacturer will absorb transportation charges of motors failing within the warrantee period if sent to the closest, proper, and authorized service station and by the most economical method. We or they reserve the right to impose handling and/or transportation charges for excessive costs caused by misdirection or improper selection of transportation facilities. The manufacturer reserves the right to repair or replace motors, under their warrantee, as most prudent, economical and practical.

To assist in servicing motors we have worked with the separate manufacturers in an effort to establish well located and efficient service stations. These are listed in the next few pages. We shall continue to work in an effort to establish more for your convenience. A correct list will be furnished you from time to time.

Any exception, discrepancies, or contention to the fore-going policies or procedures should be taken up with the Service Manager, Delta Power Tool Division, Bellefontaine, Ohio, who will act as referee and will instigate investigations or adjustment by the Manufacturer if necessary. The Delta Power Tool Division will not be responsible for any costs caused by exceptions to these policies and procedures unless specifically and individually authorized by them.



DELTA POWER TOOL DIVISION

Rockwell MANUFACTURING COMPANY

BELLEFONTAINE, OHIO

DOERR ELECTRIC CORPORATION
CEDARBURG, WISCONSIN

AUTHORIZED ELECTRIC MOTOR SERVICE STATIONS

ALABAMA BIRMINGHAM - Electric Motor Service, Inc. 606 S. 32nd Street,

ARIZONA PHOENIX - Daley Electric Co., 962 E. Van Buren Street.

CALIFORNIA LOS ANGELES - Electric Motor Repair Co., 1326 S. Olive Street
OAKLAND - The Electric Motor & Machine Works, 217 Broadway.
SAN FRANCISCO - City Electric Co., 84 Shotwell Street

COLORADO DENVER - Weaver Electric Company, 1721 Larimer St.

CONNECTICUT NEW HAVEN - The G. E. Wheeler Co., 453 Chapel St.

FLORIDA JACKSONVILLE 6 - Florida Electric Motor Works, Inc., 1004 E. 8th St.
MIAMI - Peninsular Armature Works, 151 N. W. 24th St.
ORLANDO - Orlando Armature Works, Inc., 611-617 W. Central Ave.
ST. PETERSBURG - Die Polder Electrical Eng'g. Co., 247-249 7th Ave. S.

GEORGIA ATLANTA - Ace Electric Co., 333 Edgewood Ave., S. E.

ILLINOIS CHICAGO - Sievert Electric Co., 1347-51 Bauwans St.
FREEPORT - Mr. Alfred Koym, 417 S. Locust Ave.

INDIANA ELKART - Thorton Electric, Inc., 104 S. Main Street
EVANSVILLE - Superior Electric & Dist'g. Co., Inc. 2325 W. Maryland St.
FORT WAYNE - Wayne Electric Co., 213-15 W. Brackenridge St.
HUNTINGTON - Christman Motor Repair, 1544 N. Jefferson St.
INDIANAPOLIS - Frakes Electric Co., 430 E. New York St.
RICHMOND - Richmond Electric Motor Service, Inc., 10 Liberty Ave.
SOUTH BEND - Koontz-Wagner Electric Co., Inc. 516 N. Michigan St.

IOWA BURLINGTON - Bartel's Electric Motors, 901 S. Main St.
DAVENPORT - Industrial Engineering Equipment Co., 122-124 E. 4th St.
DES MOINES - Iowa Electric Motor Service, 721-25 Tuttle St.
SIOUX CITY - Paul Electric Co., 115-117 4th St.

KANSAS WICHITA - The Southwestern Electrical Co., 123 N. Market St.

KENTUCKY LOUISVILLE - Krauth-Campbell Electric Co., Inc. 785 S. Shelby St.

LOUISIANA NEW ORLEANS - New Orleans Armature Works, 2311 Tchoupitoulas St.
SHREVEPORT - Shreveport Armature & Electric Works, Inc. 800 Spring St.

MARYLAND BALTIMORE - Lange Electric Co., 202-208 W. Chase Street

MASSACHUSETTS BOSTON - Electric Equipment Co., 137 Pearl St.

MICHIGAN DETROIT - Henry F. Hurley Electrical Co., 944 W. Warren Ave.
GRAND RAPIDS - Kirkhof Electric Co., 101 Sheldon Ave., S. E.
MARQUETTE - Industrial Engineering & Sales, 148 Spring St.
SAGINAW - Henry Electric Co., 1716 S. Jefferson Ave.

MINNESOTA MINNEAPOLIS - Boustead Elec. & Mfg. Co., 109 & 111 Washington Ave. N.
ROCHESTER - Tom's Electric Co., N. Broadway at 10th St.

MISSOURI KANSAS CITY - Kornfeld-Thorp Electric Co., 2700 McGee Trafficway
ST. LOUIS - The Heil Electric Co., 1932 Gravois Ave.

MONTANA BILLINGS - Lockrem Electric Co., 1710 1st Ave., N:

NEBRASKA OMAHA - Omaha Electric Works, 1214 Harney St.

NEW YORK ALBANY - Casey's Electrical Repair Shop, 39 Hamilton St.
BROOKLYN - The L. & P. Electric Co., Inc., 684 Bedford Ave.
BUFFALO - Dynamo & Motor Exchange, Inc., 41-45 Elm St.
ROCHESTER - T. H. Green Electric Co., 31-37 N. Water St.
SYRACUSE - The Square Electric Co., 320 N. Clinton St.

DOERR ELECTRIC CORPORATION
CEDARBURG, WISCONSIN

AUTHORIZED ELECTRIC MOTOR SERVICE STATIONS

NORTH CAROLINA CHARLOTTE- Southern Electric Service Co., Inc. 714 W. Trade St.
FAYETTEVILLE - Electric Motor & Repair Co., 439 Gillespie St.
RALEIGH - Electric Motor & Repair Co., 418 S. Dawson St.

OHIO BELLEFONTAINE - Electric Motor & Supply Co., 308 W. Columbus Ave.
CANTON - Jackson-Bayley Electric Co., Inc., 825 Navarre Rod., S. W.
CINCINNATI- Cincinnati Electrical Repair Co., 313 E. Pearl St.
CLEVELAND - Reserve Electric Co., 2090 E. 19th St.
COLUMBUS - Columbus Electrical Works Co., 285-87 N. 4th St.
YOUNGSTOWN - J. B. Winkle Co., 703 Andrews Ave.

OKLAHOMA OKLAHOMA CITY - Electric Equipment & Supply Co., 122 W. Noble

OREGON PORTLAND - L. A. Walker Electric Works, 206 Northwest 10th Ave.

PENNSYLVANIA ALLENTOWN - H. N. Crowder Jr. Co., 444 Union Street (Send all correspondence
to this station).
EASTON - H.N. Crowder Jr. Co., 624 Lehigh Drive
PHILADELPHIA - Ace Electric Motor Service Co., 129-31 N. 3rd St.
PITTSBURGH - Ferry Electric Service Co., 127 4th Ave.
READING - Standard Electric Service Corp., 1730 N. 10th St.

RHODE ISLAND PROVIDENCE - Schmidt Electric Co., 137 Chestnut St.

SOUTH CAROLINA COLUMBIA - Electric Motor & Repair Co., 534 Lady St.

SOUTH DAKOTA SIOUX FALLS - Electric Motor Repair, 927 E. 8th St.

TENNESSEE CHATTANOOGA - Dixie Industrial Service, 1231 Market Street
KNOXVILLE - Tennessee Armature & Electric Co., Inc. 312 W. Jackson Ave.
MEMPHIS - Shelby Electric Co., 112 E. Iowa at Main.

TEXAS DALLAS - W. M. Smith Electric Co., 3200 Grand Avenue
EL PASO - M. & M. Refrigeration & Electric Supply Co., 403 Montana St.
HOUSTON - Oliver Armature Works, 612 Live Oak St.
SAN ANTONIO - Loyd Electric Co., 511 El Pasco St.
WACO - Caldwell Electric Shop, 1728 Franklin Ave.

UTAH SALT LAKE CITY - Shraga Electric, 274 S. 1st St., W.

VIRGINIA STAUNTON - Johnson Electric Co., 331-33 N. Central Ave.

WASHINGTON SEATTLE - Electric Motors, Inc., 1526 1st Ave., South
SPOKANE - Nixon Kimmel Electric Machinery Co., 167 S. Wall St.
WALLA WALLA - Berry Electric Co., 103 3rd Ave., S.

WISCONSIN CEDARBURG - Doerr Electric Corporation, (Factory)

FOREIGN AUTHORIZED SERVICE STATIONS

CANADA HALIFAX, NOVA SCOTIA - Nova Scotia Armature Works, 97 Brunswick St.
TORONTO, ONTARIO - Tordoff Electric Co., 96 Queen St., E.
MONTREAL, QUEBEC - Motor Repair Limited, 1903 St. James, W.
VANCOUVER, BRITISH COLUMBIA - Armature Electric Co., 1055 Seymour St.
WINNIPEG, MANITOBA - Acme Electric Motor Service, 763 Portage Avenue

MARATHON ELECTRIC MANUFACTURER'S CORP.
WAUSAU, WISCONSIN

AUTHORIZED ELECTRIC MOTOR SERVICE STATIONS

ALABAMA BIRMINGHAM 5 - Electric Motor Service - 606 - 32nd St. So.
 TUSCALOOSA - Freeman's Electric Co. - 1616 - 25th Ave.

ARIZONA PHOENIX - Daly Electric Co. 962 E. Van Buren St.

ARKANSAS LITTLE ROCK - Electric Motor Service - 314 E. 11th St.

CALIFORNIA EUREKA - Wabash Electric Co. - 28 W. Wabash Ave.
 FRESNO - Arrow Electric Motor Service - 625 Broadway
 LOS ANGELES 15 - Electric Motor Repair Co. - 1326 S. Olive St.
 OAKLAND 7 - Electric Motor & Machine Works - 217 Broadway
 SACRAMENTO 14 - Al Bedard's Parts Supply - 1626 N. "C" St.
 SAN FRANCISCO 3 - City Electric Co. - 84 Shotwell St. (Nr. 15th)

COLORADO DENVER 2 - Weaver Electric Co. 1721-25 Lorimer St.

CONNECTICUT WATERBURY 20 Electric Motor Repair Co. Inc. 2101 S. Main St.

DELAWARE WILMINGTON - Bartley's Electric Service 100 Maryland Ave.

FLORIDA GAINESVILLE - Electric Motor Repair Co. 10 SE Fifth Ave.
 JACKSONVILLE 4 - Florida Electric Motor Works Inc. 1004 E. 8th St.
 MIAMI - Peninsular Armature Works - 1653 N. Miami Ave.
 ORLANDO - Orlando Armature Works, Inc. 611-617 W. Central Ave.
 ST. PETERSBURG - Die Polder Electric Eng. Co. - 247-249-7th Ave. S.
 TAMPA - Florida Motor & Armature Works - 1609 Franklin St.

GEORGIA ATLANTA - Ace Electric Company - 333 Edgewood Ave., S.E.
 AUGUSTA - Electric Equipment Co. 622-26 Ellis St.
 MACON - Wilson Electric Co. 549 Pine St.
 SAVANNAH - Electrical Machinery Co., Inc. 126 W. Bay St.

IDAHO NAMPA - Hopper Electric Service - 912 - 2nd St. So.

ILLINOIS CHICAGO 22 - Sievert Electric Co. Inc. - 1333-51 Bouwans St.
 EVANSTON - Rainbow Electric Co. - 2608-10 Green Bay Rd.
 FREEPORT - Alfred Koym - 417 Locust St. So.
 PEORIA - M. & J. Electric Co. 308 Walnut St.

INDIANA ELKHART - Thornton Electric, Inc. 104 S. Main St.
 EVANSVILLE 12 - Superior Elec. & Dist. Co. - 2325 W. Maryland St.
 FT. WAYNE 2 - Wayne Electric Co. 213-215 W. Breckenridge St.
 HAMMOND - Mills Electric Co. - 4726 Calumet Ave.
 HUNTINGTON - Christman Motor Repair - 1544 N. Jefferson St.
 INDIANAPOLIS 4 - Frakes Electric Co. - 430 E. New York St.
 RICHMOND - Richmond Electric Motor Service - 10 Liberty Ave.
 SOUTH BEND 1 - Koontz-Wagner Electric Co. Inc. - 516 N. Michigan St.

IOWA BURLINGTON - Barfel's Electric Motors - 901 S. Main St.
 CARROLL - Sunderman Bros. Electric
 CEDAR RAPIDS - Electric Motors Co. - 353 - 2nd Ave. S.W.
 DAVENPORT Industrial Eng. & Equipment Co. 122-124 E. 4th St.
 DES MOINES 9 - Iowa Electric Motor Service - 721-25 Tuttle St.
 MARSHALLTOWN - Elgeston Electric Co. 317-319 S. 3rd Ave.
 MASON CITY - Zack Bros. Electric Co. 306 Second St. S.W.
 SIOUX CITY 1 - Paul Electric Co. 117 Fourth St.

KANSAS COFFEYVILLE - O.K. Electric Works - 10 E. North St. Box 502
 GARDEN CITY - Hawkins Electric Service - 401 E. Santa Fe
 SALINA - Central Kansas Elec. & Machy. Co. - 912 W. North St.
 WICHITA - Southwestern Electric Co. 123 No. Market St.

KENTUCKY LOUISVILLE 3 - Krouth-Campbell Electric Co. - 785 S. Shelby St.

MARATHON ELECTRIC MANUFACTURER'S CORP.
WAUSAU, WISCONSIN

AUTHORIZED ELECTRIC MOTOR SERVICE STATIONS

LOUISIANA ALEXANDRIA - Alexandria Armature Co. - 1401 Murray St.
NEW ORLEANS 13 - S. J. Stewart Electric Co. 527-31 St. Joseph St.
SHREVEPORT - Shreveport Arm. & Elec. Works - 800-818 Spring St.

MARYLAND BALTIMORE 1 - Lange Electric Co. 202-208 W. Chase St.
BALTIMORE - Lipman Electric Co. 631 Portland St.

MASSACHUSETTS BOSTON 10 - Electric Equipment Co. 137 Pearl St.
CAMBRIDGE 39 - Empire Electrical Co. 6 Portland St.

MICHIGAN DETROIT 1 - Henry F. Hurley Electric Co. 924 W. Warren Ave.
GRAND RAPIDS 2 - Kirkhof Electric Co. - 101 Sheldon Ave. S.E.
KALAMAZOO - Kalamazoo Electric Motor Service - 702 Portage
MARQUETTE - Industrial Engineering & Sales - 148 Spring St.
MUSKEGON - Jones Electric Co. 656-660 Ottawa St.
SAGINAW - Henry Electric Co. - 1716 S. Jefferson Ave.

MINNESOTA DULUTH 2 - Mielke Electric Works - 922-24 E. Superior St.
MINNEAPOLIS - Beustead Elec. & Mfg. Co., Inc. 109-111 Washington No.
ROCHESTER - Tom's Electric Co. - North Broadway at Tenth St.

MISSISSIPPI LAUREL - Electric Motor Service - 905 S. 13th Ave.

MISSOURI KANSAS CITY 8 - A & B Electric Co. - 2916 McGee Trafficway
ST. LOUIS 4 - Hall Electric Co. - 1901-3-5 Gravois Ave.
SPRINGFIELD - Springfield Electric Service Co. - 224 E. Phelps

MONTANA BILLINGS - Lockram Electric Co. - 113½ N. 25th St.

NEBRASKA LINCOLN - Colin Electric Motor Service - 127 S. 19th St.
OMAHA 9 - Electric Machinery Service 1903 S. 13th St.

NEVADA RENO - Brown Milbery, Inc. 322 N. Sierra St. P.O. Box 1431

NEW YORK ALBANY - Casey's Elec. Repair Shop - 39 Hamilton St.
BINGHAMTON - Walter J. Rider - 320-326 Water St.
BUFFALO 3 - Dynamo & Motor Exchange, Inc. - 41-45 Elm St.
NEWARK 4 - Marathon Electric Mfg. Corp. - 313-315 Ogden St.
ROCHESTER 4 - T. H. Green Electric Co. Inc. 31-37 N. Water St.
SYRACUSE 8 - Murray Electric Co. - 673 Oswego Blvd.

NEW JERSEY NEWARK 4 - Marathon Electric Mfg. Corp. 313-315 Ogden St.

NORTH CAROLINA CHARLOTTE - Jones Electric Repair Co. - 709-715 E. 7th St.
CHARLOTTE 1 - Southern Electric Service Co. 714 W. Trade St.
FAYETTEVILLE - Electric Motor Repair Co. - 439 Gillespie St.
GREENSBORO - Southern Electric Service Co., Inc.
RALEIGH - Electric Motor Repair Co. - 418 S. Dawson St.

NORTH DAKOTA FARGO - Fargo Electric Motor Co. - 620 Second Ave. N.

OHIO BELLEFONTAINE - Electric Motor & Supply Co. - 308 W. Columbus Ave.
CANTON 11 - Jackson-Bayley Elec. Co. Inc. - 825 Navarre Rd. S. W.
CINCINNATI - Cincinnati Elec. Repair Co. 313 E. Pearl St.
CINCINNATI - Electric Motor Service Co.
CLEVELAND 15 - The Reserve Electric Co., - 2090 E. 19th St.
COLUMBUS 15 - Columbus Elec. Works Co. - 285 No. Fourth St.
SPRINGFIELD - The Springfield Electric Motor Co. Inc.
TOLEDO - Fred W. Kiemle Co. - 33-37 Superior St.
YOUNGSTOWN - Frank's Electric Co. - 217 N. Champion St.

MARATHON ELECTRIC MANUFACTURER'S CORP.
WAUSAU, WISCONSIN

AUTHORIZED ELECTRIC MOTOR SERVICE STATIONS

OKLAHOMA OKLAHOMA CITY 4 - Electric Equip. & Supply Co. 122 W. Noble
TULSA - B & B Electric - 11 East Brady

OREGON EUGENE - Kalen Electric & Machinery Co. - 175 E. Street
PORTLAND 9 - Walker Electric Works - 206 N.W. Tenth Ave.

PENNSYLVANIA PITTSBURGH 22 - Ferry Electric Service Co. - 127 - Fourth Ave.
PHILADELPHIA 6 - Ace Electric Motor Service Co. - 220 Quarry St.
PHILADELPHIA 33 - J. J. Smith Elec. Motor Co. - 2315-17 N. 11th St.
READING - Standard Elec. Service Corp. 1730 N. Tenth St.
SCRANTON 9 - Graham Electric Motor & Machine Co. 901 Adams Ave.
STEELTON - Electric Service & Machine Co. 760-770 N. Front St.

RHODE ISLAND WESTERLY - The G. E. Wheeler Co. - 85 Margin St.

SOUTH CAROLINA COLUMBIA - Electric Motor Repair Co. - 534 Lady St.
GREENVILLE - Southern Electric Service Co., Inc.
SPARTANBURG - Southern Electric Service Co., Inc.

SOUTH DAKOTA SIOUX FALLS - Electric Motor Repair - 927 E. 8th St.

TENNESSEE CHATTANOOGA 2 - Dixie Industrial Service - 1231 Market St.
JACKSON - Glisson's Electric Motor Repair Wks. Cor. Jackson & Whitehall
KNOXVILLE 24, Tennessee Arm & Elec. Co. - 312-14 W. Jackson Ave.
KNOXVILLE 17 - Tennessee Electric Motor Service - 109 Jennings Ave.
MEMPHIS - Tri-State Armature & Elec. Works - 321-331 Butler Ave.
NASHVILLE 3 - Tennessee Electric Motor Service - 408-10 Commerce St.

TEXAS AMARILLO - G. E. Jones Electric Co. - 208-14 N. Polk St.
BEAUMONT - Electrical Machinery & Repair Co. - 801 S. Fourth St.
CORPUS CHRISTI - Fulton - Sparks Armature Wks. 1926-30 Antelope St.
DALLAS 1 - Electric Motors Service - 1419 Dragon St.
DALLAS - W. M. Smith Electric Co. 3200 Grand Ave.
EL PASO - B&M Machinery Co. - 710 Texas St. Box 408
FT. WORTH 6 - Central Electric Co. - 712 N. Main St.
HOUSTON 3 - Oliver Armature Works - 612 Live Oak St.
HOUSTON 11 - Texas Armature Works - 6618 Navigation Blvd.
HOUSTON 10 - Tony's Electric & Equipment Co. - 1610 W. Capitol
ODESSA - Duke Electric Co. - 111 N. Lee
PLAINVIEW - Davis Electric Co. - 804 Houston St.
SAN ANTONIO - Electric Motor Service & Sales - 900 E. Commerce St.
SAN ANTONIO 7 - Loyd Electric Co. - 511 El Paso St.
WACO - Caldwell Electric Shop - 1728 Franklin Ave.

UTAH SALT LAKE CITY 1 - Schrago Electric Co. - 274 S. 1st West St.

VIRGINIA RICHMOND - Electrical Equipment Co. - 9-13 W. Main St.
STAUNTON - Johnson Electric Co. 331-33 N. Central Ave.

WASHINGTON SEATTLE 1 - Fellstrom Electric Co. - 2211 Ninth Ave.
SEATTLE 99 - Harris Electric - Fisherman's Dock c/o Salmon Bay Terminal
SPOKANE 8 - Nixon-Kimmel Co. - 167 S. Wall St.
SPOKANE 8 - G. O. Toms Electric Co. - 319 W. Second St.
WALLA WALLA - Berry Electric Co. 103 Third Ave. So.
WESTPORT - Ballard Marine Electric

WEST VIRGINIA CHARLESTON - Ketter Electric Co. - 19 Virginia St. W.
HUNTINGTON 3 - Lawler Electric Motor Co. - 314-316 Twentieth St.

WISCONSIN MADISON 3 - Electric Motor Repair Co. - 1228 Williamson St.
MILWAUKEE 4 - Holt Electric Motor Co. - W. Pierce at S. 5th St.
WATERTOWN - Annis Electric Co. - 311 William St.
WAUSAU - Marathon Electric Mfg. Corp

MARATHON ELECTRIC MANUFACTURER'S CORP.
WAUSAU, WISCONSIN

AUTHORIZED ELECTRIC MOTOR SERVICE STATIONS

FOREIGN
AUTHORIZED
STATIONS

MONTREAL, QUEBEC, CANADA - Motor Repair, Ltd. 1903 St. James W.
TORONTO, ONTARIO, CANADA - Tordoff Electric Co. - 96 Queen St.
VANCOUVER, BRITISH COLUMBIA, CANADA - Armature Elec. Co.
1055 Seymour St.

A. O. SMITH CORPORATION
TIPP CITY, OHIO

AUTHORIZED ELECTRIC MOTOR SERVICE STATIONS

ALABAMA ANNISTON - Mable Electric Company, 1007 Kirkwood Ave.
BIRMINGHAM - Electric Motor Service, 606 32nd St., South.
FLORENCE - Muscle Shoals Arm. Co., 219 South Royal Avenue.
MOBILE - Russell Electric Company, Inc., 205 North Royal St.
MONTGOMERY - Standard Electric Co., 505 N. Decatur Street
TUSCALOOSA - Eddie's Electric Motor, 2300 Fourth Street

ALASKA ANCHORAGE - Alaska Electric & Eqpt. Co., Box No. 42.

ARIZONA PHOENIX - Deberge & Babcock Electric, 550 W. Washington Street
PHOENIX - Vinson-Carter Electric Co., 325 N. 4th St.
TEMPE - Tempe Appliance & Electric Co., 395-397 Mill Ave.
TUCSON - Miller Motor Rewinding Shop, 2701 E. Seneca Street
YUMA - Jongeward Electric Company, 8th Street & 8th Avenue

ARKANSAS FORT SMITH - Electric Service Company, 723 Towson Avenue
NO. LITTLE ROCK - Brown Electric Company, 312-14 Magnolia Street

CALIFORNIA BAKERSFIELD - Industrial Electric Motor Service, 418 Baker Street
EL CENTRO - Joe Bush Electric, P.O. Box 1538.
EUREKA - Senn Electric, 1801 Fairfield.
FRESNO - Electric Motor Shop, 253 Fulton Street
MANTECA - Reibin's Service Shop, Dept. 213 W. Yosemite Avenue
MARYSVILLE - Kinney Electric, 818 Fifth Street
OAKLAND - Scott-Buttner Electric Co., Inc. 896 W. Grand Ave.
REDDING - Redding Industrial Electric Co., Highway 99 S
SACRAMENTO - Stone Electric Motor Service, 1442 Del Paso Blvd. North
SALINAS - Quality Electric Company, P. O. Box 1428, 211 E. Market Street
SAN BERNARDINO - Standard Electric Co., 191 Arrowhead Avenue
SAN DIEGO - California Electric Works, 424 Eighth Avenue
SAN FRANCISCO 3 - O'Keeffe's, Inc., 55 11th St.
SAN JOSE - 510 W. San Fernando Street (Mr. Roy M. Butcher)
SANTA ROSA - Leete Electric Motor Co., 930 Santa Rosa Avenue
STOCKTON - Frenchie the Motorman, 1630 No. Wilson Street
TRACY - Hart Electric Shop, 243 East Highland
TULARE - Turnupseed Electric Service, Inc., 340 E. Inyo Street
VISALIA - Langdon Electric Motor & Pump Co., 410 East Main Street

COLORADO COLORADO SPRINGS - Kistler Electric Company, 13 S. Cascade Avenue
DENVER - Baker Electric Company, 1842 Lawrence Street,
DENVER - Conn Electric Service, 1651 Blake Street
GRAND JUNCTION - Williams Electric Motor Service, 721 S. Seventh Street
LAMAR - Sutphin's Electric Motor Works, 501 North Fifth.
PUEBLO - Johnson Electric Company, 324 South Union

CONNECTICUT BRIDGEPORT - Electric Motor Maintenance Co., 207 Bay Street
HARTFORD - Mr. Charles H. Leppert, 100 Walnut Street
NEW HAVEN - Schulz & Ingram, Inc., 960 Dixwell Avenue
NEW LONDON - Electric Motor Rep. Service, 454 Colman Street

DISTRICT OF WASHINGTON, D.C. - Capitol Armature Service, 633 Callan Street, N. E.
COLUMBIA

DELAWARE WILMINGTON - Wesley Jagger, Inc., 517 Jefferson Street

FLORIDA BRANDENTON - Electric Motors, 5124 Third Avenue
DANIA - Riles Armature Co., 1419 S. Federal Way, P.O. Box 2115
FORT PIERCE - Fort Pierce Armature Corp., P.O. Box 1393
GAINESVILLE - Electric Motor Repair, Co., of Gainesville, 10 S.E. 5th Avenue
JACKSONVILLE - Hudson Electric Motor Service, 2288 Edison Avenue
JACKSONVILLE - Jacksonville Armature & Motor Works, 1060 E. Adams St.
LAKELAND - Rowand's Electric Motor Service, 1225 New Tampa Hy.
MIAMI - Peninsular Arm. Works, 151 N. W. 24th Street
OCALA - Central City Motor Service, 1326-1/2 N. Magnolia St.
ORLANDO - Orlando Arm. Works, Inc. Box 1708
PANAMA CITY - W. Florida Electric Service Co. Inc. P.O. Box 786
PENSACOLA - Electric Motor Service, Inc., 124 N. DeVilliers St. P.O. Box 361
ST. PETERSBURG - Die Polder Electric Engr. Co., 247-249 Seventh Ave. South
TAMPA - Laycock Arm. Works, Inc., 102 W. Fortune Street, P.O. Box 1483

A. O. SMITH CORPORATION
TIPP CITY, OHIO

AUTHORIZED ELECTRIC MOTOR SERVICE STATIONS

GEORGIA ATLANTA - Cleveland Electric Company, 557 Marietta Street, N. W.
AUGUSTA - Electric Equipment Co., 624-626 Ellis Street
CHAMBLEE - Southern Sta-Rite, Inc., 5009 Peachtree Rd.
COLUMBUS - Smith-Gray Electric Co., 710 Third Avenue
MACON - Wilson Electric Company, 523 Pine Street
SAVANNAH - Electric Motor Service Company, 312 W. Oglethorpe Avenue
THOMASVILLE - E. J. Williamson Electric Company, 135 S. Madison Street

IDAHO BOISE - Missman Electric Company, 2304 N. 26th Street
IDAHO FALLS - Rossiter Electric Sales & Service, 204 N. Capitol Avenue
POCATELLO - C-L Electric Company, 410 South Main Street
TWIN FALLS - Electric Service Company, 364 Second Avenue, East

ILLINOIS CHICAGO - Goding Electric Company, 17 S. Desplaines Street
DANVILLE - Modern Machine Shop, Inc., 123-125 N. Hazel Street
DECATUR - Bodine Electric Shop, 1136 E. Wood Street
GALESBURG - Carrel Electric Company, 62 S. Seminary
PEORIA - Hendricks Electric Company, 214-216 Second Avenue
ROCKFORD - Rodkford Power Machine Div., Mid-States Industrial Corp.
2401 11th Street
SPRINGFIELD - Volle Electric Service Company, 11th at Capitol

INDIANA ANDERSON - The Universal Elec. Company, Inc., 225 E. 8th Street
EVANSVILLE - Swanson-Nunn Electric Company, 420 S.E. Eighth Street
FORT WAYNE - Wayne Electric Company, 213 W. Breckenridge Street
INDIANAPOLIS - Frakes Electric Co., Inc., 426 E. New York
INDIANAPOLIS - Meier Electric & Machine Co., Inc., 3525 E. Washington St.
LOGANSPORT - Gibson Electric Inc., 707 Burlington Avenue
MARION - The Universal Electric Company, Inc., 1216 S. Branson Street
MUNCIE - The Universal Electric Company, Inc., 301 N. High Street
SOUTH BEND - Koontz-Wagner Electric Company, Inc., 516 N. Michigan Street
TERRE HAUTE - Walker Electric Sup. Co., Inc., 124-130 S. Third Street

IOWA BURLINGTON - Bartel's Electric Motors, 901 S. Main
CEDAR RAPIDS - Electric Motors Co., 353 Second Avenue, S. W.
DAVENPORT - Ind. Eng. Equip. Company, 122-124 E. Fourth Street
DES MOINES - Iowa Service Company, 114-12th Street
DES MOINES - Iowa Electric Motor Service, 721-25 Tuttle Street
DUBUQUE - Dubuque Electric Motor Rep. & Service, 1250 Jackson Street
KEOKUK - The Martin Machine & Electric Company, 1320 Main Street
MASON CITY - Zack Bros. Electric Company, 306 Second Street, S. W.
OTTUMWA - Martin Machine & Electric Co., 638-640 E. Main Street
SIOUX CITY - Smith Electric & Supply Company, 415-417 Jones Street

KANSAS DODGE CITY - Reddoch Electric, 94 Second Street
GREAT BEND - Johnson Electric Company, 2212 Tenth Street
TOPEKA - Capitol Electric Company, 205-11 East Ninth Street
WICHITA 12 - Richmond Elec. Co., 1018 Maple

KENTUCKY LEXINGTON - Sweeney Electric Co., Inc., 197-99 N. Limestone Street
LOUISVILLE - William C. Krauth, Electric Company, 118 So. 1st Street
PADUCAH - Warden Electric Company, 121 Broadway

LOUISIANA ALEXANDRIA - Alexandria Arm. Company, 1401 Murray Street
NEW ORLEANS - Reliance Electric Company, 820 Carondelet Street
SHREVEPORT - Shreveport Arm. & Electric Works, 800-18 Spring Street

MARYLAND BALTIMORE - The Electric Motor Repair Company, 340 Fallsway

MASSACHUSETTS BOSTON - Northeastern Electric Company, 250 Broadway
CAMBRIDGE - Empire Electric Co., 6 Portland Street
FALL RIVER - Chace Electric Company, 276 Plymouth Avenue
FITCHBURG - Moriarty Electric Co. Inc., 14 Oliver Street
LOWELL - White Electric Service, 430 Broadway
SPRINGFIELD - Superior Elec. Co. Inc., 501 St. James Avenue
WORCESTER - Alfred L. Brown Assoc., Inc., 4 Cherry Street

A. O. SMITH CORPORATION
TIPP CITY, OHIO

AUTHORIZED ELECTRIC MOTOR SERVICE STATIONS

MICHIGAN BATTLE CREEK - Commercial Electric Company, 333 Hamblin Street
BAY CITY - Smith-Maynard Electric Co., 1108 North Water Street
DETROIT 1 - Henry F. Hurley Elec. Co., 944 W. Warren
GRAND RAPIDS - Kirkhof Electric Company, 101 Sheldon Avenue, S.E.
JACKSON - Electric Main. & Rep. Company, 334 Otsego Avenue
LANSING - Barker-Fowler Electric Company, 116 E. Ottawa Street
PONTIAC - Hodges Motor & Pump Supply, 463 S. Saginaw Street
TRAVERSE CITY - Northwestern Electric Service Inc., 428 E. Front Street

MINNESOTA ALBERT LEA - Randall Electric Company, 304 S. Newton Street
AUSTIN - Powerite Electric Motor Co., 105 South Franklin
DULUTH - Mielke Electric Works, Inc., 922-24 E. Superior Street
MINNEAPOLIS - Boustead Electric & Mfg. Company, 109-11 Washington Ave., N.
MOORHEAD - Akin's Auto Electric, 619 First Avenue, So.

MISSISSIPPI CORINTH - Corinth Armature Works, West Tate Street
JACKSON - Power Electric Co., Inc. 1920 N. Mill Street, P.O. Box 267
MERIDIAN - Peller Electric Motor Service, P.O. Box 883, 2125 Grand Avenue

MISSOURI CAPE GIRARDEAU - Missouri Elec. Works, Inc. Morgan Oak & Middle St. P.O.
Box 322
JEFFERSON CITY - Lisenbardt Elec. Motor Service, 809 Jefferson Street
KANSAS CITY - The Electric Service Co., 1207 Holmes Street
SPRINGFIELD - Wheat Electric Co. Inc., 204 W. Pershing
ST. LOUIS 2 - Acme Electric Company, 922 North Broadway
ST. LOUIS 3 - Commercial Electric Motor Service, 3121 Washington Avenue
ST. LOUIS - French-Gerleman Elec. Company, 110 S. Tenth Street
WEBB CITY - Electric Motor Supply Co., 111 E. Daugherty St.

MONTANA BILLINGS - Lockrem Electric Company, 1710 First Avenue, North
BUTTE - Johnston Electric Shop, 212 S. Montana
GREAT FALLS - Electric Motor Service Co., 109 Second St., South
HELENA - Houston Electric Company
MISSOULA - Industrial Elec. Co., 123 W. Alder Street
KALISPELL - Kersich Electric, 234 Second St. West

NEBRASKA LINCOLN - Colins Electric Motor Service, 127 S. 19th Street
OMAHA - Schneider Electric & Equip., Co., 1108 Farnam Street

NEVADA RENO - Brown Milbery, Inc. 322 Sierra Street

NEW JERSEY ATLANTIC CITY - McCaffrey's Elec. M. & M. Co., 11 N. Boston Avenue
N. ARLINGTON - Atlantic Electric Motor Repair, 155 River Road
PATTERSON - Reliable Elec. Mtr. Rep. Co., 388 Grand Street
TRENTON - Lockwood's Elec. Mtr. Service, 2239 Nottingham Way

NEW HAMPSHIRE MANCHESTER - Hall Elec. Motor Service, 591 Lincoln Street

NEW MEXICO ALBUQUERQUE - Electric Motor Company, 1801 E. Campus Blvd.

NEW YORK ALBANY - Commodore Electric Company, Inc., 43-45 Liberty Street
BINGHAMTON - Walter J. Rider Co., Inc., 320-326 Water Street
BUFFALO 3 - Lang Electric Co., Inc. 267-277 Oak St.
BUFFALO - Wardell-Thurston Elec. Co., 578 Michigan Avenue
HOLLIS - General Elec. Specialty Co., 184-01 Hillside Avenue
JAMESTOWN - Lester Electrical Motor Repair Co., 797 Foote Avenue
LONG ISLAND CITY - P.J. Quinn's Sons Elec. Mtr. Co., 5-38 47th Road
MT. VERNON - H. A. Schreck, Inc. 140 E. Third Street
NIAGARA FALLS - Pine Electric Service, 1408-10 Pin Avenue
POTSDAM - Tennant Elec. Mtr. Serv., 7-1/2 Pine Street, P.O. Box 227
POUGHKEEPSIE, - H.A. Schreck, Inc. 507 Main Street
ROCHESTER - T.H. Green Elec. Co., Inc., 31-37 N. Water Street
SYRACUSE - Rogers & Hilton, Inc., 318-24 Pearl Street
UTICA - Mather, Evans & Diehl Co. Inc., 509 Lafayette Street

A. O. SMITH CORPORATION
TIPP CITY, OHIO

AUTHORIZED ELECTRIC MOTOR SERVICE STATIONS

NORTH CAROLINA ASHEVILLE - Asheville Elec. Co., 6-8 Mount Clare Avenue
CHARLOTTE - Southern Elec. Service Co. Inc., 716 W. Trade Street
CONCORD - Central Rewinding Company, 312 N. Church Street
GREENSBORO - Southern Electric Service Co. Inc., 853 S. Elm Street
RALEIGH - Electric Equip. Co., 2526 Hillsboro Street
WINSTON-SALEM - Snow Electric Company, 303 S. Marshall Street

OHIO AKRON - Electric Repair Shop, 545 E. Exchange Street
ATHENS - Electric Motor Service, 102 West Union Street
BELLEFONTAINE - Electric Motor & Supply Co., 308-316 W. Columbus Ave.
CANTON - Noel Elec. Motor Service, 906 Spring Avenue, N. E.
CINCINNATI - The Sullivan Elec. Co., 838 Ready Street
CINCINNATI - Electric Motor Service Co., 1326 Sycamore Street
CLEVELAND - Independent Elec. Mtr. Service, 11610 Superior Avenue
COLUMBUS - American Electric Works, 231 N. Fifth Street
DAYTON - The Dayton Elec. Serv. Co., 34 N. Patterson Blvd.
MANSFIELD - Phoenix Electric Company, 225 Central Avenue
TOLEDO - The Fred. W. Kiemle Co., 33-37 Superior Street
ZANESVILLE - The Elec. Mtr. & Service, 218 Adams Street

OKLAHOMA ENID - Honey Fan & Motor Works, 531 S. Van Buren
OKLAHOMA CITY - Southwest Electric Company, 2617-21 S. Agnew

OREGON EUGENE - Keith's Elec. Mtr. Serv. 678 Olive Street
MEDFORD - Gage Elec. Mtr. Serv. 112 N. Front Street
PORTLAND - L. A. Walker Elec. Works, 206 N. W. Tenth Avenue

PENNSYLVANIA ALTOONA - H. D. Force Armature Works, 2224 W. Ninth Avenue
ERIE - Knoblock Electric Service, 24 E. 21st Street
GREENSBURG - Electric Motor Repairs, 522 Tremont Avenue
HARRISBURG - Edwin L. Heim Company, 671 S. 19th Street
JOHNSTOWN - Universal Electric & Mfg. Company, 629 Elder Street
LANCASTER - J. S. Neuhauser & Son, 996-998 E. Orange Street
PHILADELPHIA - Mueller Elec. Co., 216 N. 11th Street
PITTSBURGH - Myers Electric Co. Inc., 209 First Avenue
PUNXSUTAWNEY - Punxsutawney Elec. Rep. Co., Inc., 227 N. Penn St.
READING - Electric Mtr. Spec. Rep. Co., 1831 Perkiomen Avenue

RHODE ISLAND PROVIDENCE - Schmidt Electric Company, 137 Chestnut Street

SOUTH CAROLINA COLUMBIA - Columbia Elec. Rep. Co. Inc., 900 Main St.
FLORENCE - Fortner-Watkins Elec. Co., 309 S. Revell Drive., P.O. Box 125
GREENVILLE - Southern Elec. Service Co. Inc.,
SPARTANBURG - Southern Electric Service Co. Inc.,

SOUTH DAKOTA ABERDEEN - Nelson Auto Elec. Co., 309 S. First Street
LEMMON - Portney Elec. Rep. & Appl. Company
SIOUX FALLS - Electric Motor Rep. 927 E. Eighth Street

TENNESSEE CHATTANOOGA - Chattanooga Arm. Works, 1215 Duncan Avenue
KNOXVILLE - Tenn. Elec. Motor Service of Knoxville, 109 Jennings Ave.
MEMPHIS - Southern Electric Company, 1089 Union Avenue
NASHVILLE - Tenn. Electric Motor Service, 408-10 Commerce Street

A. O. SMITH CORPORATION
TIPP CITY, OHIO

AUTHORIZED ELECTRIC MOTOR SERVICE STATIONS

TEXAS
ABILENE - Abilene Electric Company, 1325 Pine
AMARILLO - G. E. Jones Electric Co., Inc. 212 N. Polk Street, P.O. Box 2049
BEAUMONT - J & J Arm. Works, Inc., 1136 Neches Street, P. O. Box 4111
CORPUS CHRISTI - Bradley's Mtr. & Arm. Works, 1920 N. Port Avenue
EL PASO - Electric Motor Company, 1517 Wyoming St.
FORT WORTH - Foshee Electric Company, 203 S. Main Street
HARLINGEN - Lewis Electric Mtr. Service, 316 S. "C" Street
HOUSTON - Hill Electric Co., Inc., 2605 Polk Avenue
LONGVIEW - Longview Elect. Motor Co., 317 E. Cotton Street
LUBBOCK - Anderson-Young Elec. Co., 2202 Clovis Rd., Box 1505
LUFKIN - Hughes Elec. Supply Company
ODESSA - Duke Electric Company, 111 N. Lee
SAN ANGELO - Electric Service Co., 926-32 Pulliam St., P.O. Box 649
SAN ANTONIO - San Antonio Arm. Works, Inc., 637 N. Flores Street
SWEETWATER - Sweetwater Electric Company
TYLER - J & J Armature Works, 403-5 East Erwin
WACO - The Caldwell Elec. Shop, 1728 Franklin Avenue

UTAH
SALT LAKE CITY - Elec. Mtr. & Supply Co., 351 W. Fourth Street

VERMONT
RUTLAND - Hobson's Electric Service, Noyes Avenue

VIRGINIA
DANVILLE - Parrish-Johnson Electric Company, 217 Lynn Street
NORFOLK - Caddell Electric Company, 245 Court Street
RICHMOND - Electrical Equip. Co. 9 W. Main Street, P. O. Box 1714

WASHINGTON
CENTRALIA - Tingstrom Auto Electric, 309 W. Main., P.O. Box 178
OKANAGAN - H. H. Hall Motor Shop, P. O. Box 847
SEATTLE - Seattle Electric Works, 118 5th Avenue North
SPOKANE - Nixon-Kimmel Electric Mach. Co., 167 S. Wall St.
WALLA WALLA - Berry Electric Company, 301 Third Avenue, South.
WENATCHEE - Elec. Motor Service, 404 S. Wenatchee Avenue
YAKIMA - Cooper Electric Motor Service

WEST VIRGINIA
CHARLESTON - Hopkins Elec. Co. Inc., 617 Columbia
CLARKSBURG - Tolley Eng. Company, Fort and Fourth Street
PARKERSBURG - Electric Motor Service Comapny, 207 Ann Street

WISCONSIN
APPLETON - Murz Elec. Service Co., 111 E. South River Street
EAU CLAIRE - C. R. Stocks Electric Company, 1303 Hastings Way
LA CROSSE - LaCrosse Electric Motor Co., 632 Copeland
MADISON - Electric Motor Service, 323 E. Wilson Street
MARSHFIELD - Marshfield Elec. Motor Co., 1100 S. Central Avenue
MILWAUKEE - Holt Electric Motor Company, 700 S. 5th Street
SHEBOYGAN - Penn Electric Co., 1116 Kentucky Avenue Box 491
WAUKESHA - Rusch Electric Motor Company, 330 North Street
WAUSAU - Electric Motor Service, 1005 Third Street

WYOMING
CASPER - Electric Service Company, Box 312
CHEYENNE - Electric Motor Co., 1710 O'Neil

CANADA
ALBERTA - Calgary Davies Electric Co., 1111 - 8 St. West
TORONTO, ONTARIO - A. Cross & Co. Ltd., 45-49 Elm Street

WESTINGHOUSE ELECTRIC CORPORATION
LIMA, OHIO

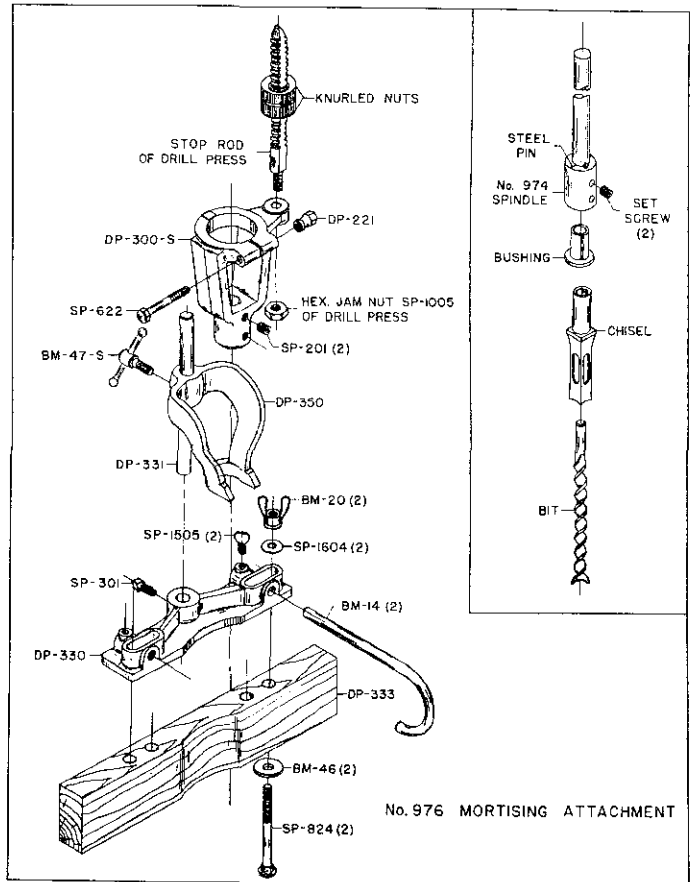
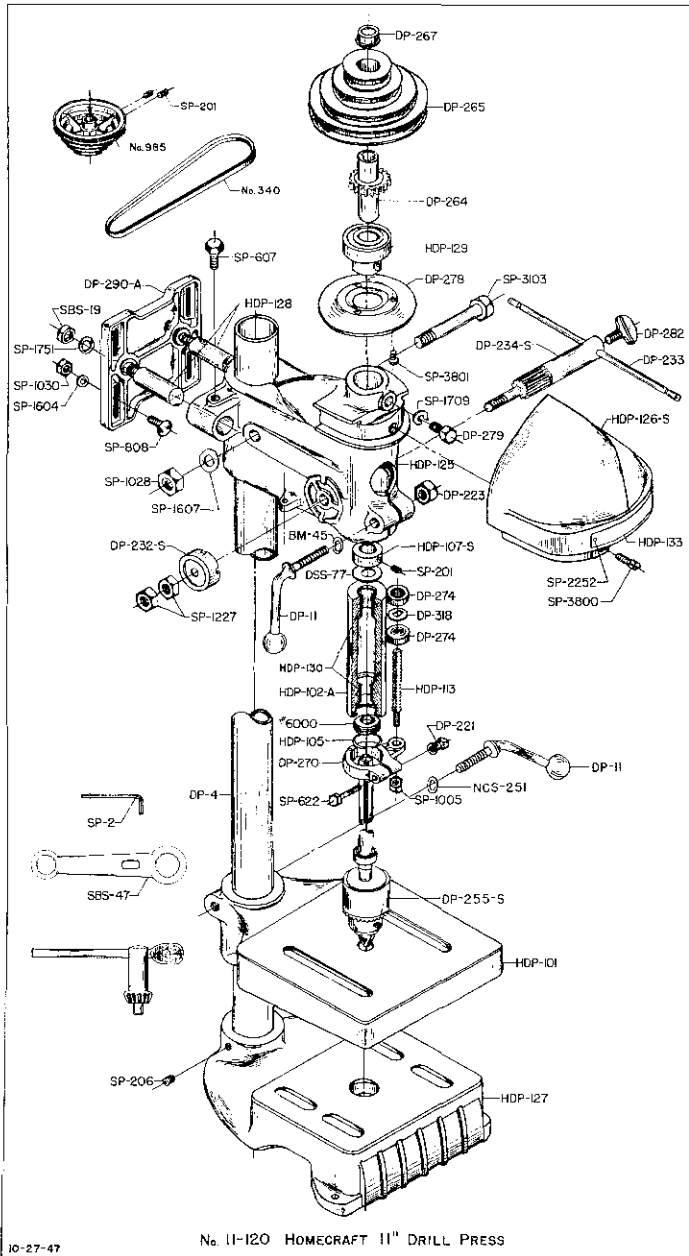
AUTHORIZED ELECTRIC MOTOR SERVICE STATIONS

| | |
|----------------|--|
| CALIFORNIA | EMERYVILLE - Westinghouse Elec. Corp., 5815 Peladeau Street LOS ANGELES - Westinghouse Elec. Corp., 3383 E. Gage Avenue |
| COLORADO | DENVER - Westinghouse Elec. Corp., 988 Cherokee Street |
| CONNECTICUT | BRIDGEPORT - Westinghouse Elec. Corp., 540 Grant Street |
| GEORGIA | ATLANTA - Westinghouse Elec. Corp., 1299 Northside Drive, N. W. |
| ILLINOIS | CHICAGO - Westinghouse Elec. Corp., 3900 W. 41st Street |
| INDIANA | INDIANAPOLIS - Westinghouse Elec. Corp., 511 W. Merrill Street |
| LOUISIANA | BATON ROUGE - Westinghouse Elec. Corp., 555 Choctaw Drive |
| MAINE | AUGUSTA - Westinghouse Elec. Corp., 9 Bowman Street |
| MARYLAND | BALTIMORE - Westinghouse Elec. Corp., 4015 Foster Avenue |
| MASSACHUSETTS | BOSTON - Westinghouse Elec. Corp., 235 Old Colony Ave., S. Boston SPRINGFIELD - Westinghouse Elec. Corp., 395 Liberty Street |
| MICHIGAN | DETROIT - Westinghouse Elec. Corp., 5757 Trumbull Ave., P. O. Box 828 |
| MINNESOTA | MINNEAPOLIS - Westinghouse Elec. Corp., 2303 Kennedy St. N. E. |
| MISSOURI | ST. LOUIS - Westinghouse Elec. Corp., 1601 S. Vandevanter Street |
| NEW YORK | BUFFALO - Westinghouse Elec. Corp., 1132 Seneca Street SYRACUSE - Westinghouse Elec. Corp., 700 W. Genesee Street UTICA - Westinghouse Elec. Corp., 113 North Genesee Street |
| NEW JERSEY | HILLSIDE - Westinghouse Elec. Corp., 1441 Chestnut Avenue |
| NORTH CAROLINA | CHARLOTTE - Westinghouse Elec. Corp., 210 East 6th Street |
| OHIO | CINCINNATI - Westinghouse Elec. Corp., 1050 Laidlaw Avenue CLEVELAND - Westinghouse Elec. Corp., 5901 Breakwater Avenue, Sta. A |
| OREGON | PORTLAND - Westinghouse Elec. Corp., 626 N. Tillamock Street |
| PENNSYLVANIA | JOHNSTOWN - Westinghouse Elec. Corp., 107 Station Street PHILADELPHIA - Westinghouse Elec. Corp., 3001 Walnut Street PITTSBURGH - Westinghouse Elec. Corp., 543 North Lang Street WILKES-BARRE - Westinghouse Elec. Corp., 267 N. Pennsylvania Ave. |
| RHODE ISLAND | PROVIDENCE - Westinghouse Elec. Corp., 16 Elbow Street |
| TEXAS | HOUSTON - Westinghouse Elec. Corp., 5730 Clinton Drive |
| UTAH | SALT LAKE CITY - Westinghouse Elec. Corp., 235 W. South Temple Street |
| WASHINGTON | SEATTLE - Westinghouse Elec. Corp., 3451 East Marginal Way |
| WEST VIRGINIA | FAIRMONT - Westinghouse Elec. Corp., 10th & Beltline, P.O. Box 1147 HUNTINGTON - Westinghouse Elec. Corp., 1029 7th Ave. P. O. Box 1150 |
| WISCONSIN | MILWAUKEE - Westinghouse Elec. Corp., 424 North 4th Street |

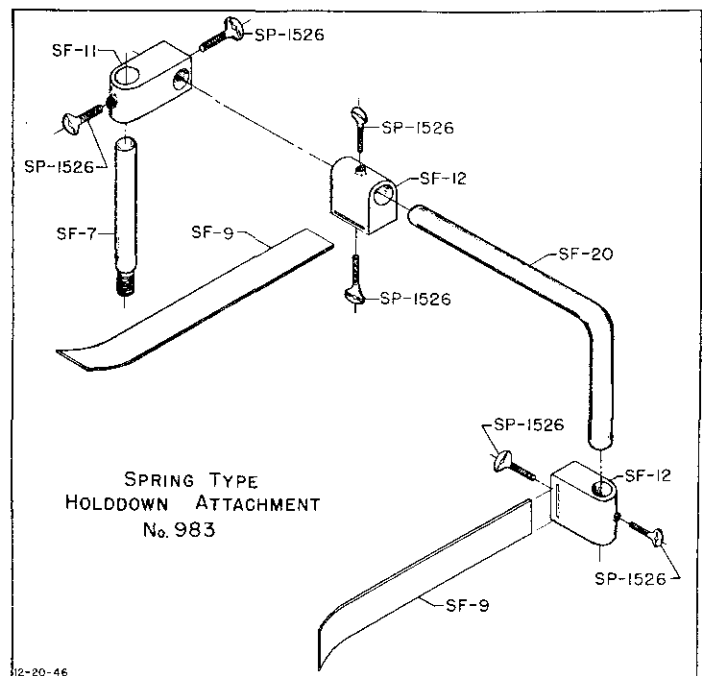
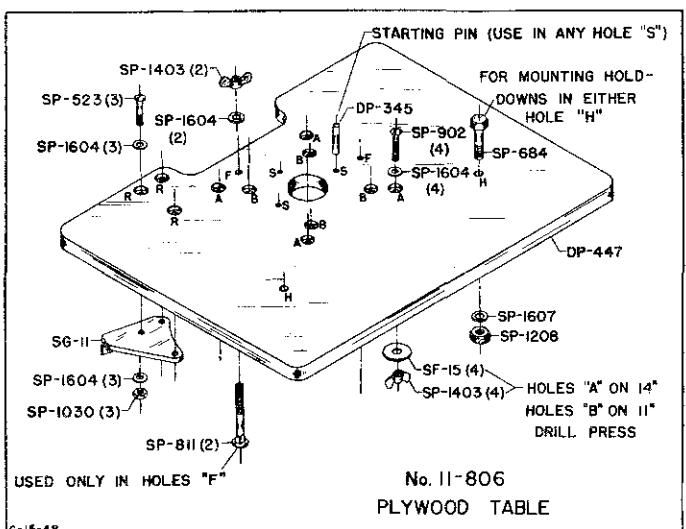
FOREIGN AUTHORIZED SERVICE STATIONS

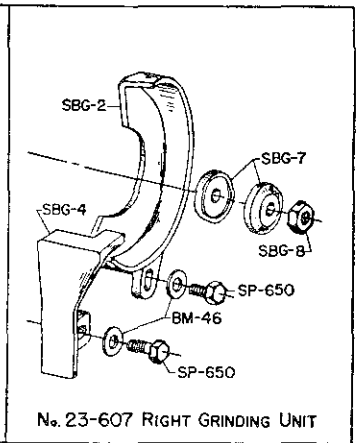
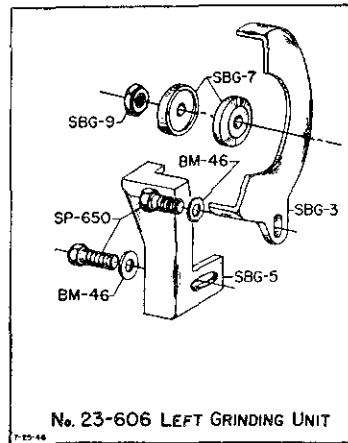
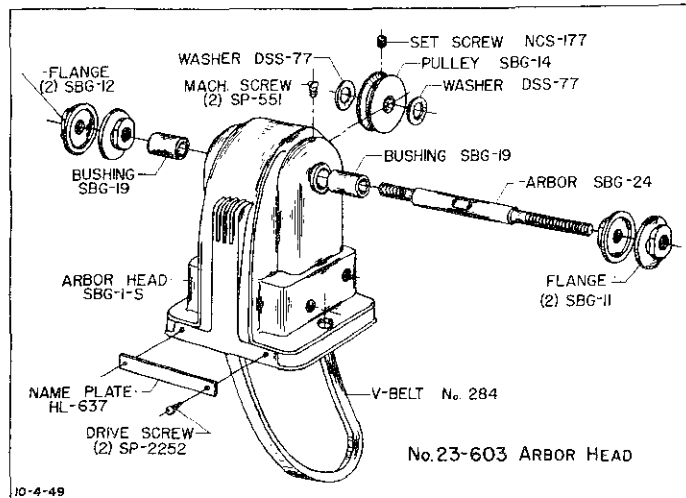
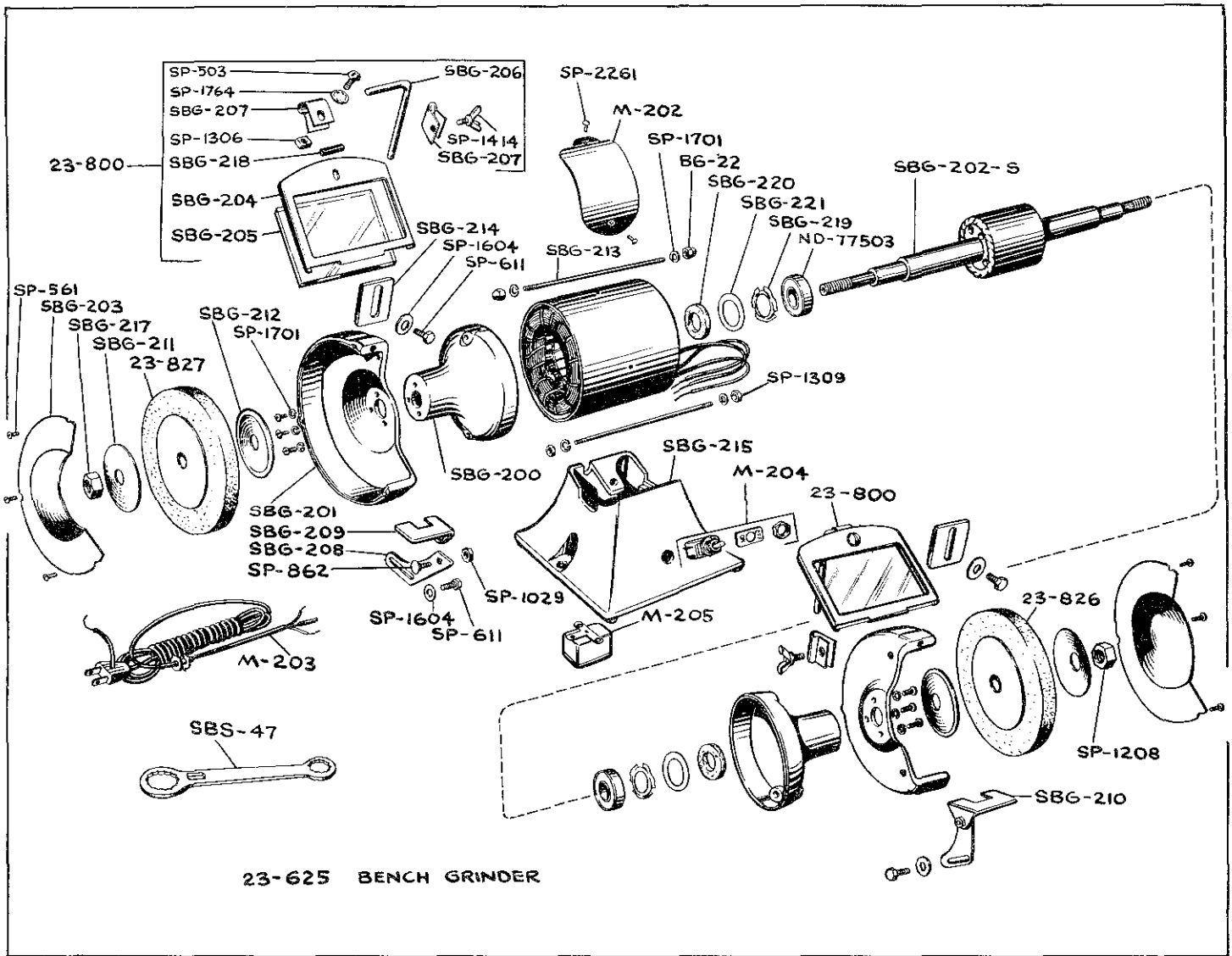
| | |
|--------|--|
| CANADA | CALGARY, ALBERTA - Can. Westinghouse Co., Ltd., 320 8th Ave. (West Calgary) BRITISH COLUMBIA, VANCOUVER - Can. Westinghouse Co., Ltd., 1090 Homer St. SWASTIKA, ONTARIO - Can. Westinghouse Co., Ltd. MONTREAL, QUEBEC - Can. Westinghouse Co., Ltd., 1844 William Street SASKATCHEWAN, REGINA - Can. Westinghouse Co., Ltd., 2408 11th Avenue |
|--------|--|

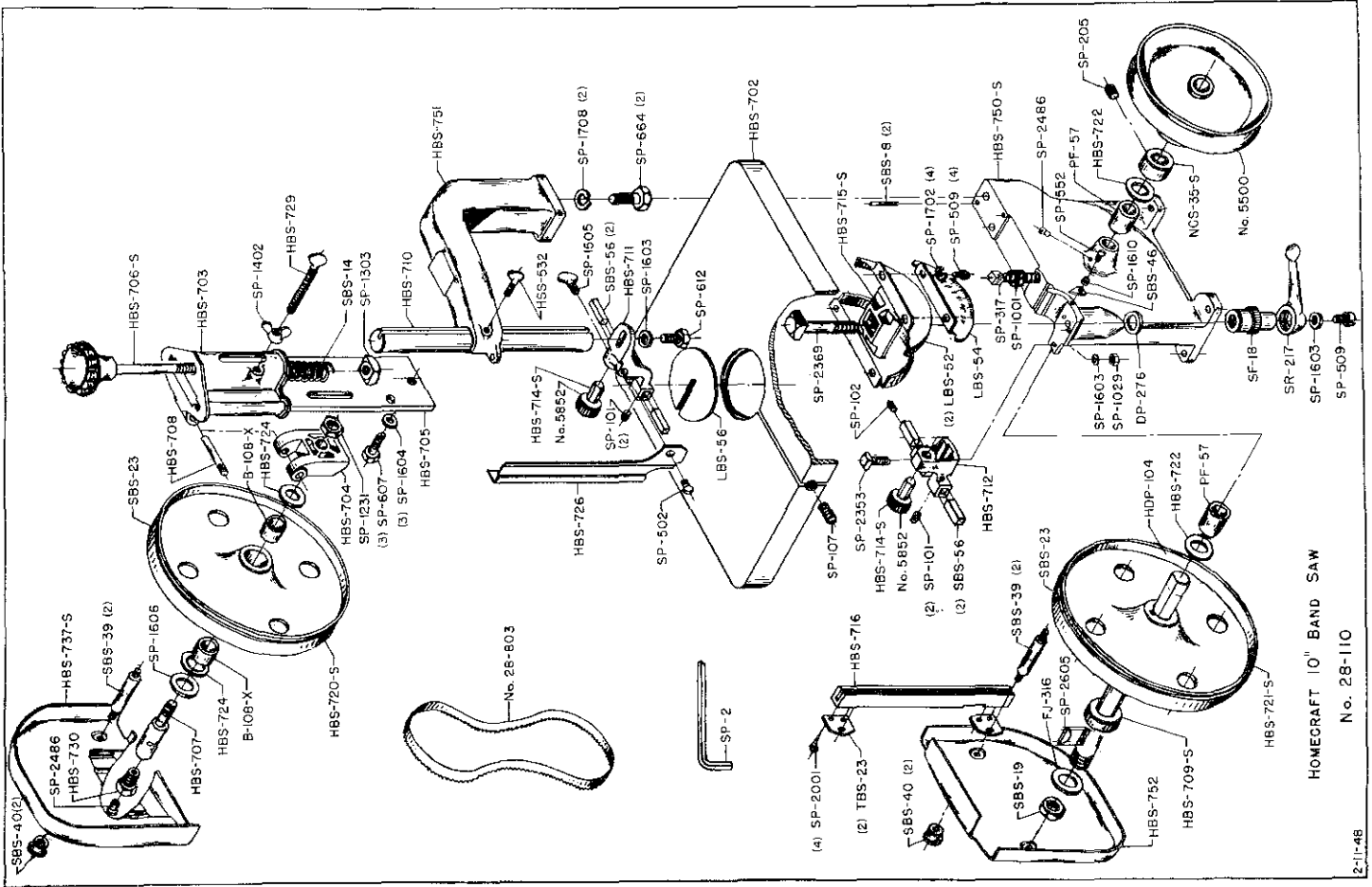
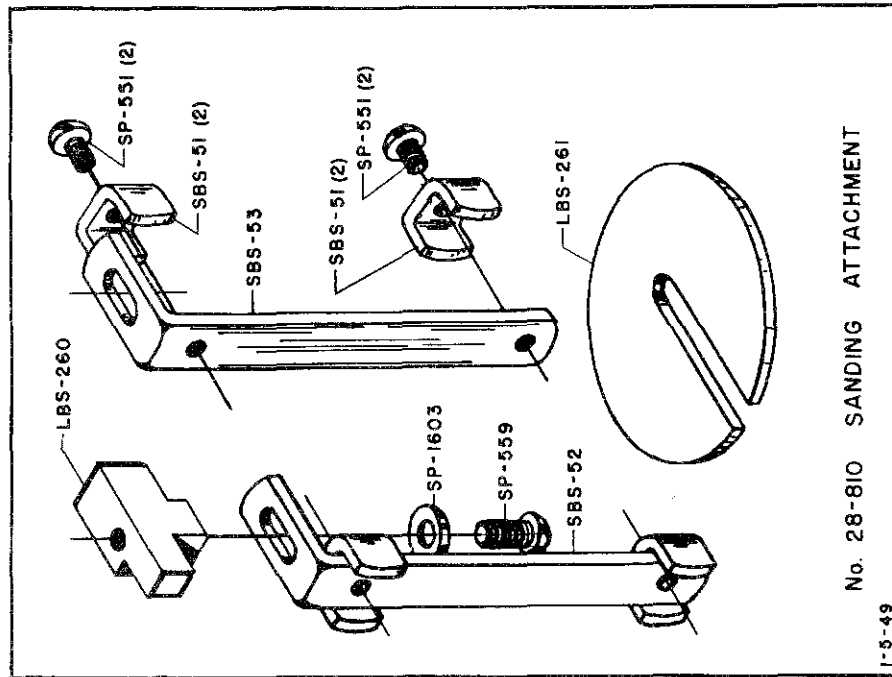
WESTINGHOUSE MOTOR FACTORY - LIMA, OHIO

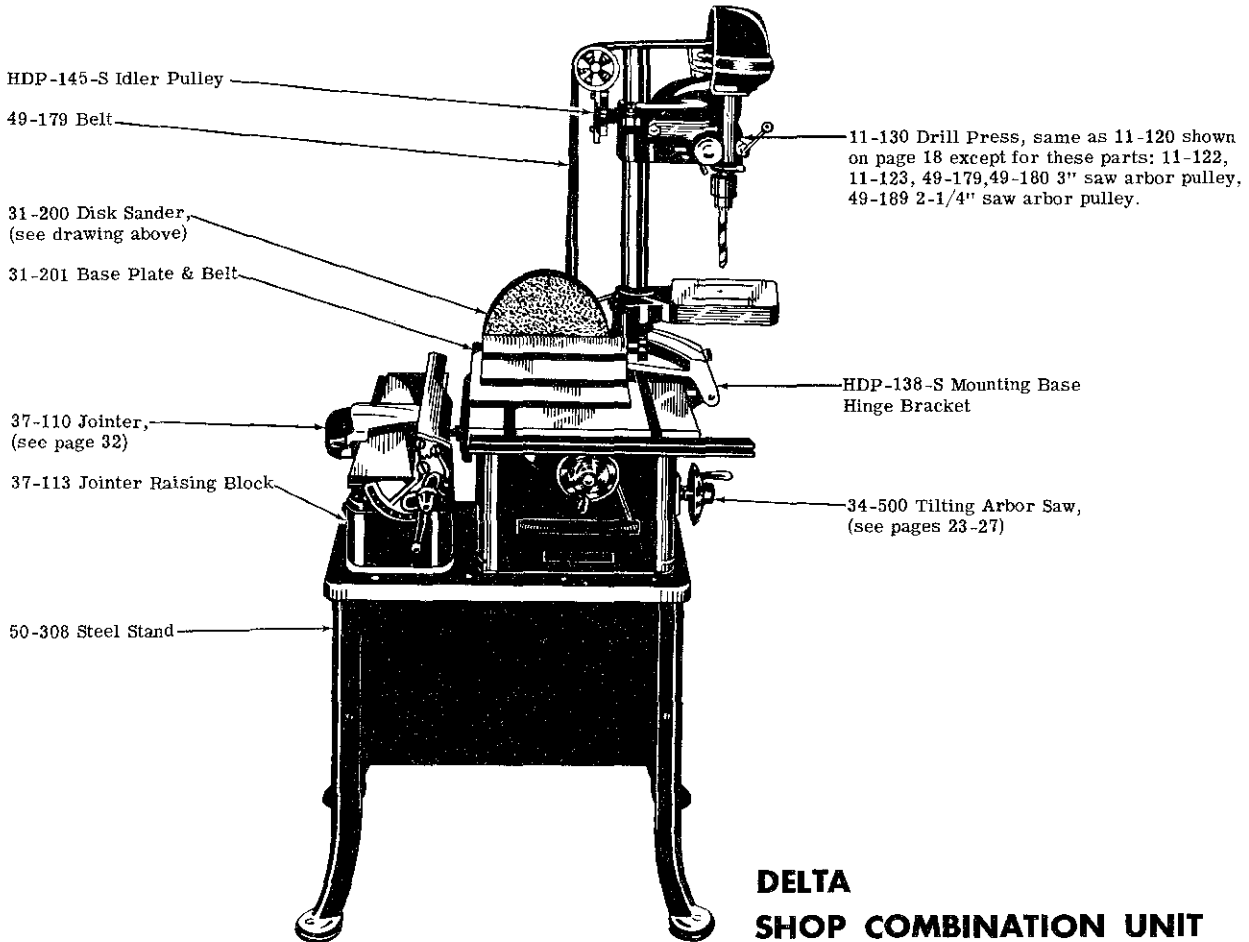
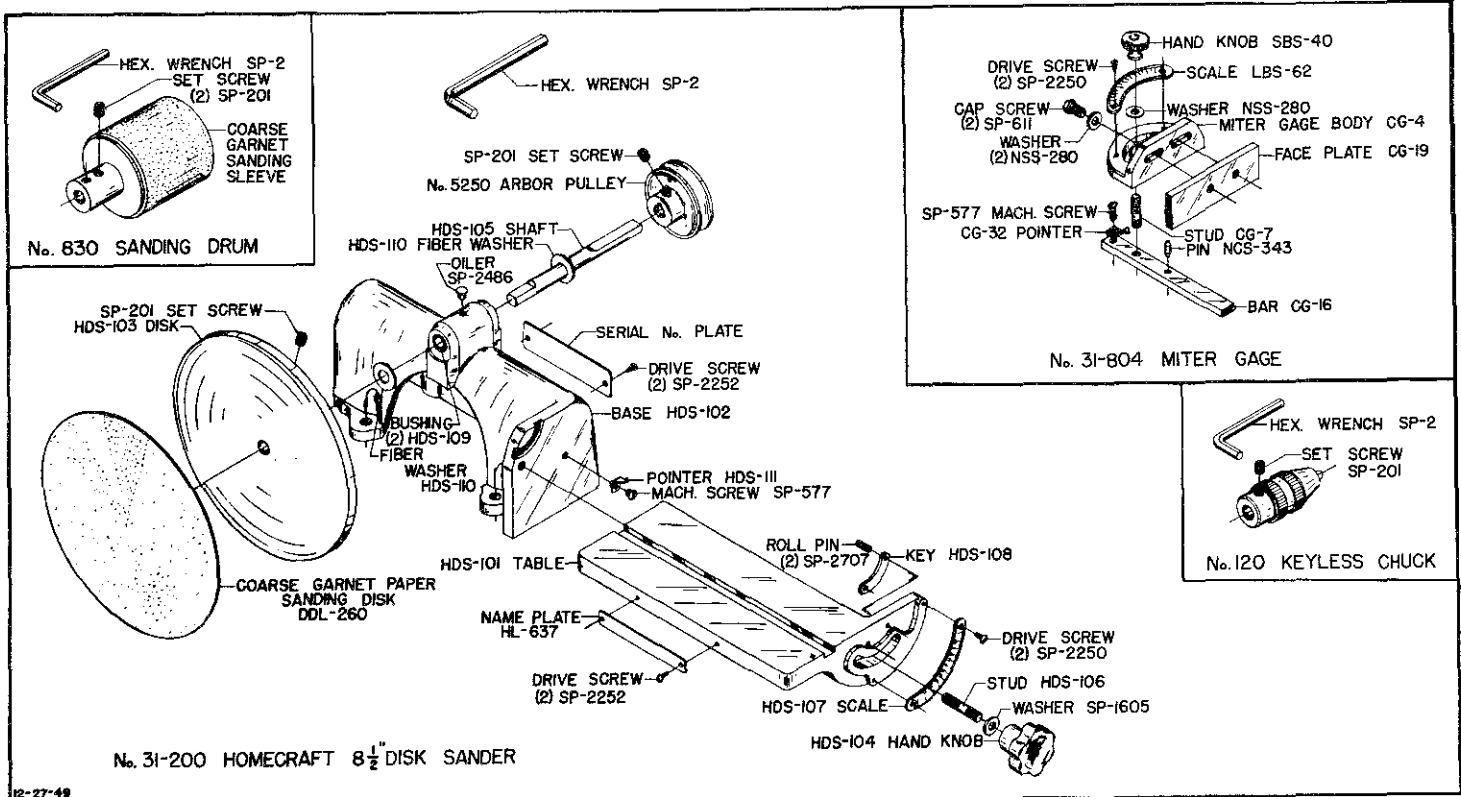


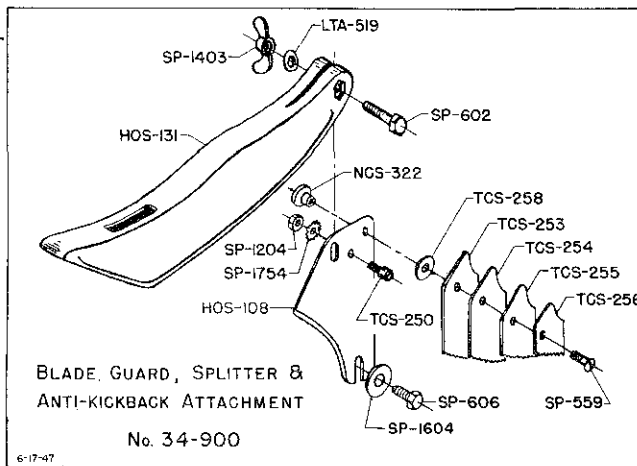
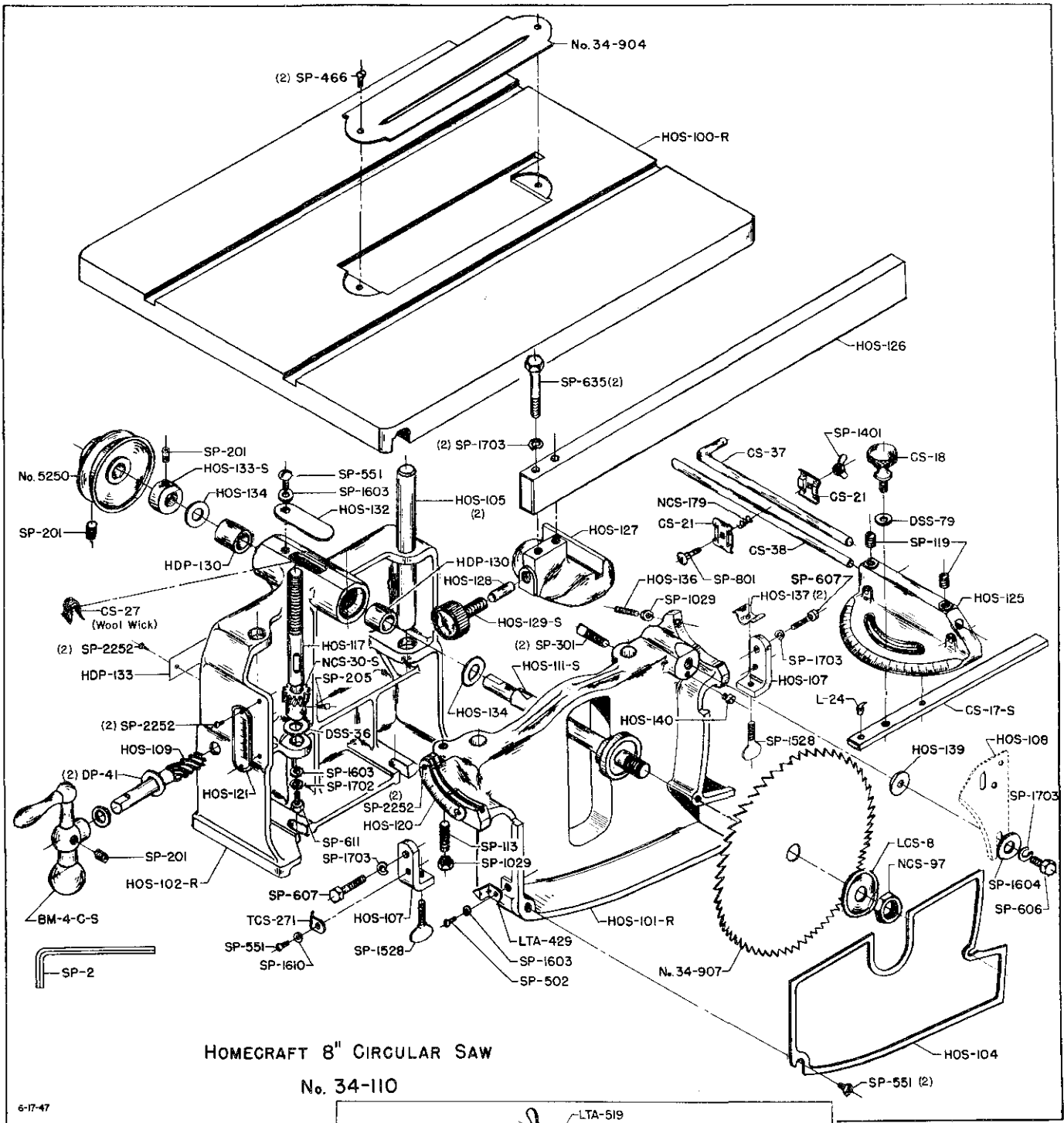
See shaper drawing for 982 shaper fence.

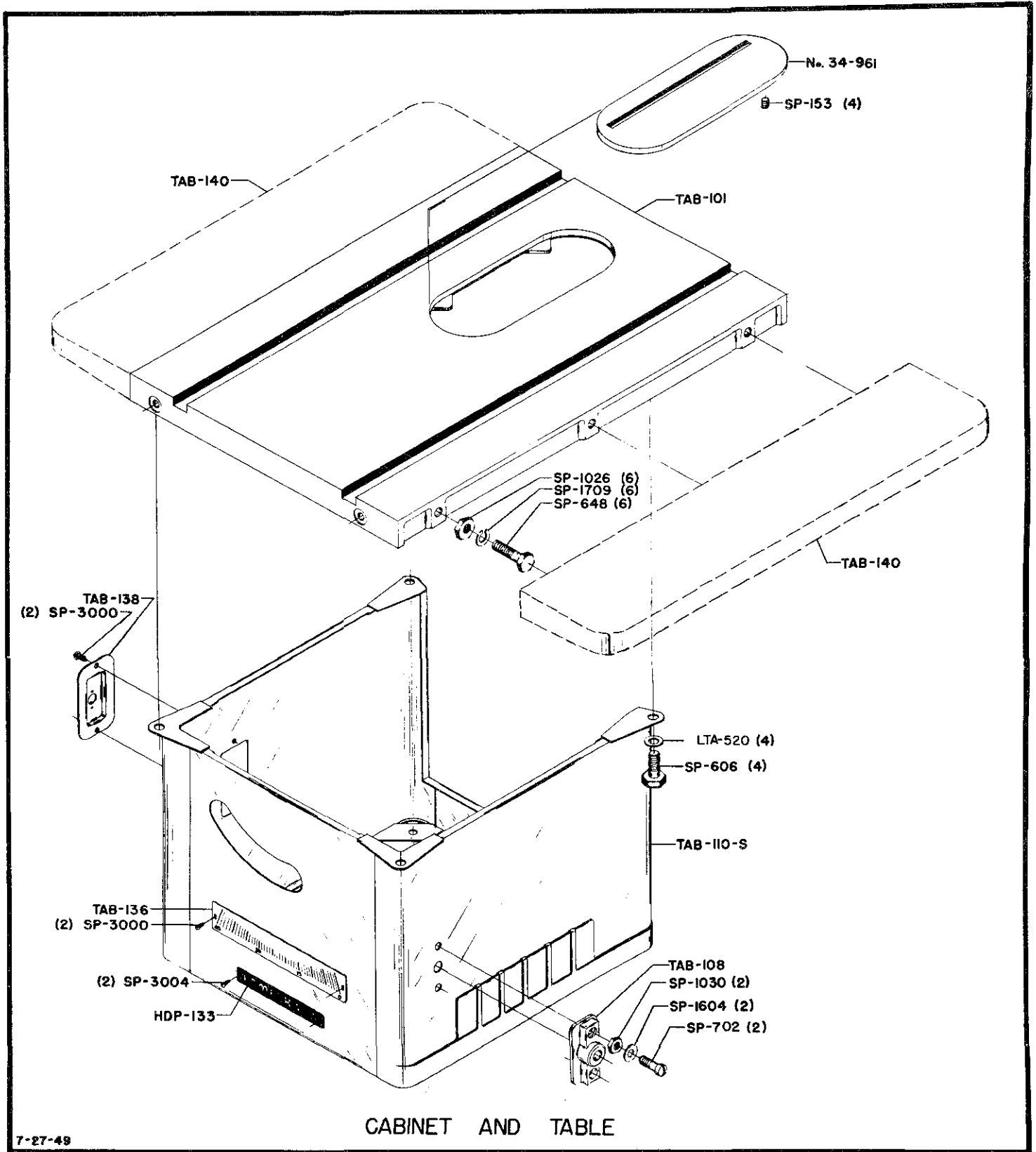




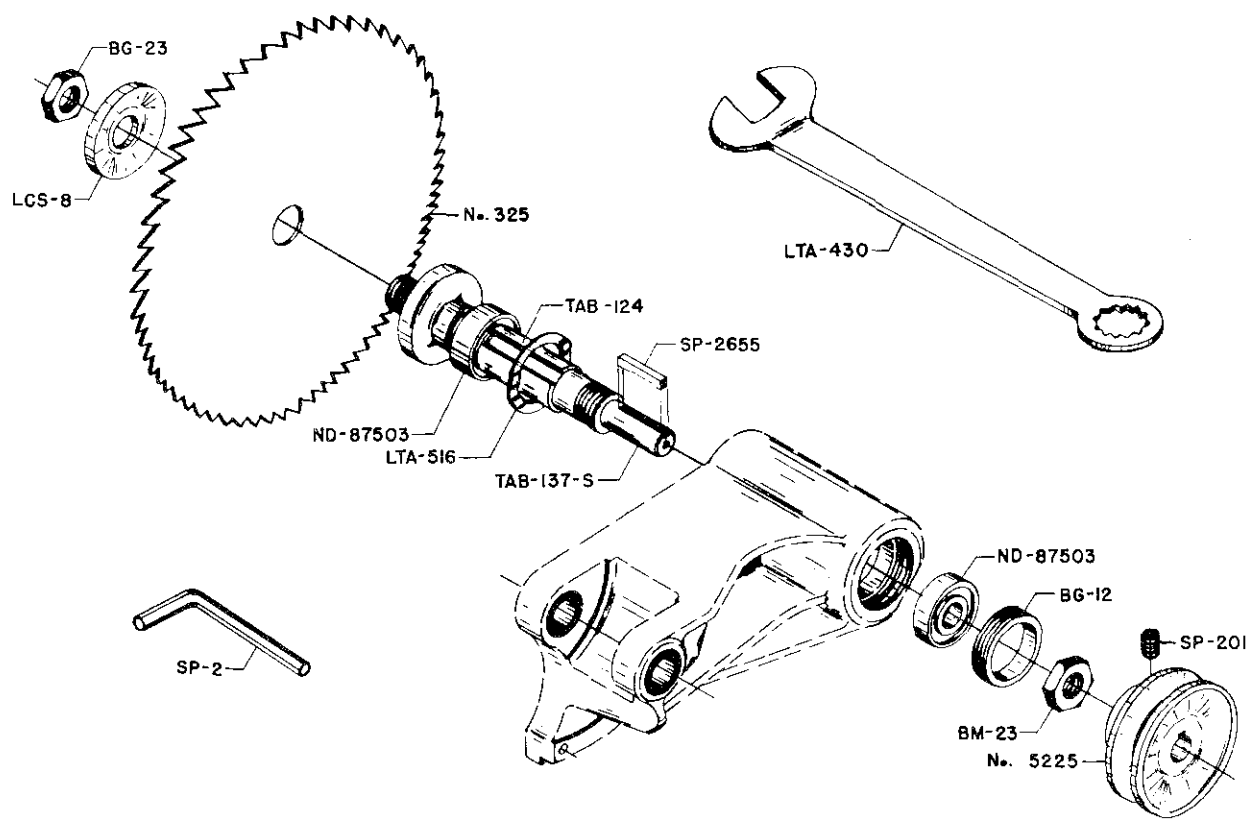
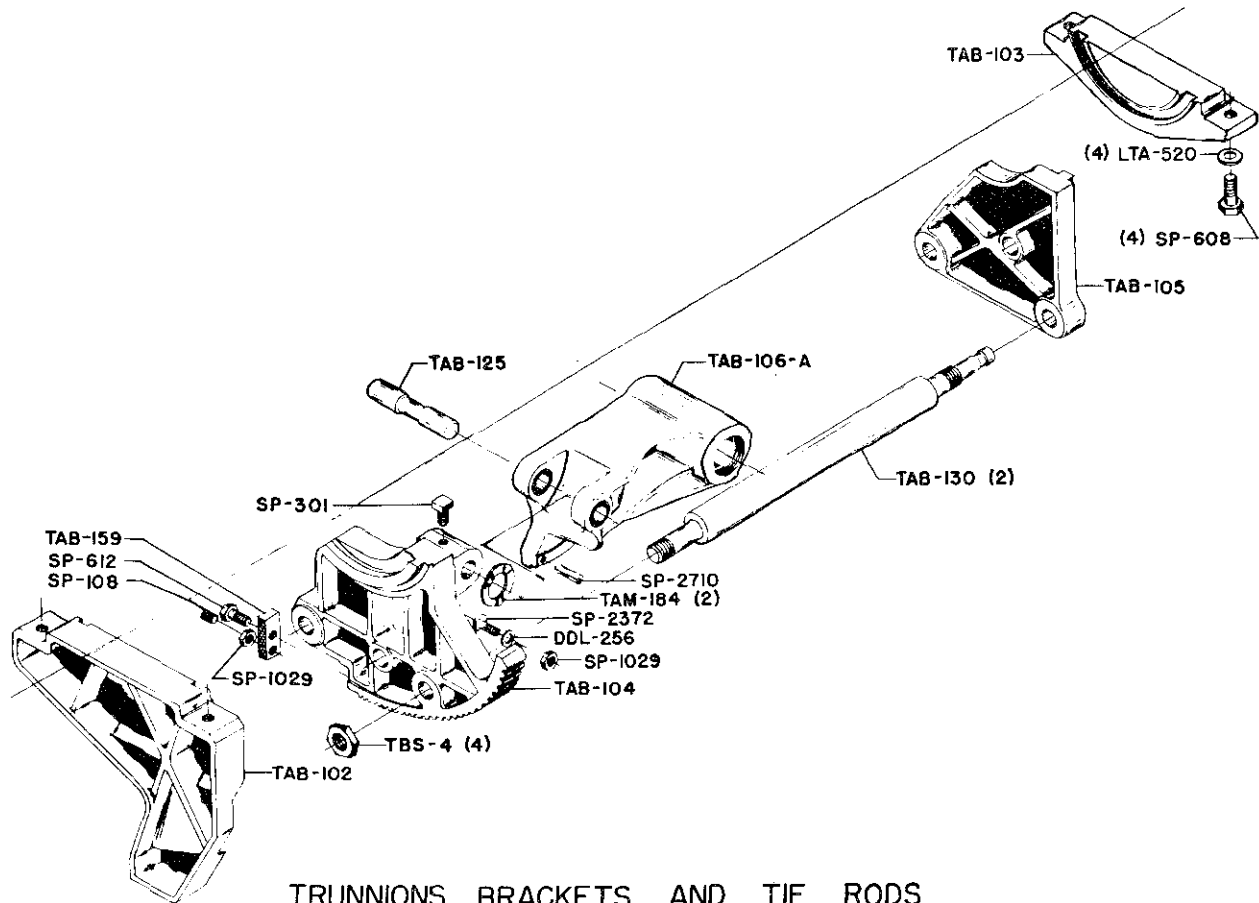


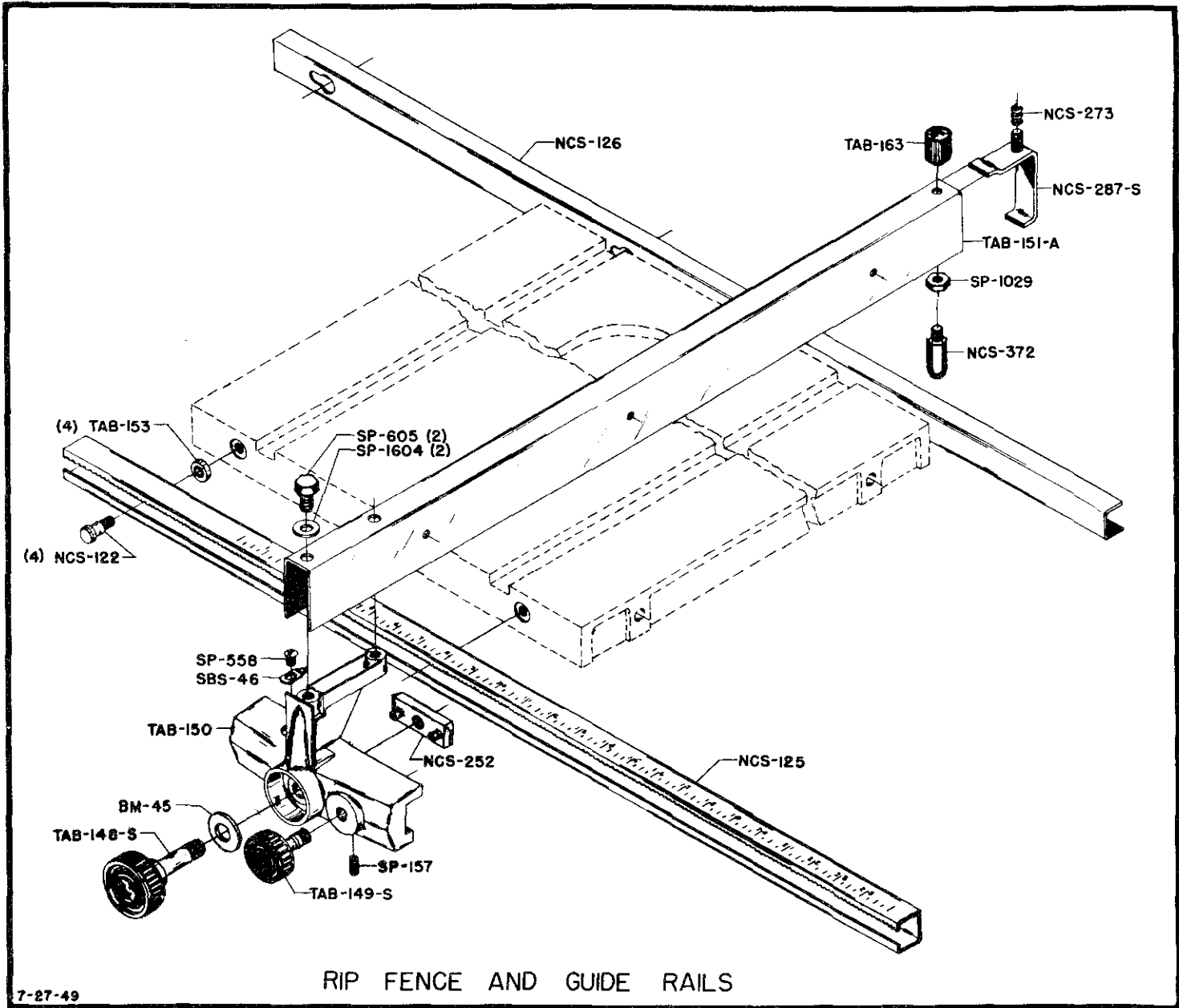






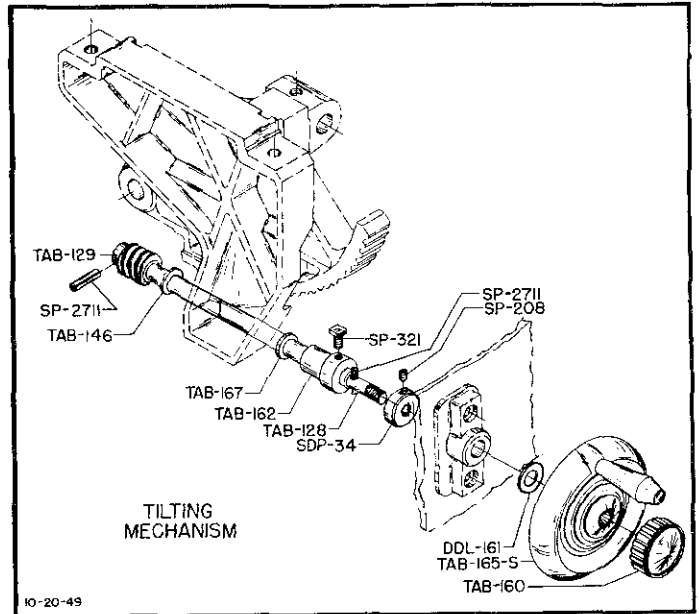
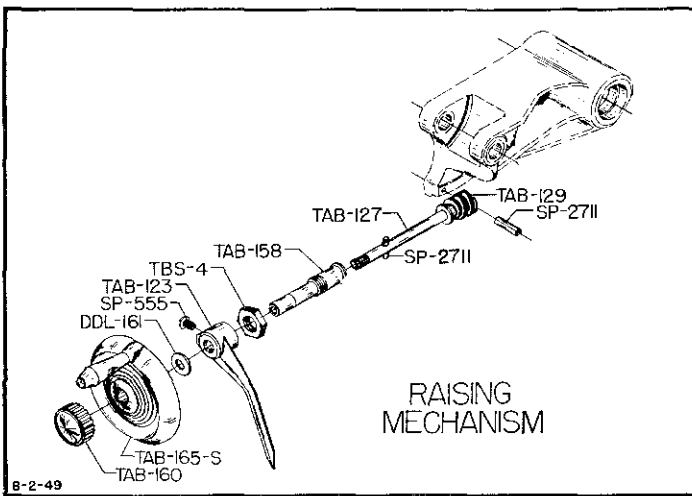
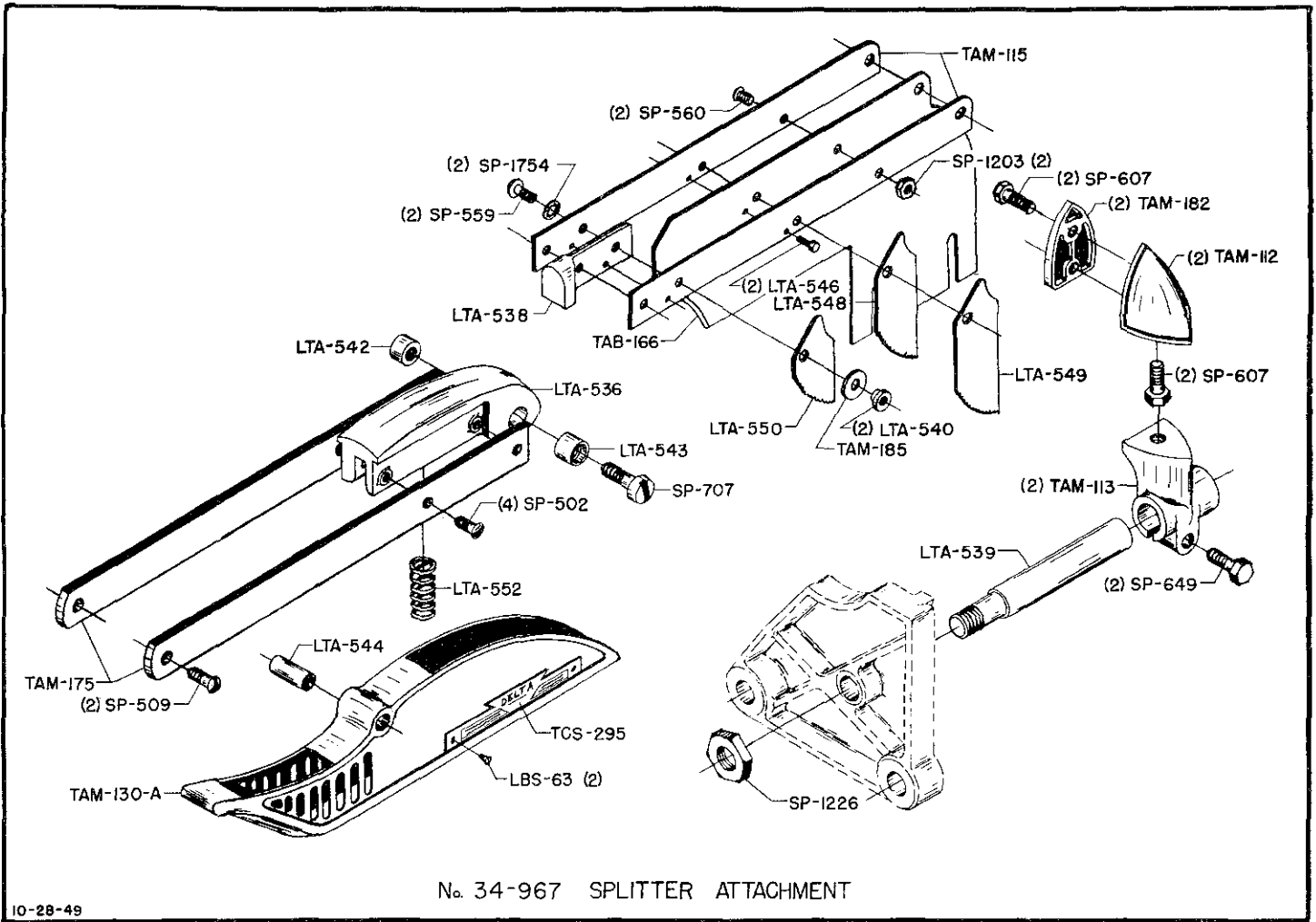
8" Bench model tilting arbor saw No. 34-500

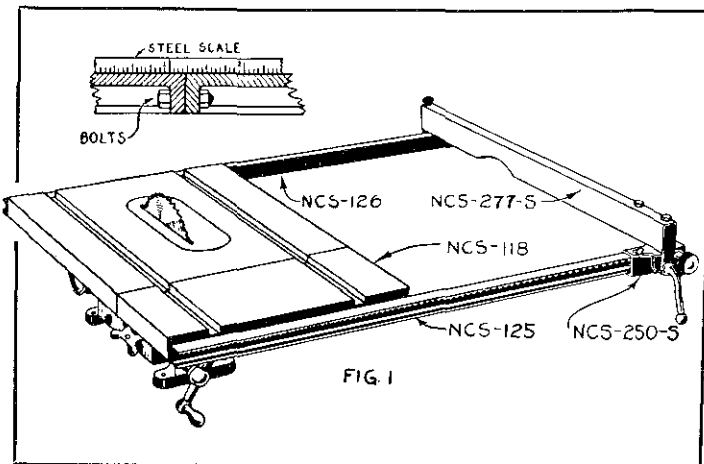
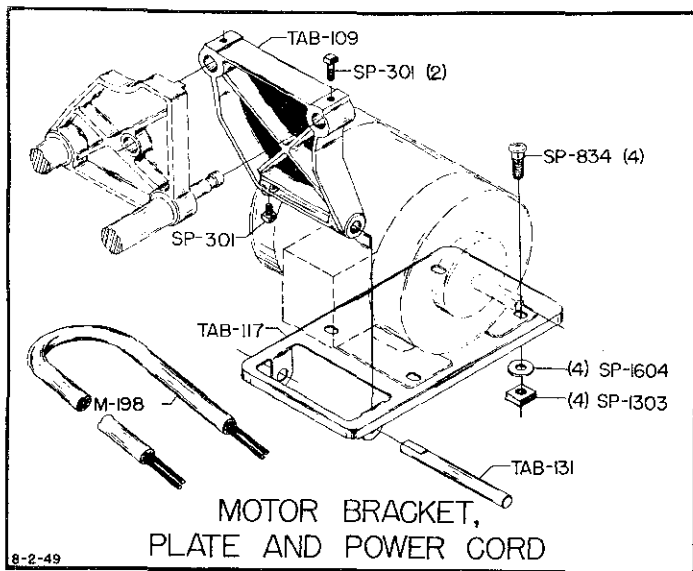
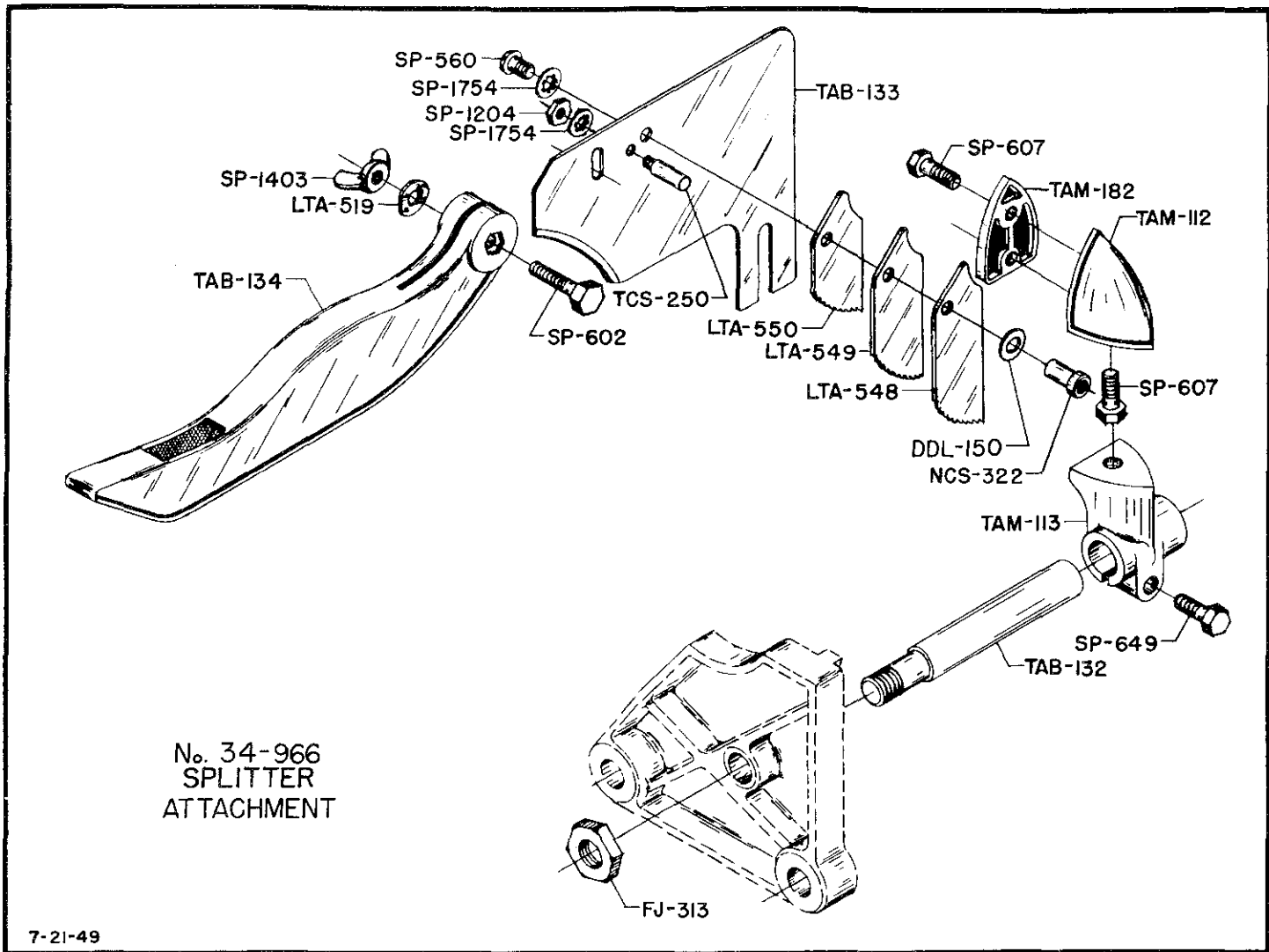


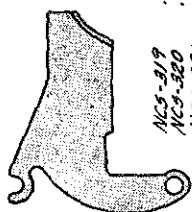
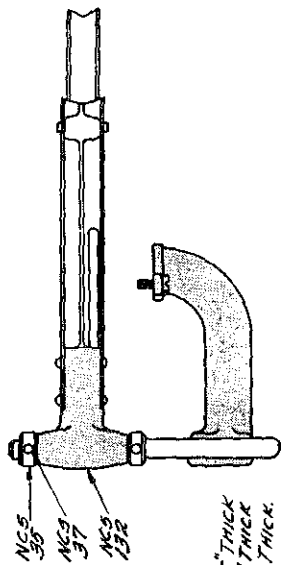


RIP FENCE AND GUIDE RAILS

7-27-49

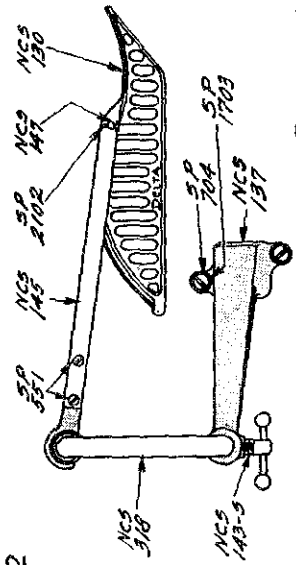




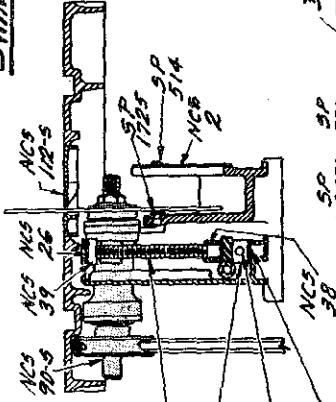


.0625" THICK
.0781" THICK
.109" THICK

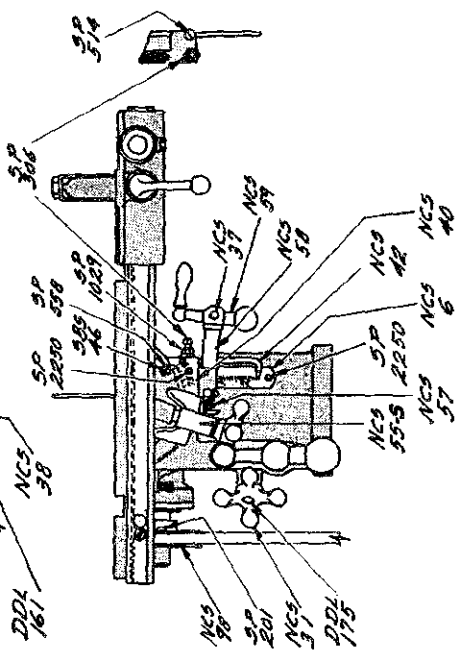
SPLITTER GUARD



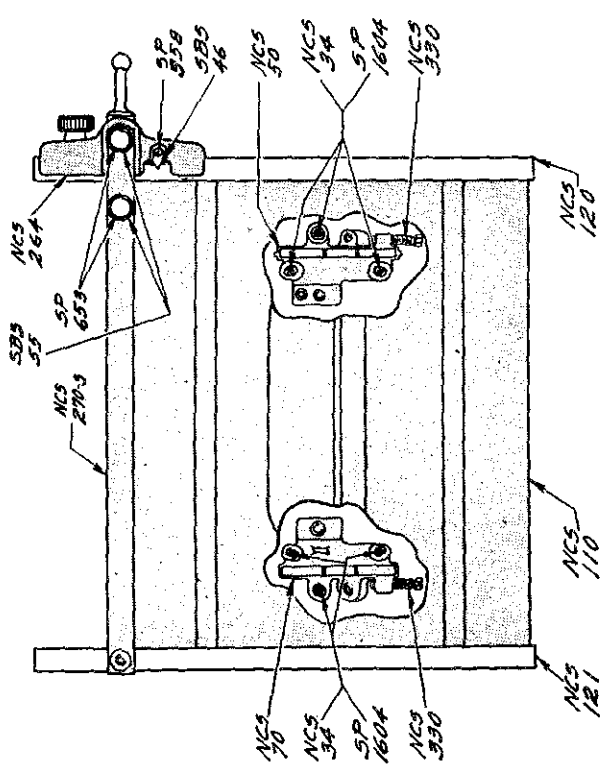
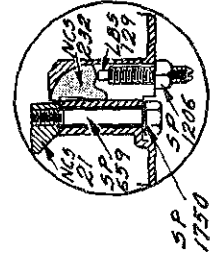
SWING GUARD PARTS



SECTION SHOWING FRONT GIB AND PIN

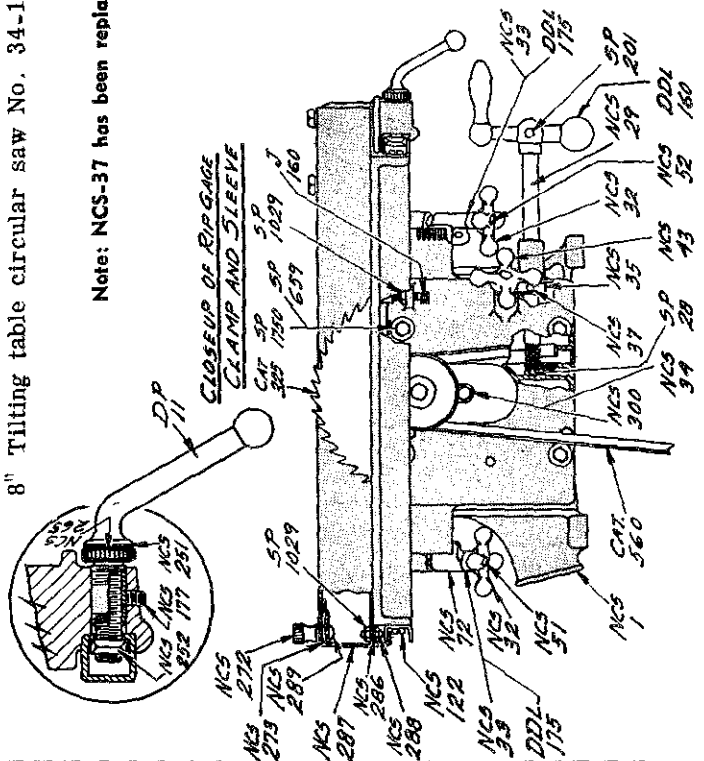


CLOSEUP OF WEDGE FOR GIB ADJUSTMENT

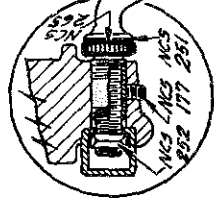


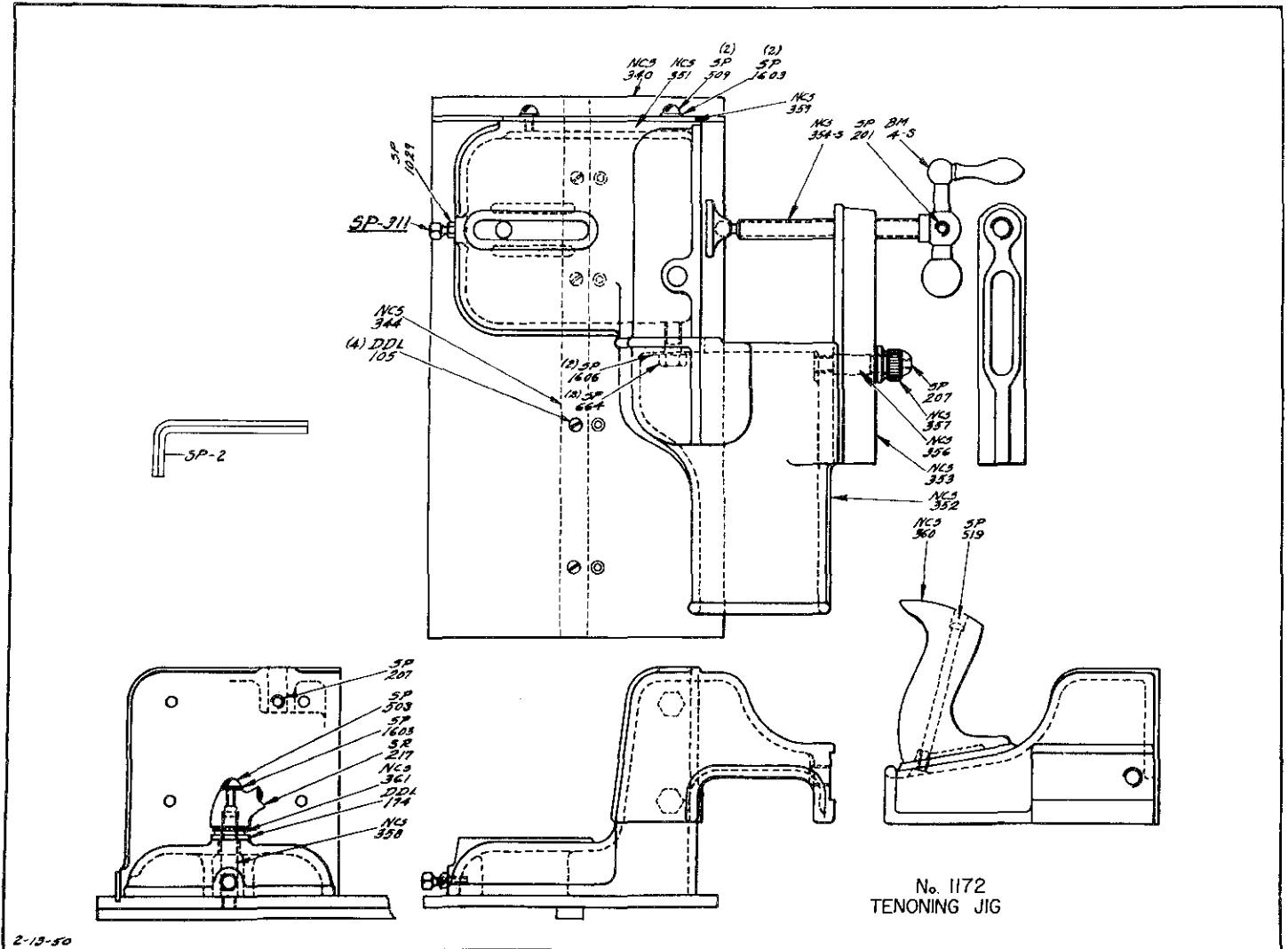
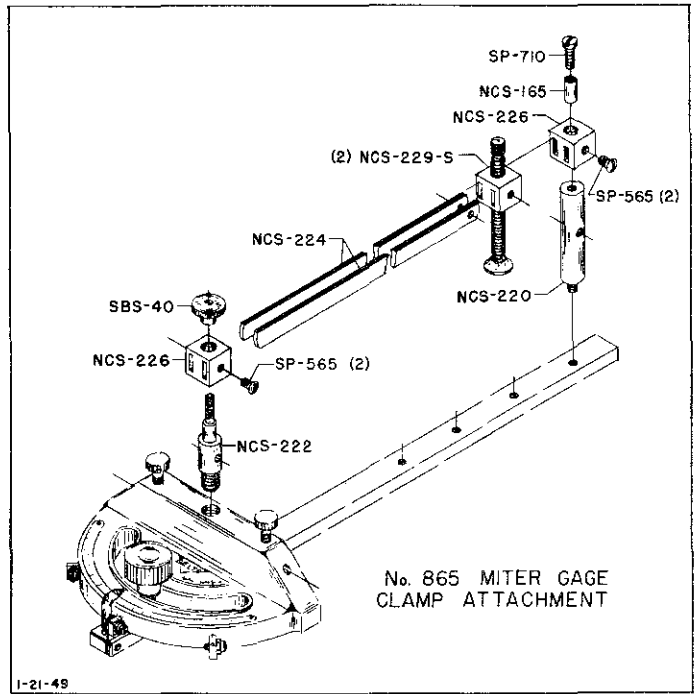
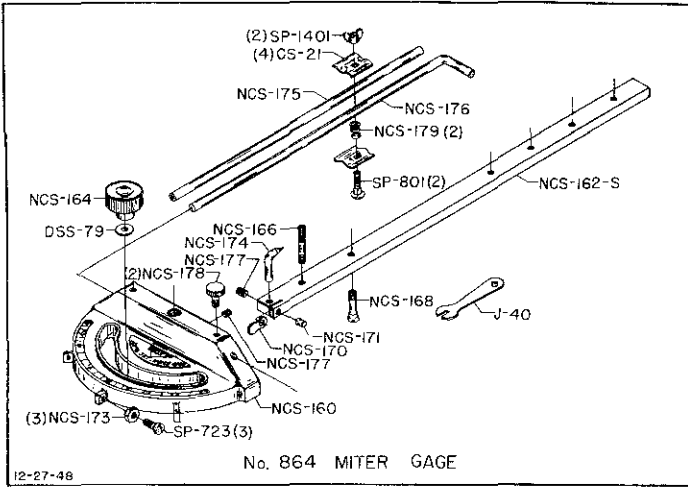
8" Tilting table circular saw No. 34-160

Note: NCS-37 has been replaced by SP-225.

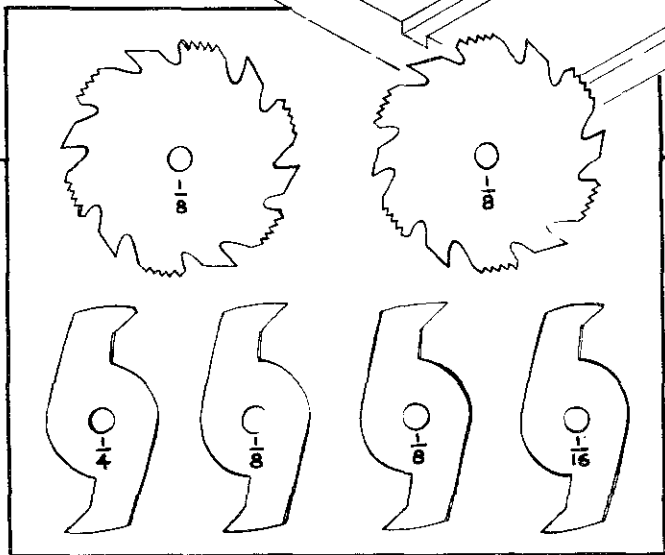
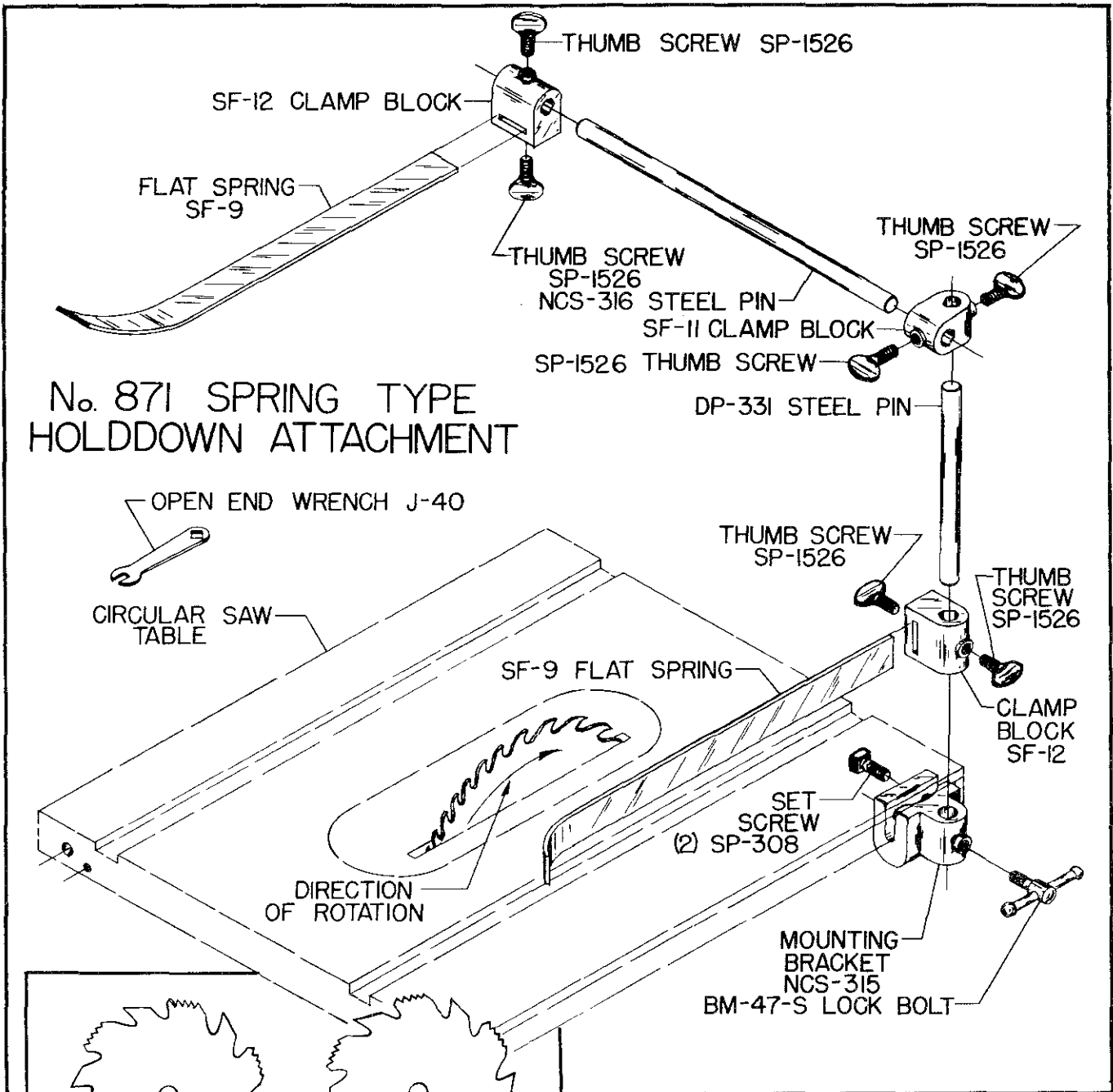


CLOSEUP OF RIFLE CLAMP AND SLEEVE



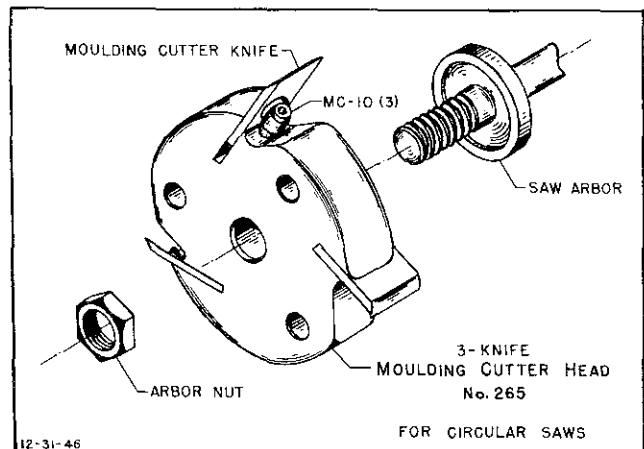


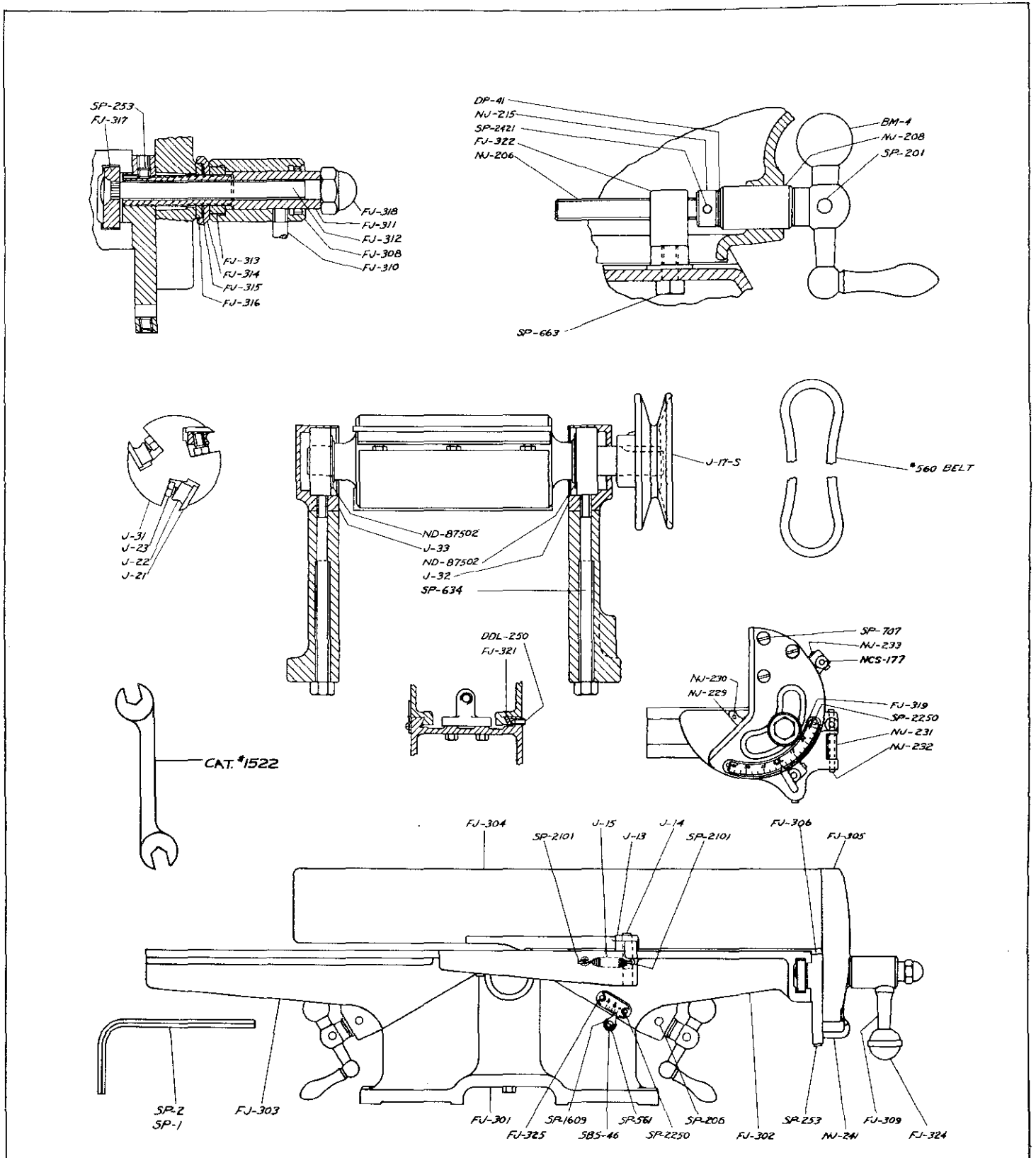
No. 871 SPRING TYPE HOLDDOWN ATTACHMENT



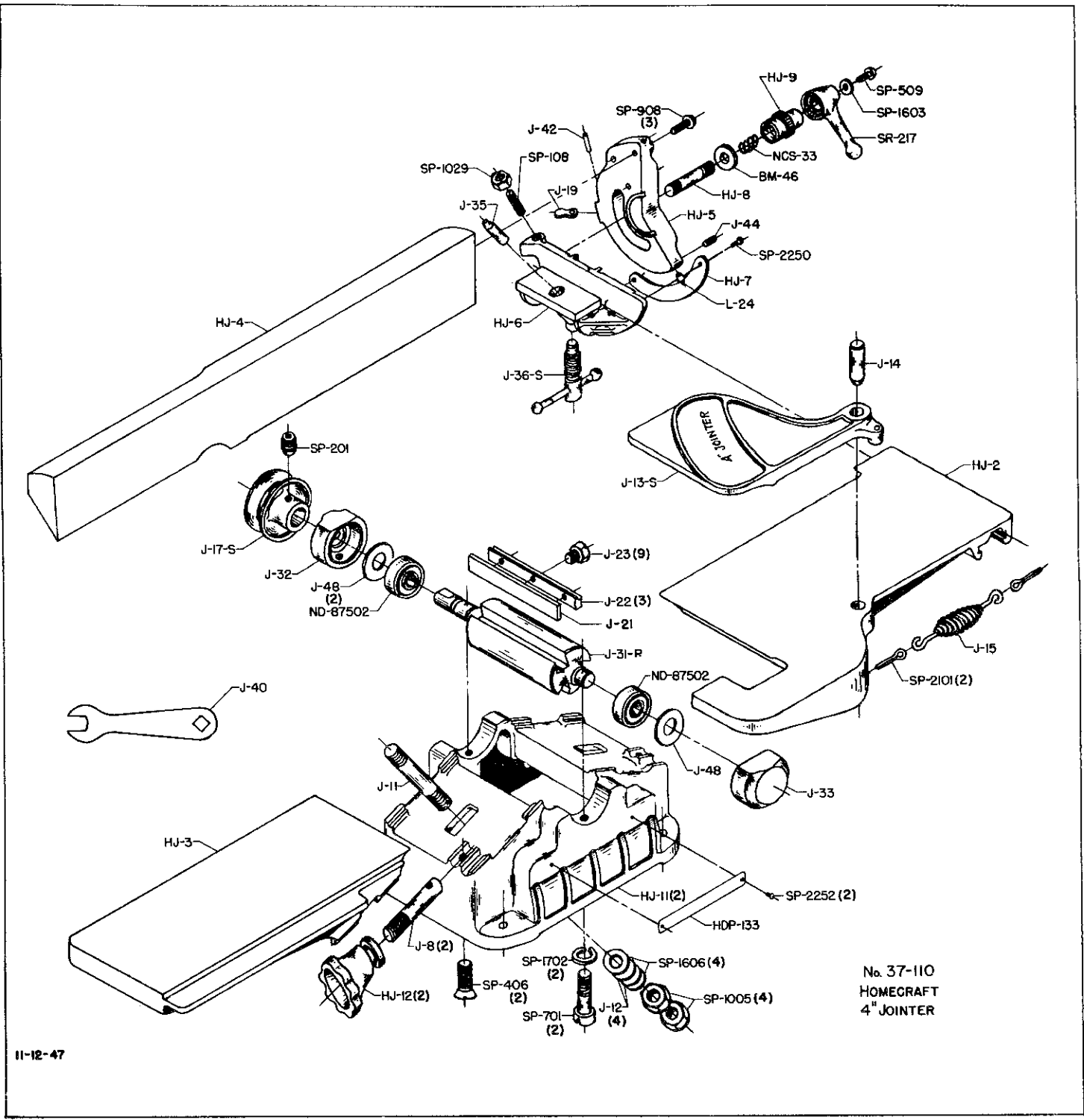
Dado Head No. 333

- LTA-555 6" outside saw, 1/8" thick
- LTA-556 6" inside cutter, 1/4" thick
- LTA-557 6" inside cutter, 1/8" thick
- LTA-558 6" inside cutter, 1/16" thick



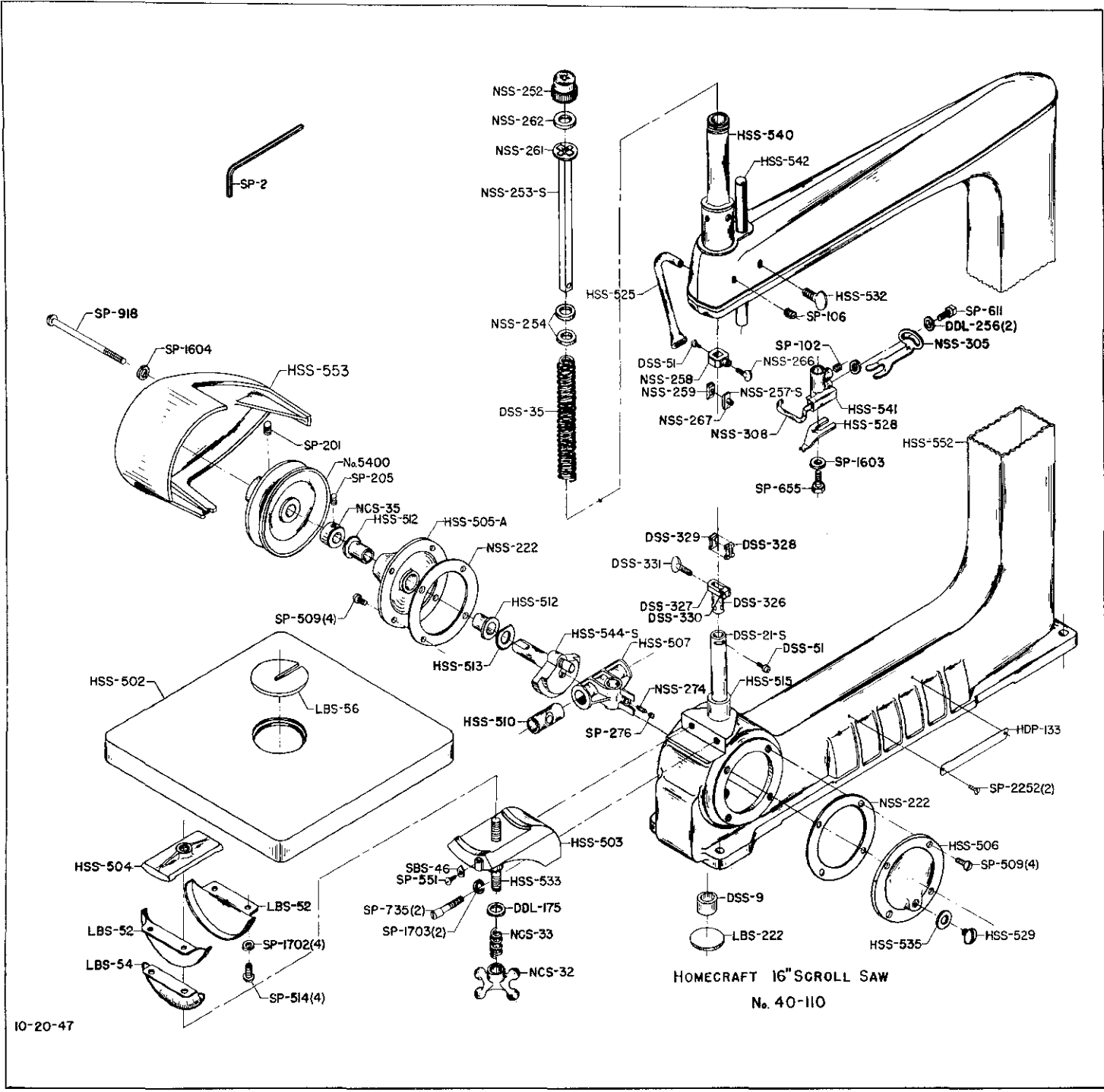


4" Jointer No. 37-290

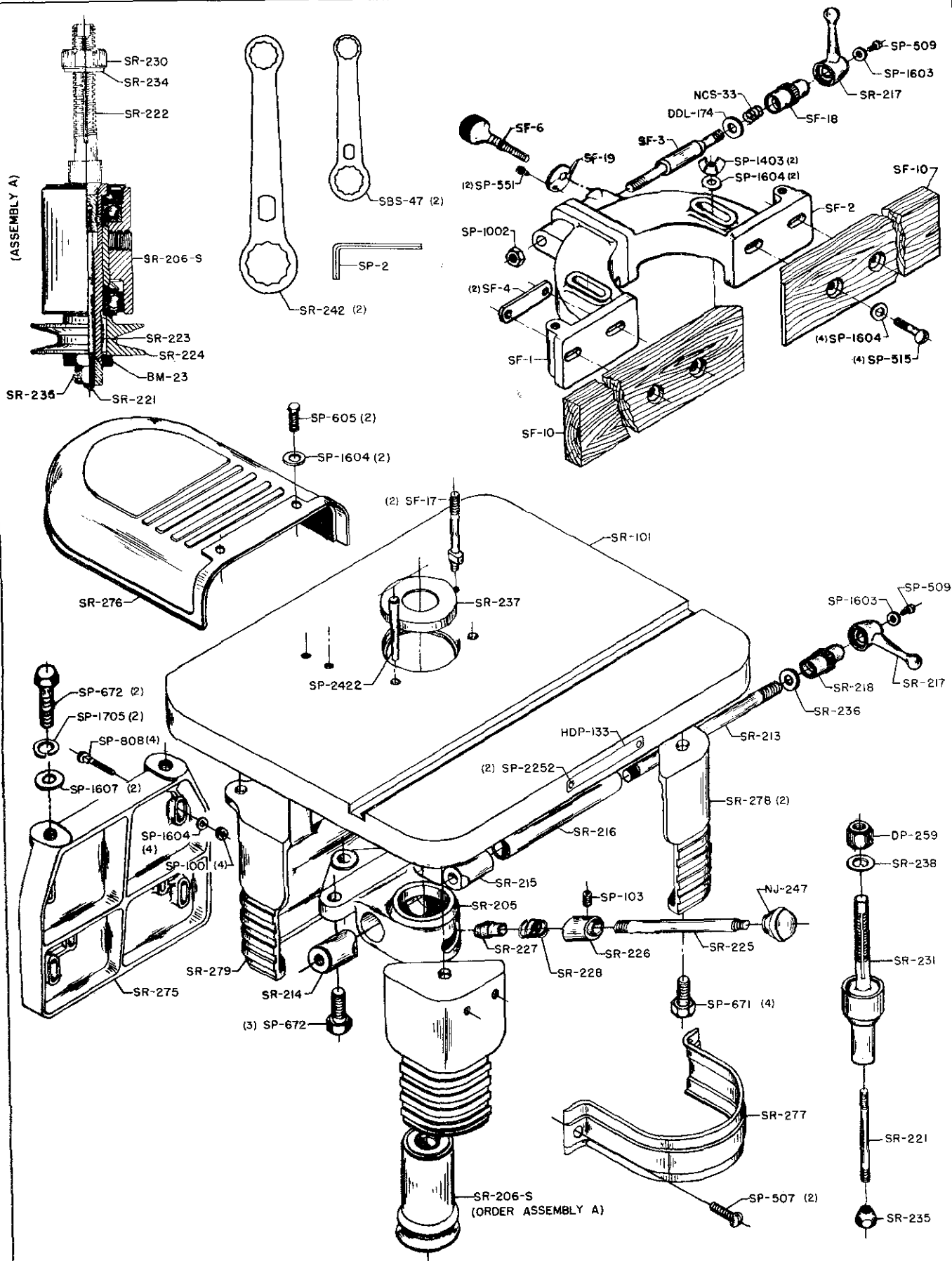


11-12-47

No. 37-110
HOME-CRAFT
4" JOINTER

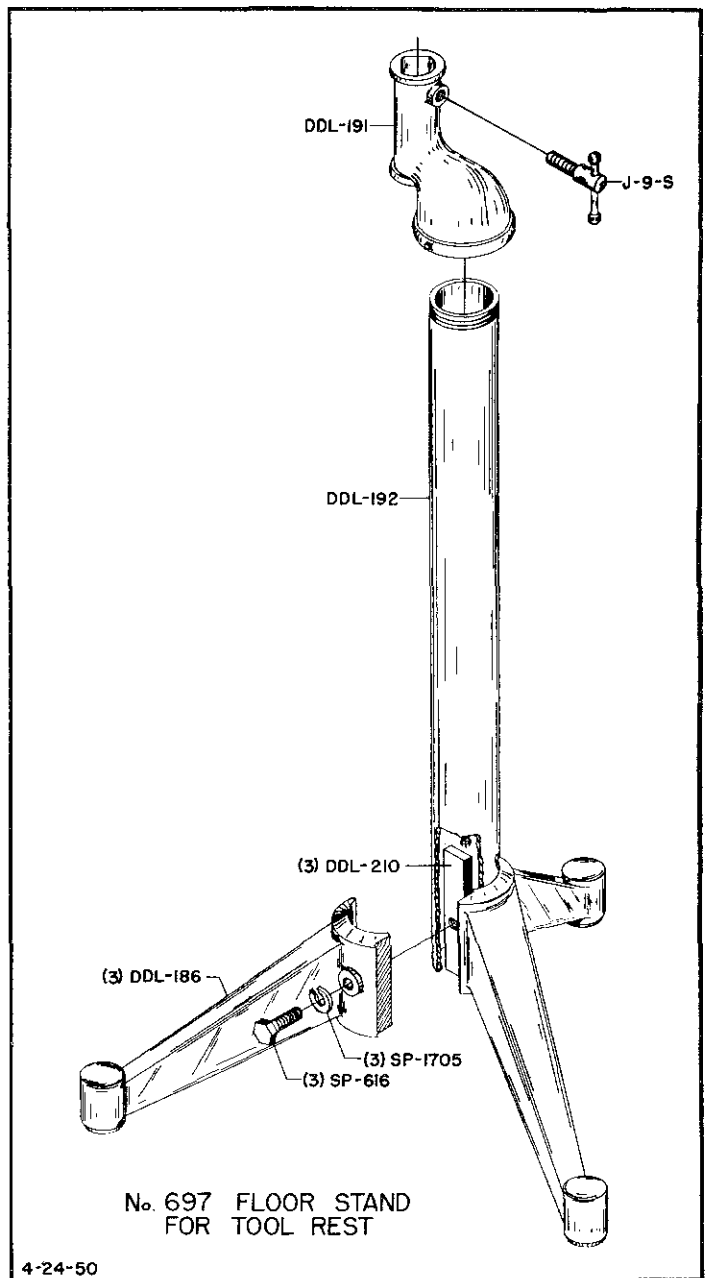
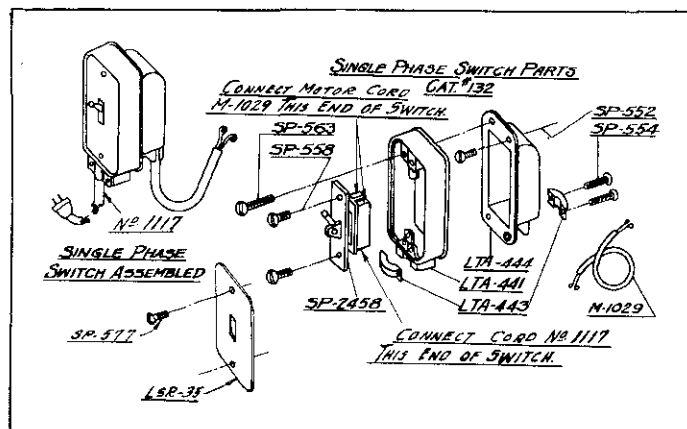
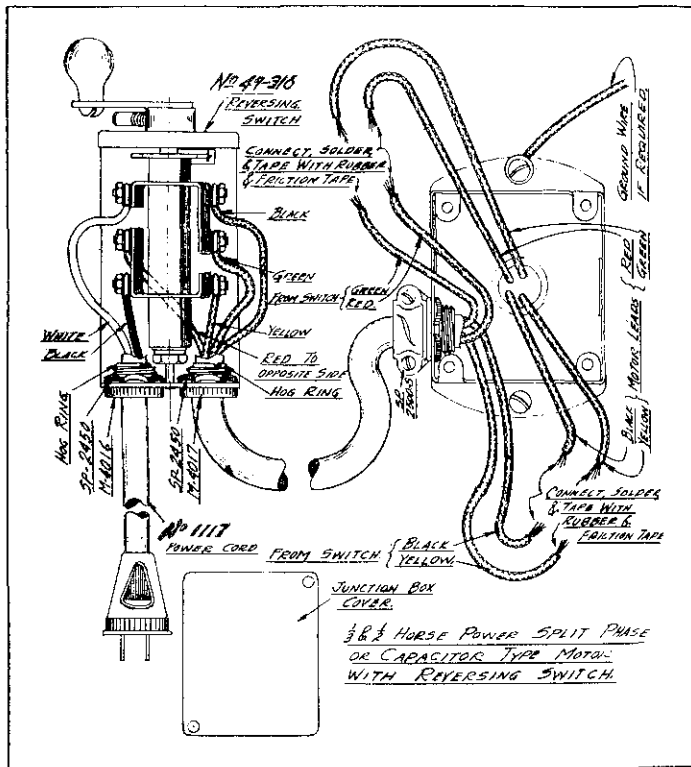


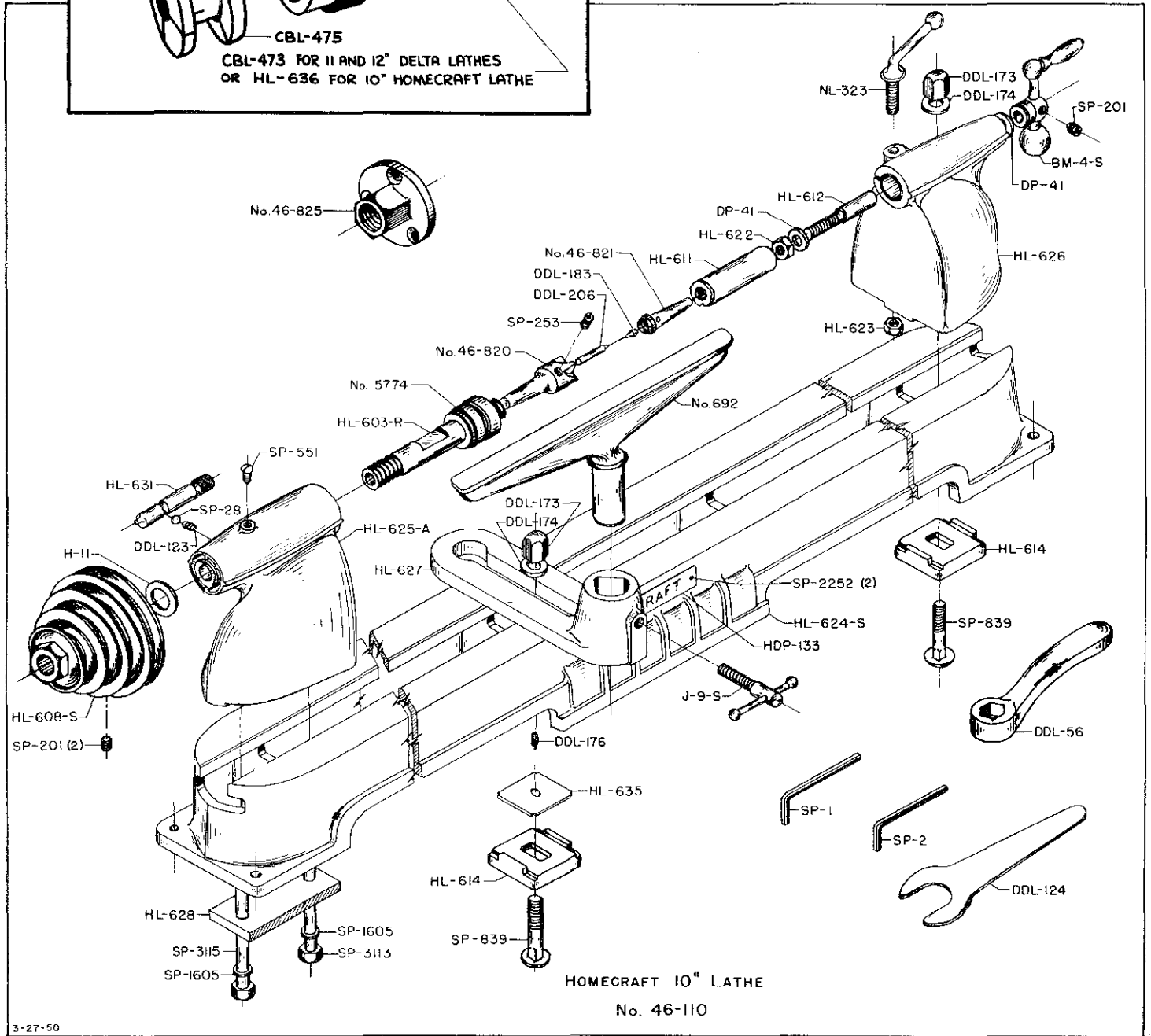
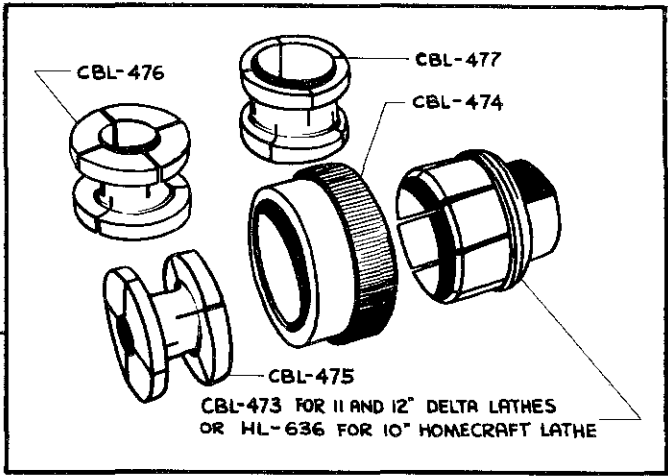
10-20-47



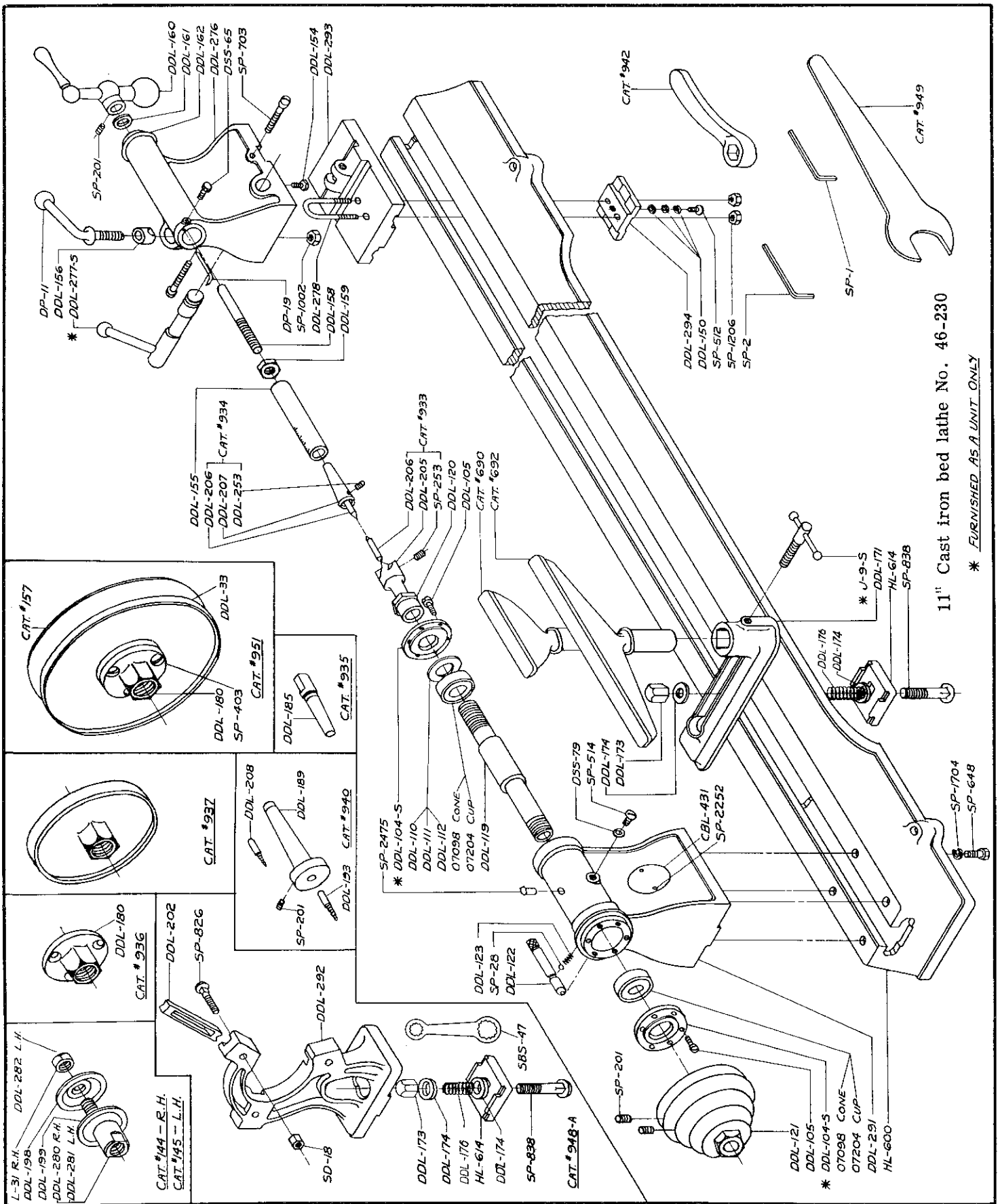
Homecraft Shaper No. 43-110

10-15-48



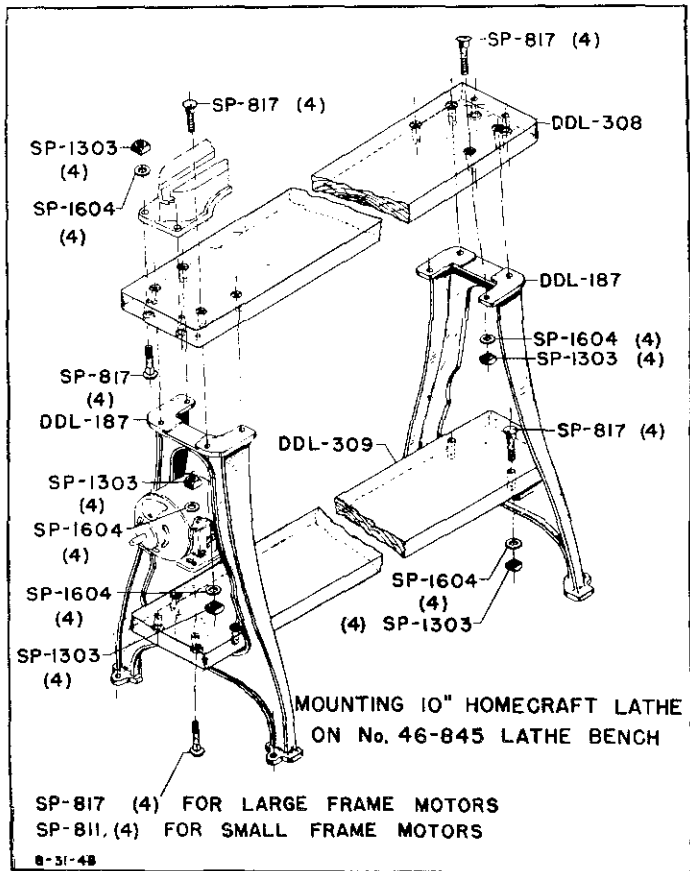
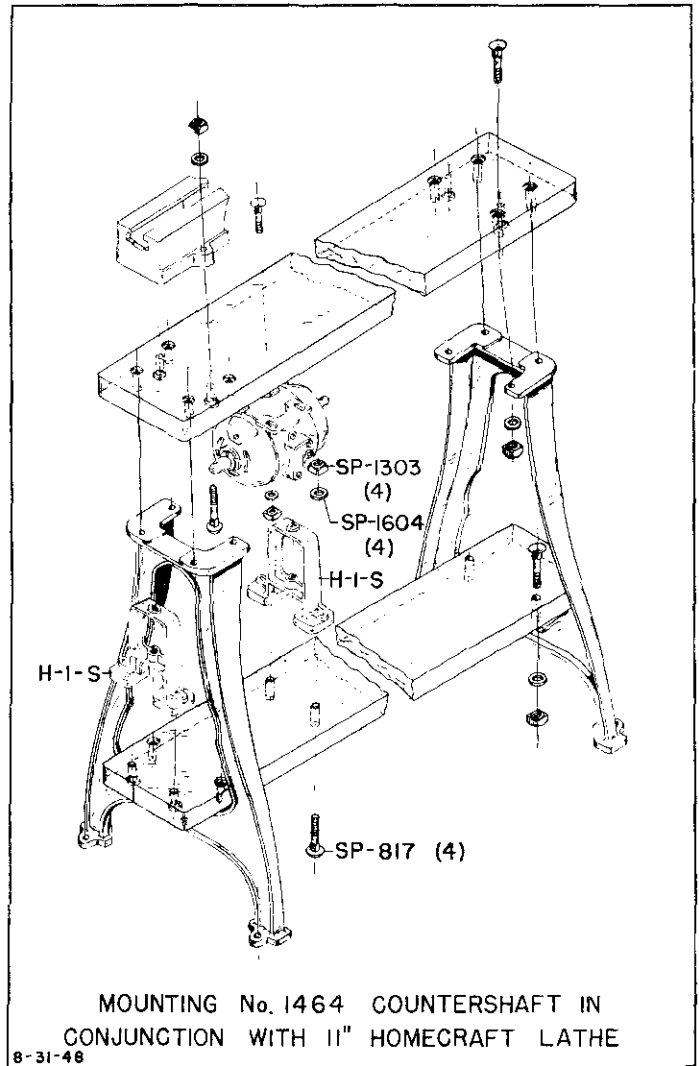
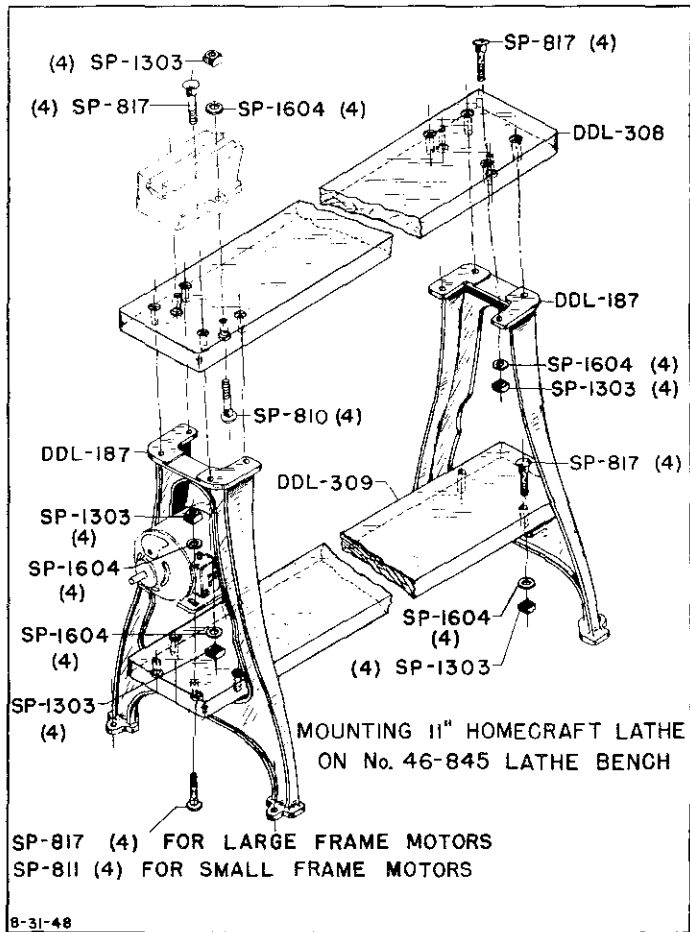


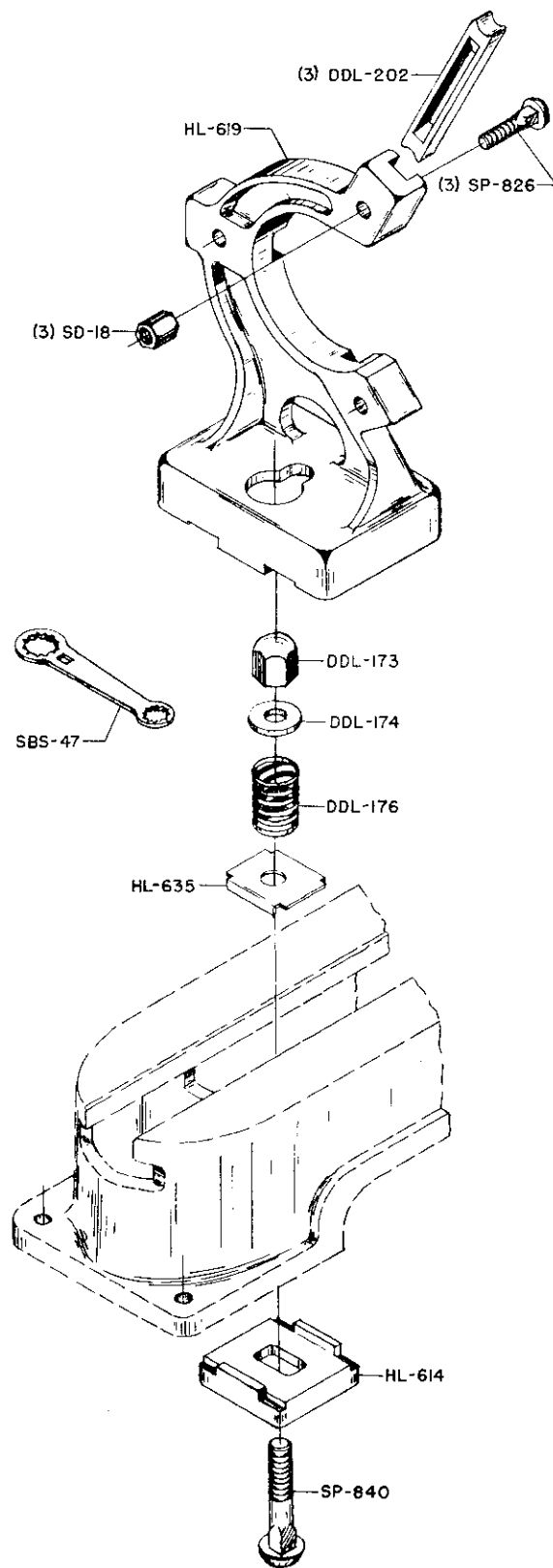
3-27-50



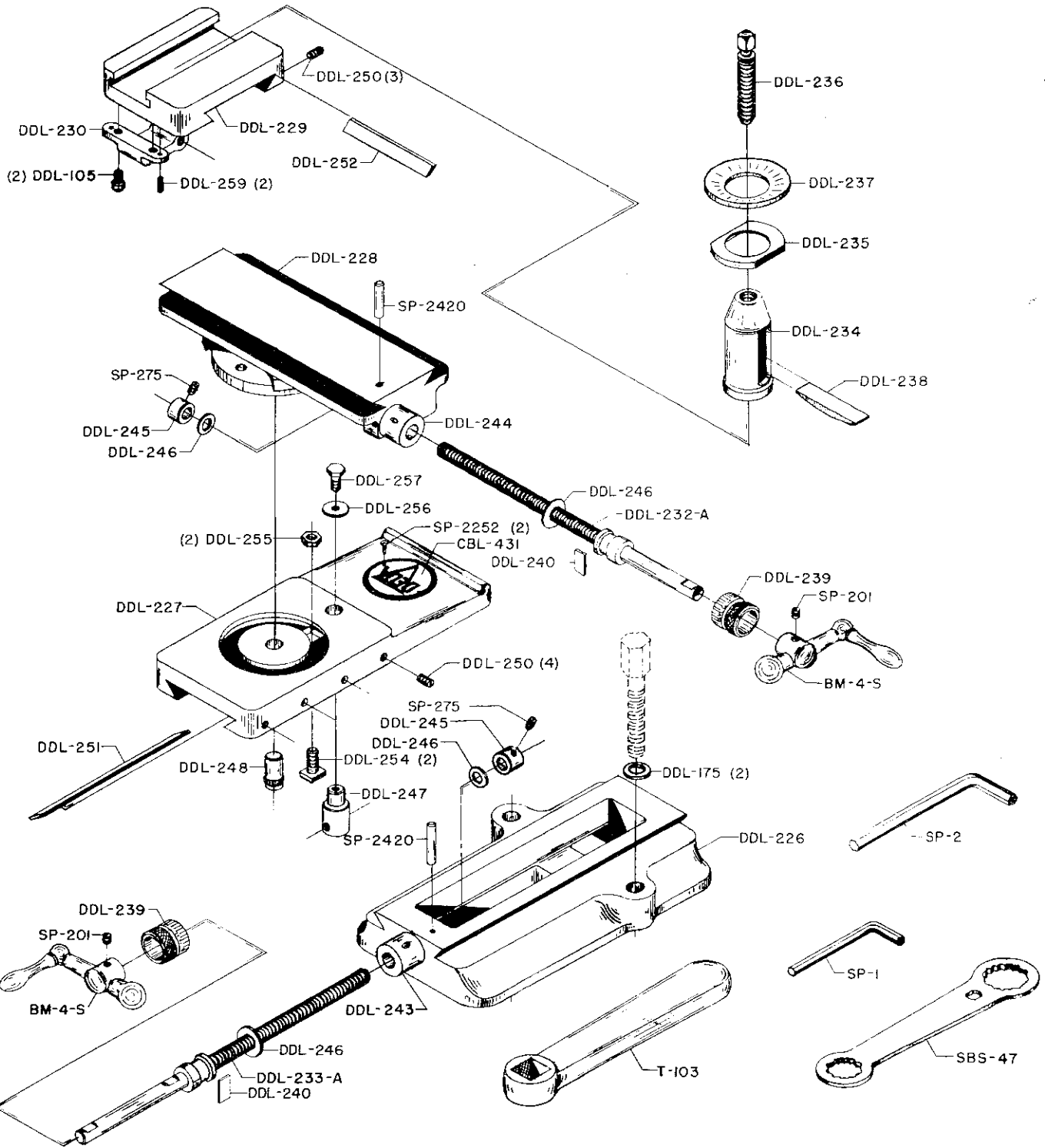
11" Cast iron bed lathe No. 46-230

* FURNISHED AS A UNIT ONLY



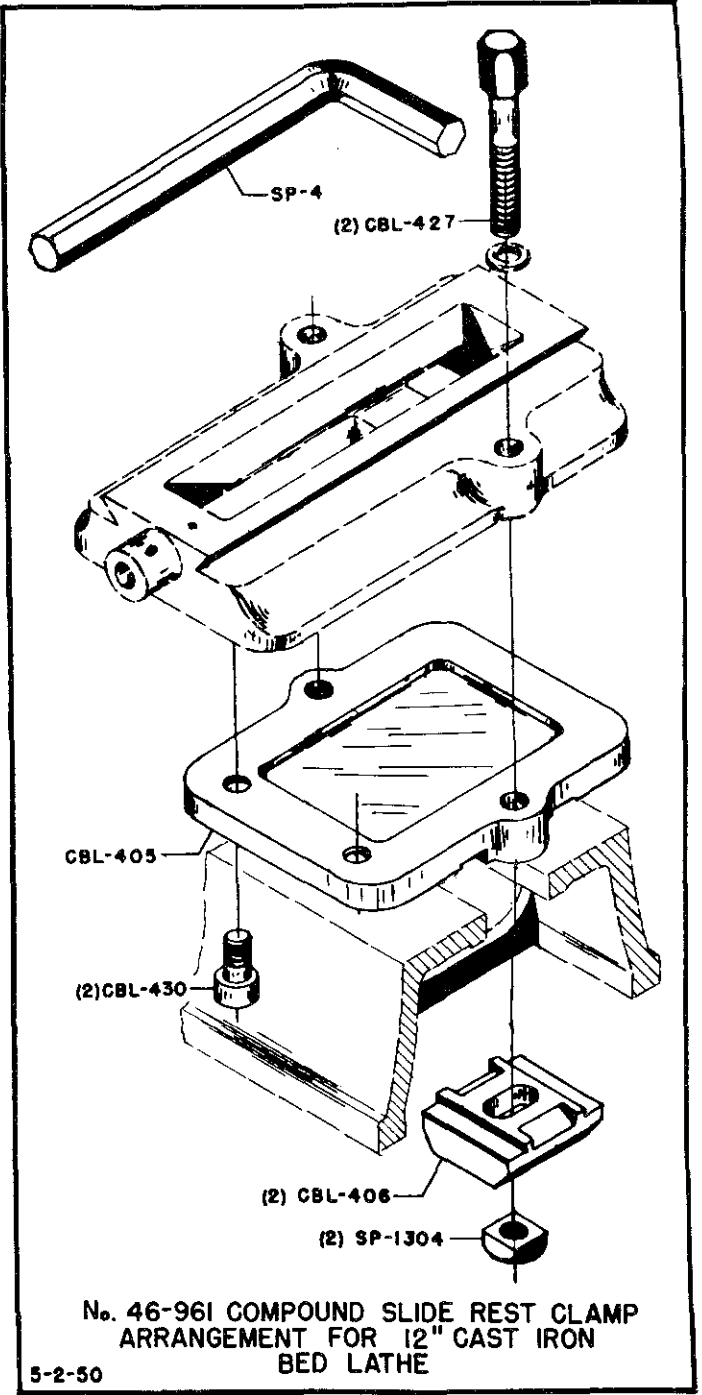
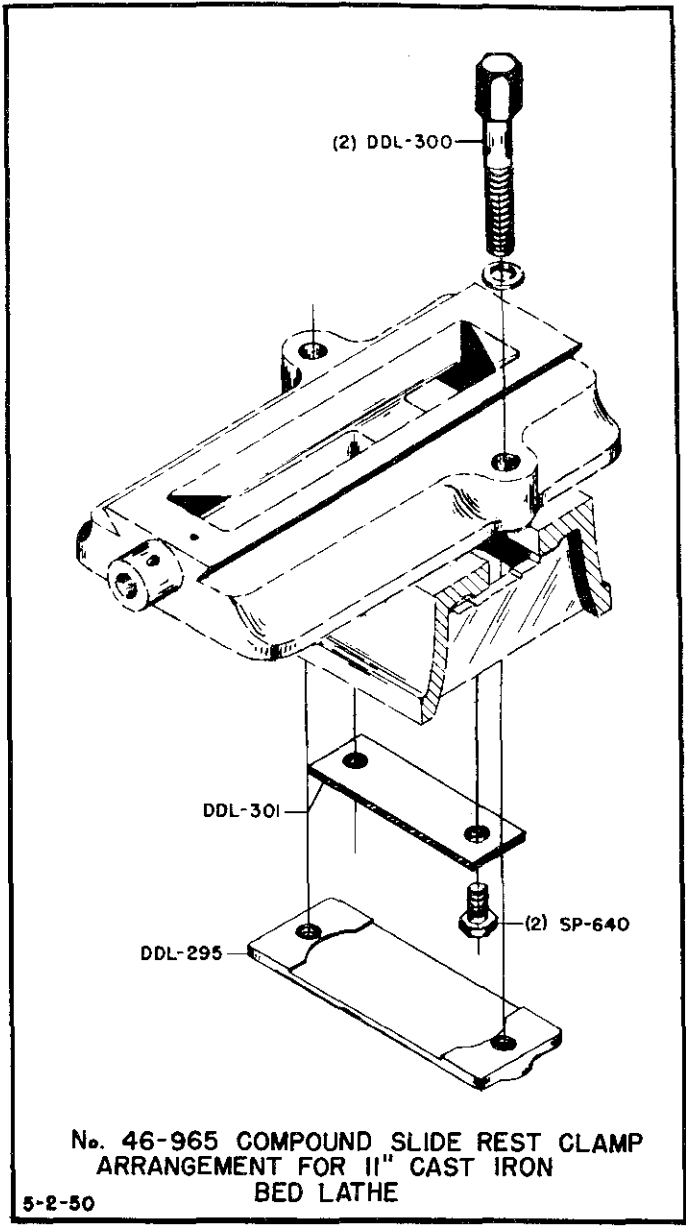


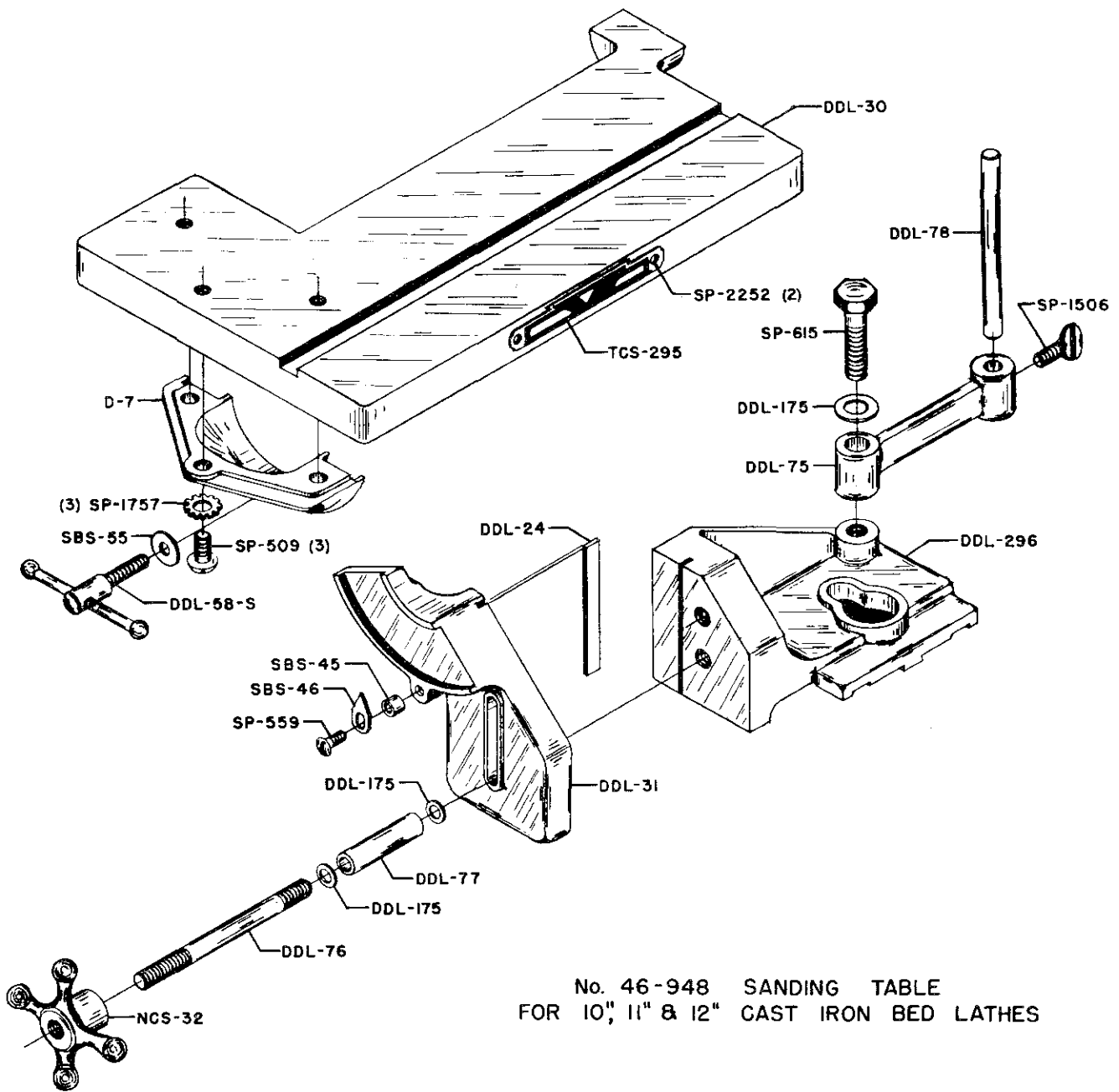
No. 46-827 STEADY REST



BASE, LOWER SLIDE, UPPER SLIDE AND TOOL POST FOR COMPOUND SLIDE REST

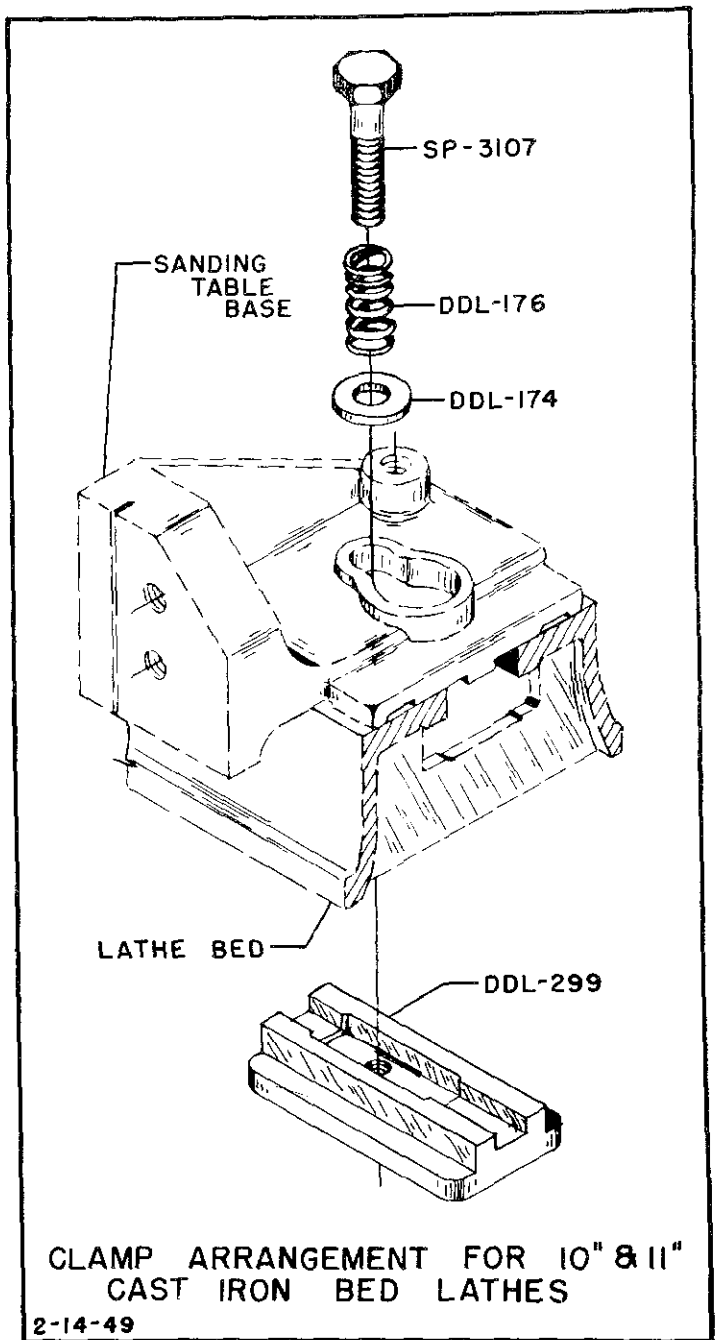
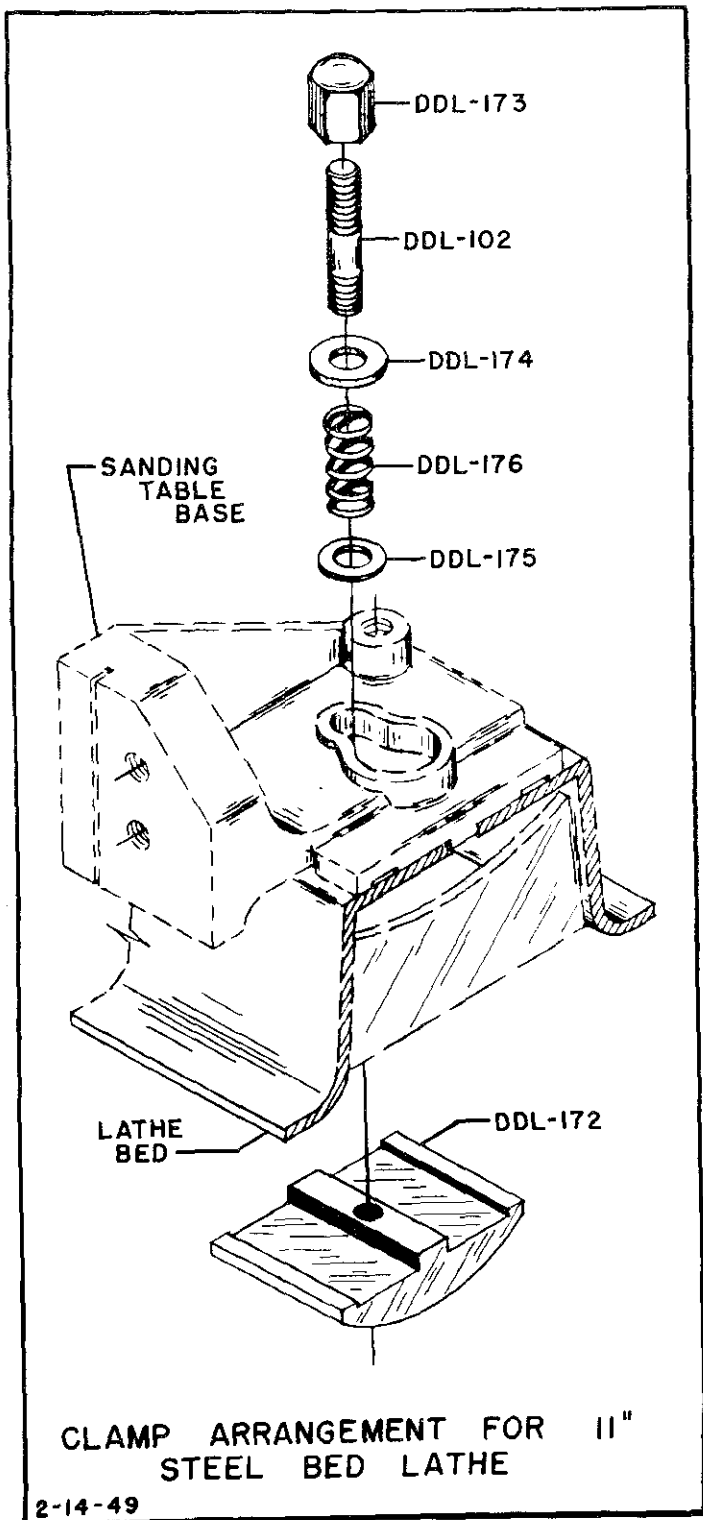
2-9-49

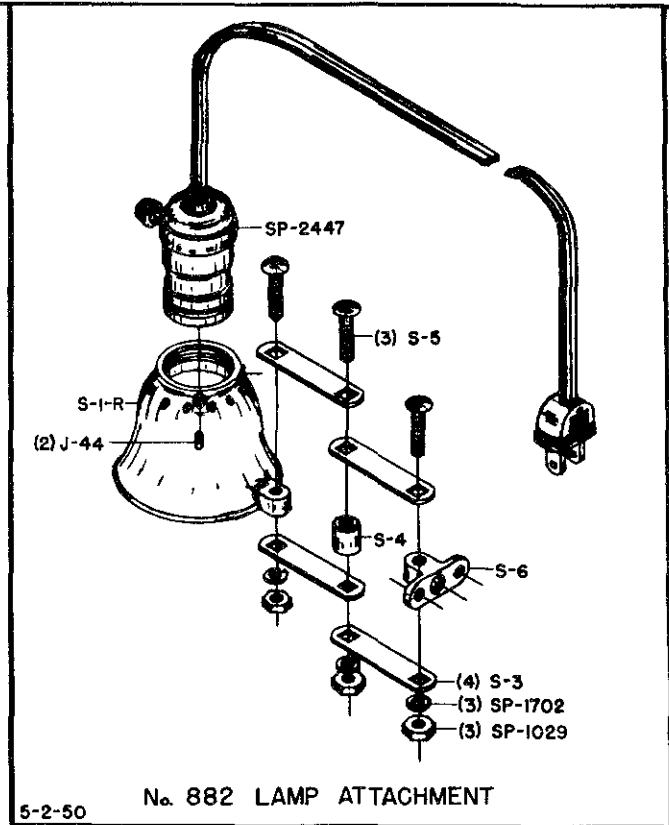
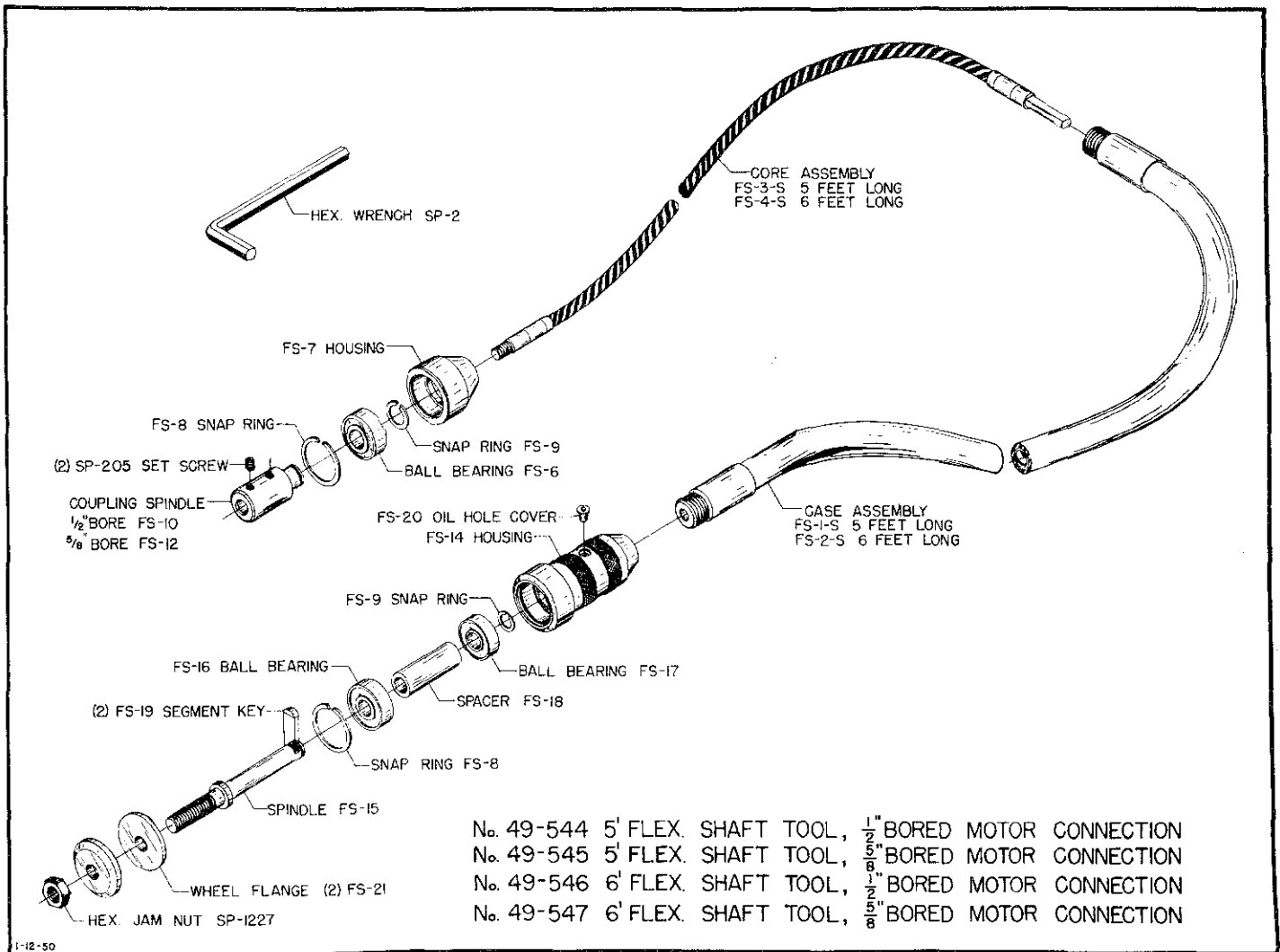


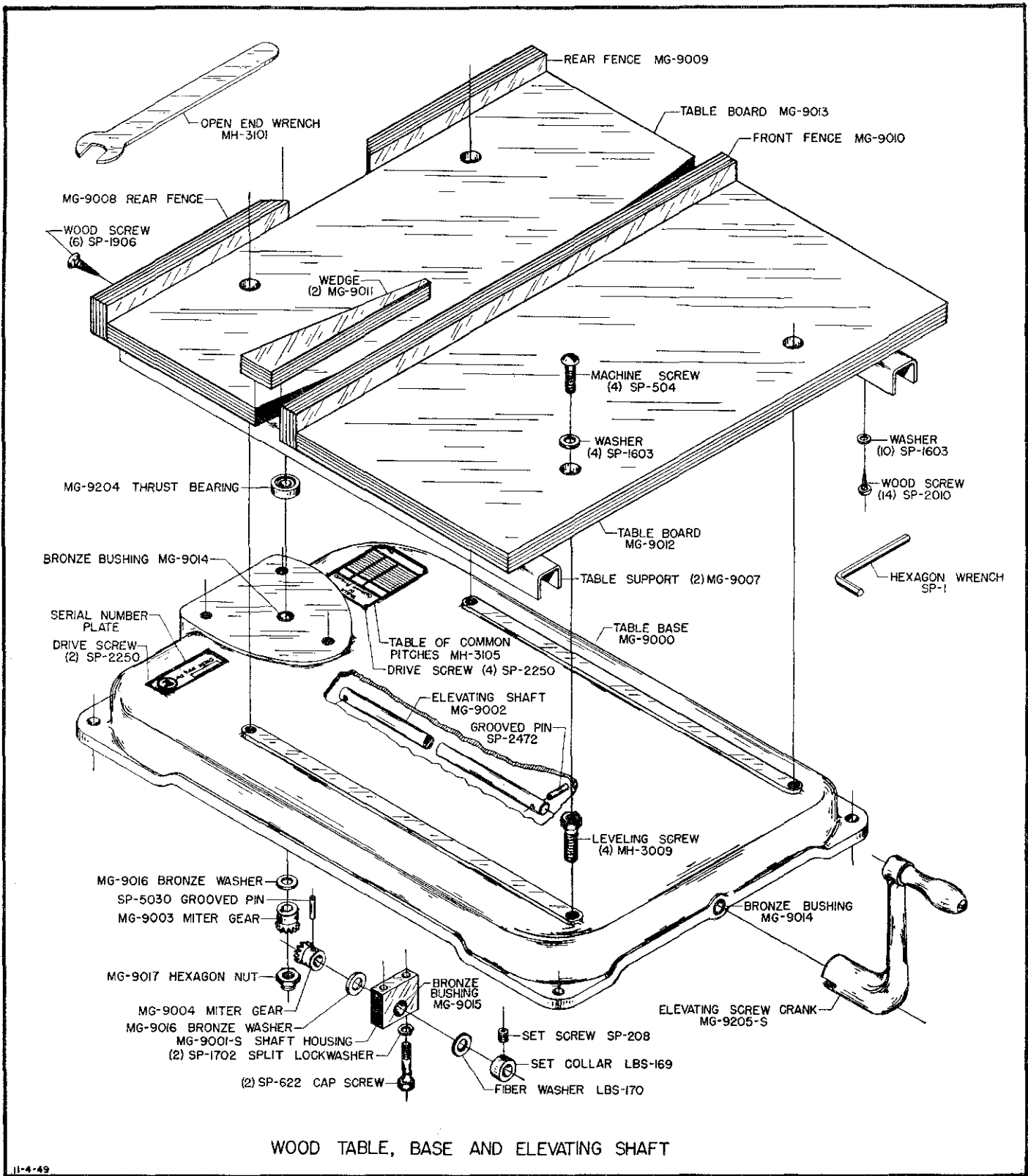


No. 46-948 SANDING TABLE
FOR 10", 11" & 12" CAST IRON BED LATHES

2-15-49



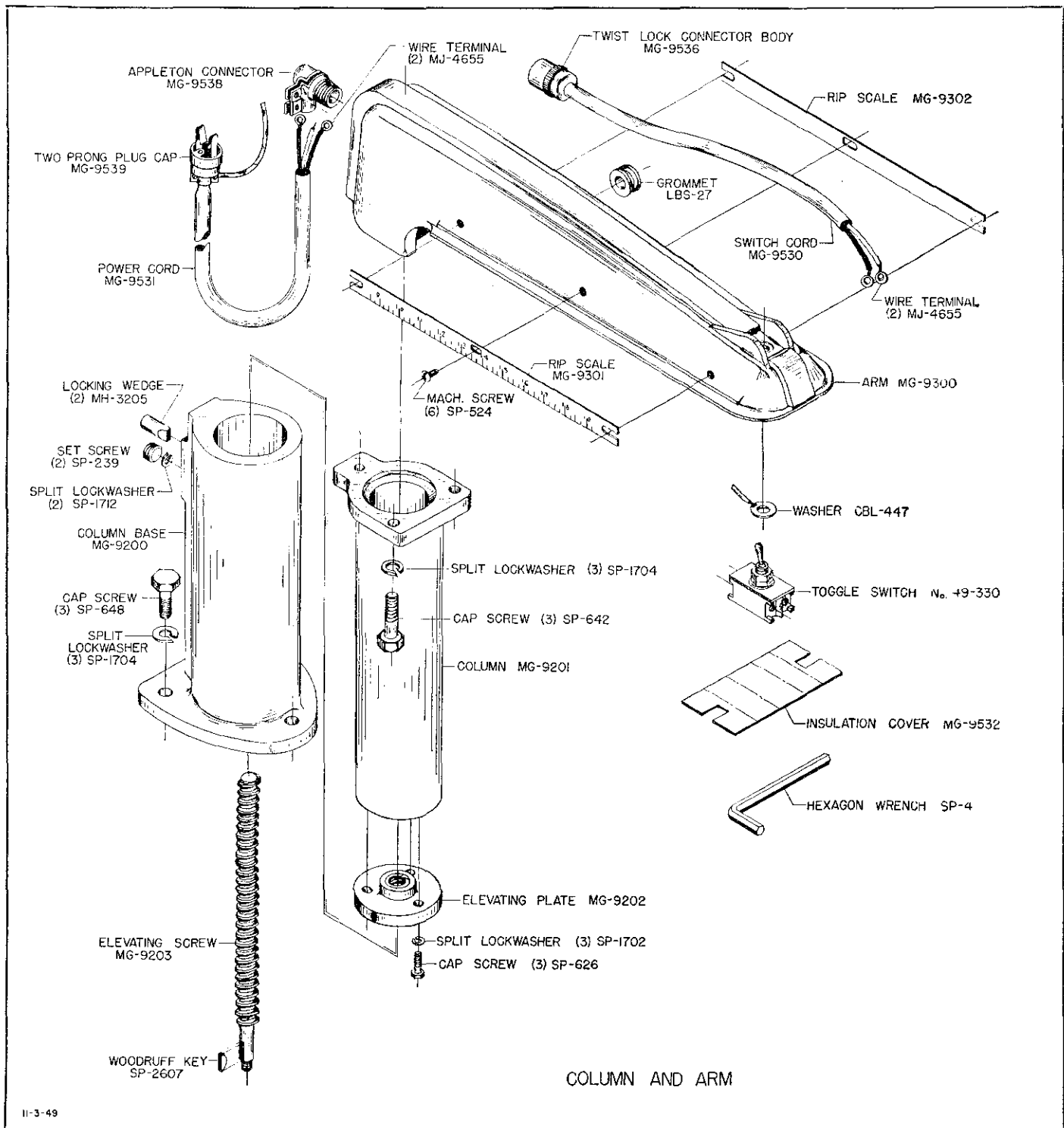




WOOD TABLE, BASE AND ELEVATING SHAFT

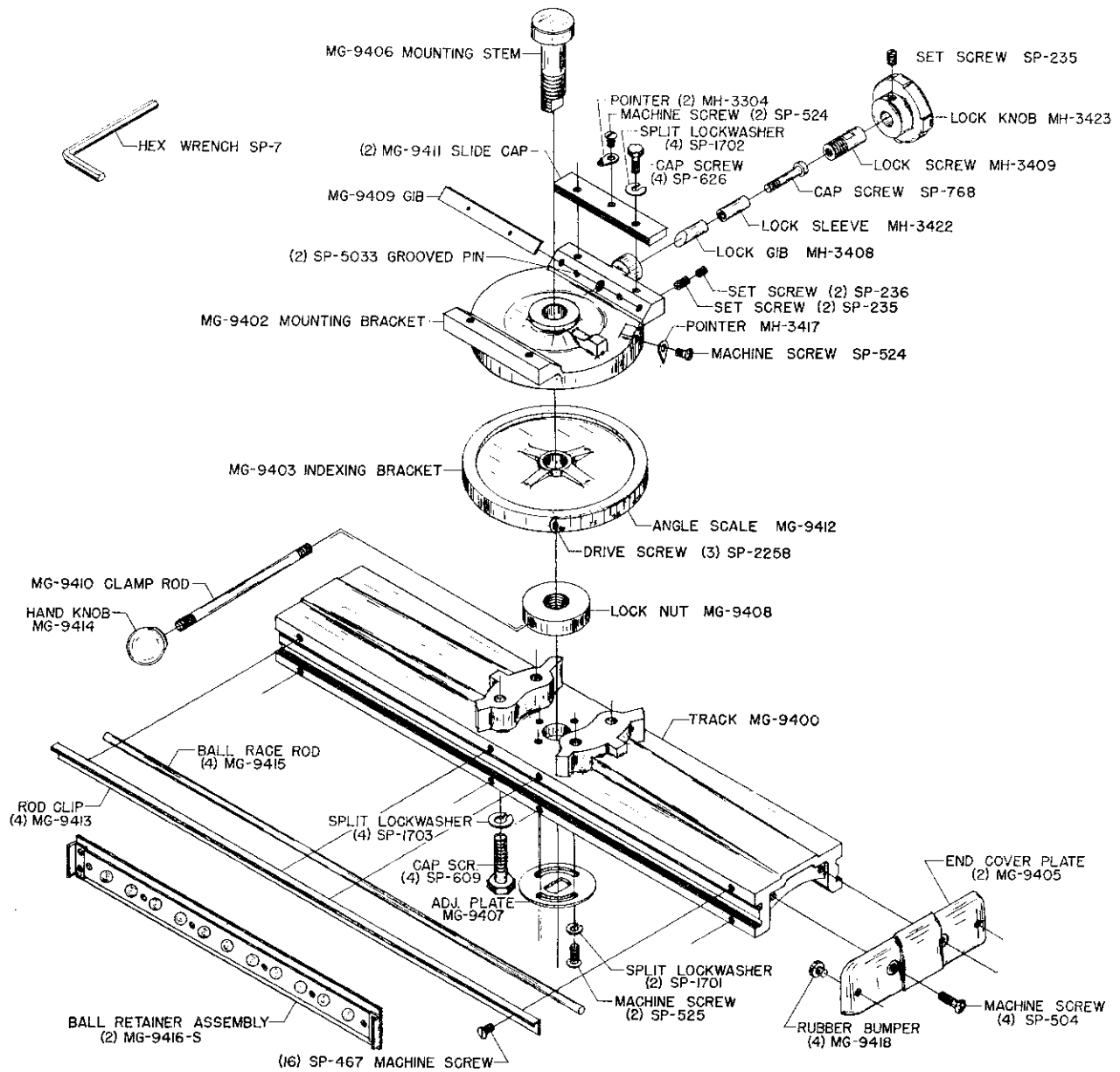
11-4-49

20A - RADIAL ARM SAW



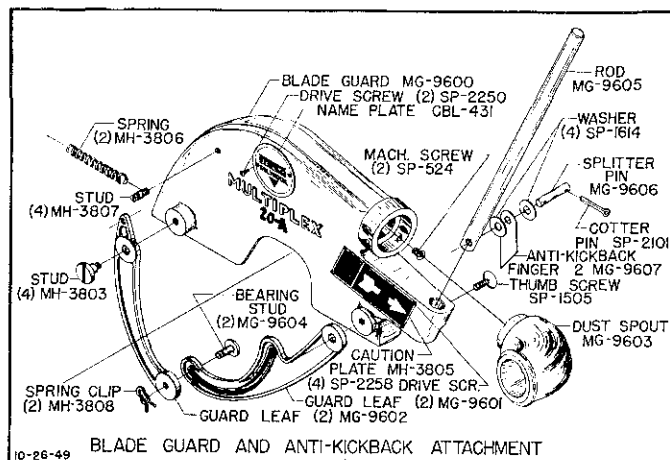
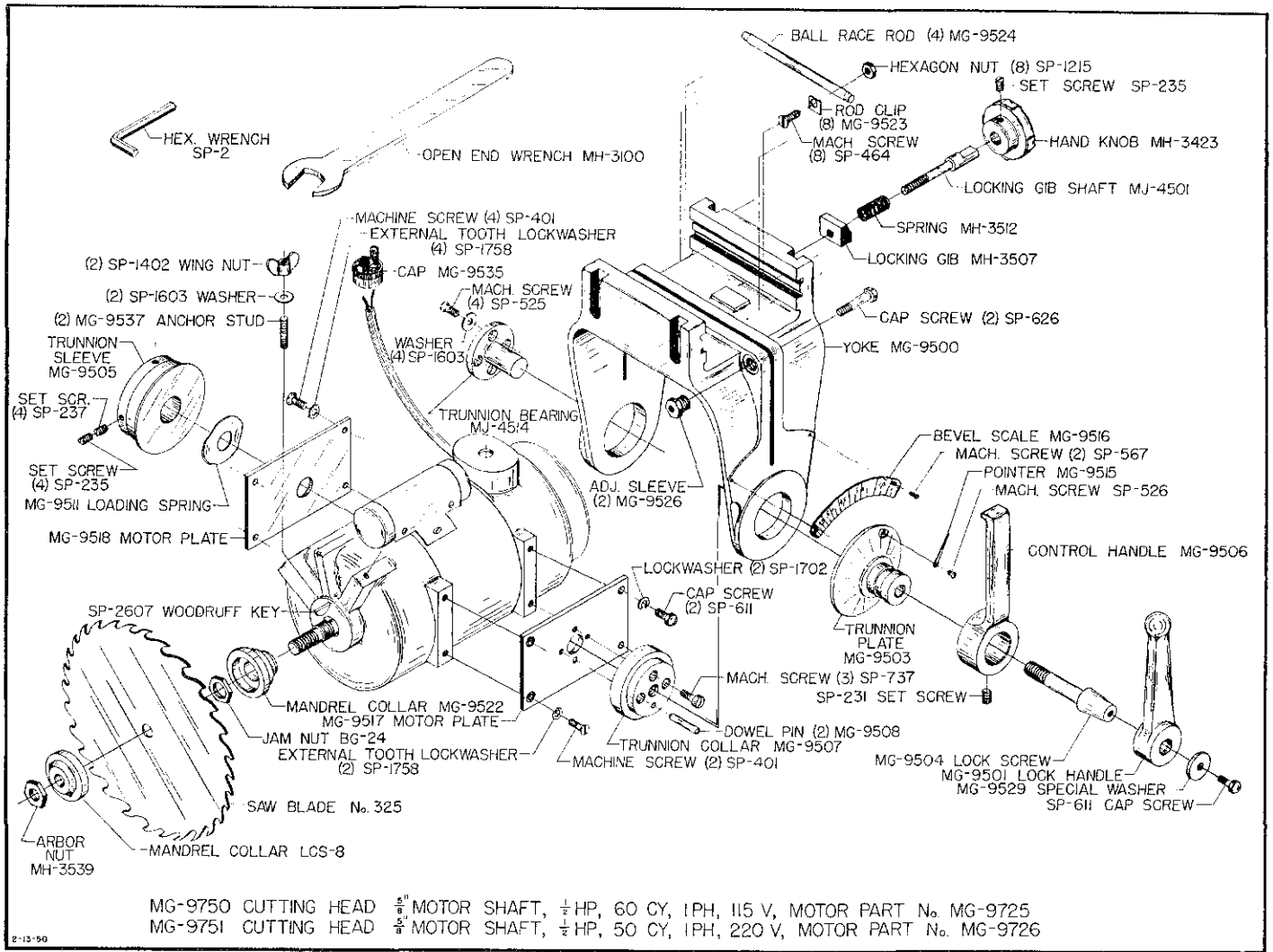
COLUMN AND ARM

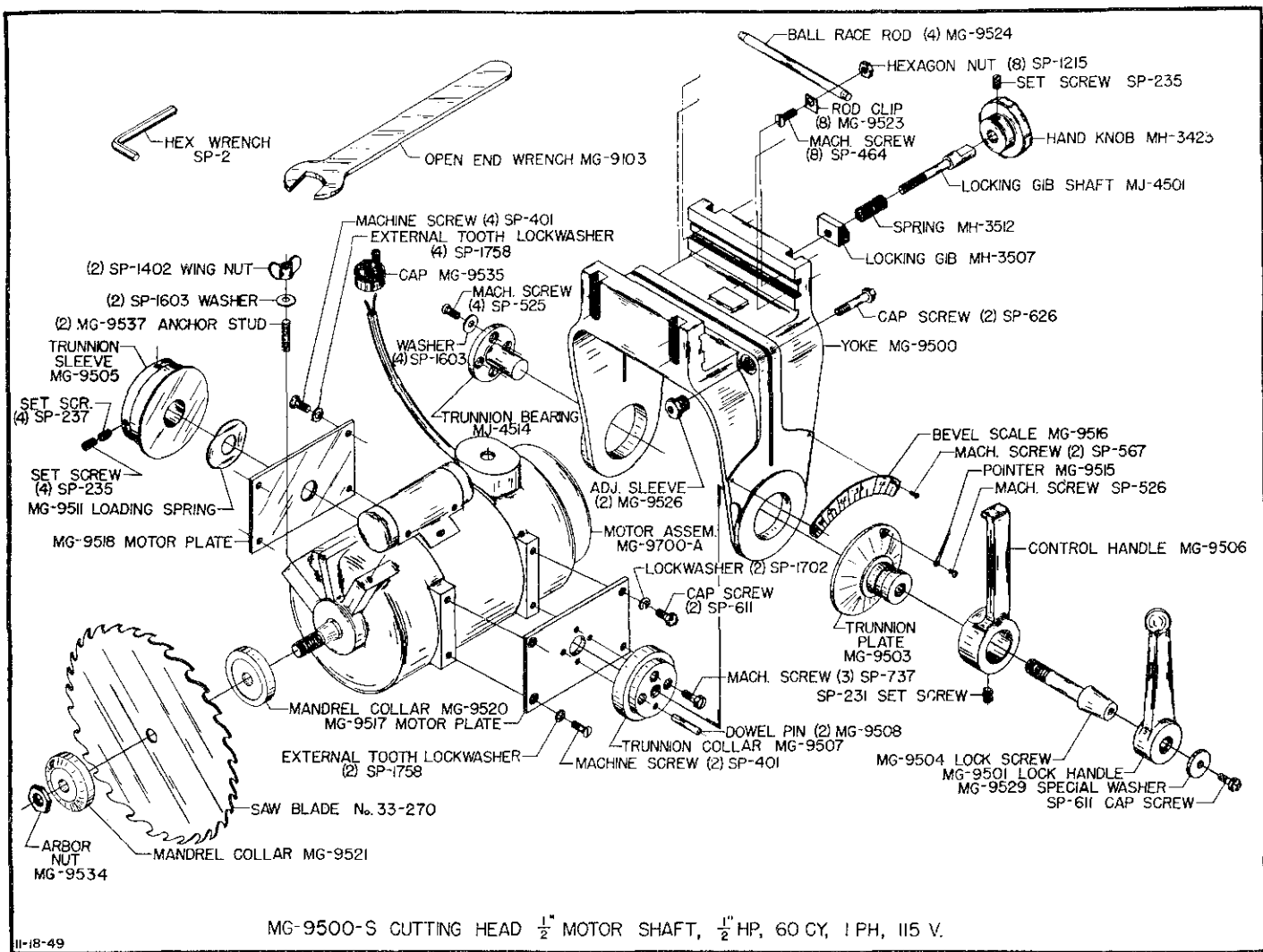
11-3-49



TRACK AND MOUNTING BRACKET

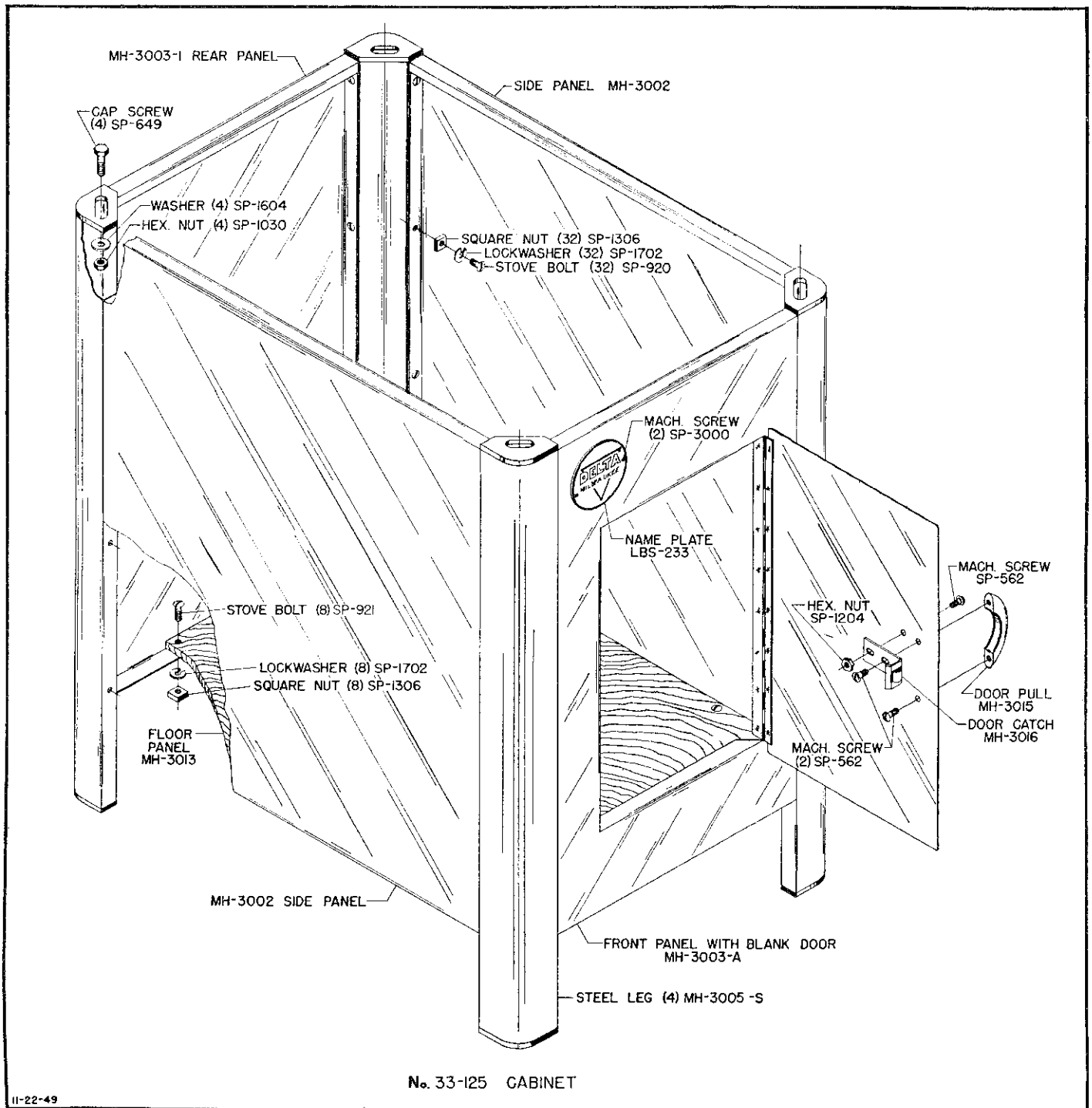
10-31-49





MG-9500-S CUTTING HEAD $\frac{1}{2}$ " MOTOR SHAFT, $\frac{1}{2}$ " HP, 60 CY, 1 PH, 115 V.

11-18-49



PARTS PRICE LIST

| PART NUMBER | DESCRIPTION | PRICE | | PART NUMBER | DESCRIPTION | PRICE | |
|-------------|---------------|--------|--|-------------|---------------|--------|--|
| | | LIST | | | | LIST | |
| BS204 | IDLER BRACKET | 3.35 | | BS327 | STEEL PIN | .50 | |
| BS204S | BRACKET ASSY | 1 6.75 | | BS328 | TOOL REST BKT | 1.85 | |
| BS205 | PLATEN | 6.50 | | BS330 | COLAR | .30 | |
| BS206 | TILTING TABLE | 6.65 | | BS332 | DUST SHUTE | 8.65 | |
| BS207 | TRUNNION | 3.60 | | BS336S | PULLEY SCREW | 4.45 | |
| BS207S | TRUNNION COMP | 4.50 | | BS337 | TOOL REST R | .90 | |
| BS208 | GUARD | 3.35 | | BS338 | TOOL REST L | .90 | |
| BS209 | DUST SPOUT | 4.35 | | BS342 | SPACER | 1.05 | |
| BS210 | DUST PLATE | .60 | | BS344 | PULLEY SHAFT | 1.70 | |
| BS211 | DUST PLATE | .50 | | BS345 | STUD | .45 | |
| BS212 | CLAMP RING | .60 | | BS346 | HINGE ARM | 3.00 | |
| BS214 | SIDE GUARD | 1.30 | | BS347R | PULLEYX SHAFT | 1 7.94 | |
| BS215 | GUARD PAN | 1.30 | | BS347S | PULLEY W BRGS | 1 6.05 | |
| BS216 | DRIVE SHAFT | 3.95 | | BS348 | SPACER | 1.35 | |
| BS219S | DRIVE DRUM | 5.90 | | | | | |
| BS221 | COLLAR | .35 | | | BW | | |
| BS223 | SPANNER NUT | 1.05 | | | | | |
| BS224 | JAM NUT | .85 | | | | | |
| BS225 | DRUM SHAFT | .70 | | | | | |
| BS226R | IDLER DRUM | 4.05 | | 419600 | UPPER CONTACT | .20 | |
| BS229 | COLLAR | .25 | | 427900 | LOWER CONTACT | .20 | |
| BS231 | KEY | .30 | | 7321K2 | TOGGLE SWITCH | 1.30 | |
| BS232 | STEEL PIN | .15 | | 8621K2 | TOGGLE SWITCH | 1.30 | |
| BS233 | LEVER | .45 | | 8654KL | WELONG SWITCH | 2.55 | |
| BS234 | SLEEVE | .50 | | 18681CL | HEAT SWITCH | 4.30 | |
| BS234S | BELT ASSY | 2.65 | | BW 7 | CASE | 5.20 | |
| BS235 | FLANGE | .40 | | BW 9 | GUIDE | .20 | |
| BS236 | STEEL PIN | .15 | | BW 12C | GAGE UPPER | .30 | |
| BS237 | ORDER BS237S | | | BW 12D | LOWER GAGE | .30 | |
| BS237S | SCREW ASSY | 1.85 | | BW 14A | UPPER CLAMP | .70 | |
| BS239 | ORDER BS237S | | | BW 14B | LOWER CLAMP | .70 | |
| BS241 | STUD | .20 | | BW 17 | CLMP HOL STUD | .25 | |
| BS242 | CLAMP BAR | .25 | | BW 21 | BEARING BLOCK | .25 | |
| BS244 | SPECIAL NUT | .25 | | BW 22 | BEARING | .85 | |
| BS245 | COIL SPRING | .15 | | BW 47ABC | JAWS SET OF 4 | 1.75 | |
| BS246 | BACK STOP | 1.40 | | BW 54 | PUSH ROD BRG | .30 | |
| BS247 | LINK | .95 | | BW113 | RATCHET DOG | .30 | |
| BS248 | BRACKET | 1.30 | | BW114 | CASE | 6.00 | |
| BS249 | WOODEN FENCE | 1.50 | | BW117ABC | JAWS SET OF 4 | 1.75 | |
| BS250 | TILT SCALE | .25 | | BW126 | SWITCH ASSY | 3.45 | |
| BS252 | STUD | .25 | | BW140 | RATCHET WHEEL | 2.10 | |
| BS256 | STUD | .30 | | BW149 | CONTACTORS | 5.20 | |
| BS257 | STEEL WASHER | .15 | | BW150 | CONTACTORS | 8.30 | |
| BS258 | ADAPTER | 1.75 | | BW154 | CLAMP LEVER | 1.15 | |
| BS258S | ADAPTER | 2.90 | | BW155 | STEEL PIN | .90 | |
| BS259 | COLLAR HALF | .50 | | BW156 | BEARING PLATE | 1.15 | |
| BS259R | COLLAR COMPL | 1.05 | | M391 | KNOB | .20 | |
| BS260 | CLOTH BAG | 4.40 | | | | | |
| BS261 | JAM NUT | .15 | | | C | | |
| BS262 | COLLAR | .25 | | | | | |
| BS263 | TOP FOR STAND | 3.90 | | | | | |
| BS264 | GUARD | 2.60 | | | | | |
| BS269A | GUARD PAN | 6.90 | | | | | |
| BS269S | ORDER AS 1411 | | | | | | |
| BS270A | GUARD COVER | 6.60 | | C 1 | SHELL | 1.35 | |
| BS272 | STUD | .20 | | C 2 | BODY | 1.00 | |
| BS300 | BASE | 3.15 | | C 3 | PLUNGER | .20 | |
| BS301S | HINGE BLOCK | 2.90 | | C 4 | JAWS SET OF 3 | .60 | |
| BS302 | HINGE ARM | 2.05 | | C 5 | COIL SPRING | .15 | |
| BS303 | MOUNT BRACKET | 6.80 | | | | | |
| BS304 | HINGE | 1.40 | | | CBL | | |
| BS305 | IDLER DRUM | 2.55 | | | | | |
| BS305R | PULLEYX SHAFT | 1 2.60 | | | | | |
| BS305S | IDLER DRUM | 1 0.95 | | | | | |
| BS306 | SHIFT BLOCK | .60 | | | | | |
| BS307 | SHIFT BUTTON | .25 | | | | | |
| BS309 | DRUM SHAFT | .60 | | | | | |
| BS310S | SCREW W KNOB | 1.30 | | | | | |
| BS311S | STUD WITH PIN | .35 | | CBL400 | LATHE BED | 4 9.20 | |
| BS312 | STUD | .50 | | CBL401 | HEADSTOK BODY | 8.70 | |
| BS313 | STEEL PIN | .25 | | CBL401R | HEADSTOK CPLT | 3 9.60 | |
| BS314 | ARBOR | 3.95 | | CBL401S | HOSTK L GUARD | 3 6.35 | |
| BS316 | MOUNTING BRKT | 2.40 | | CBL402 | TAILSTOK BODY | 6.75 | |
| BS317 | PLATEN | 3.15 | | CBL402S | TAILSTOK ASSY | 1 9.25 | |
| BS318 | STEEL PLATE | .20 | | CBL403 | TAILSTOK BASE | 3.65 | |
| BS319 | COLLAR | .30 | | CBL404 | PULLEY GUARD | 1.35 | |
| BS320 | ARBOR HEAD | 9.40 | | CBL405 | SUB BASE | 3.20 | |
| BS321A | GUARD W BOLTS | 3.00 | | CBL406 | CLAMP PLATE | .50 | |
| BS322 | GUARD COVER | 1.70 | | CBL406S | CLP PLTE ASSY | .85 | |
| BS324 | SPRING WASHER | .15 | | CBL407 | PULLEY | 3.35 | |
| BS325 | COIL SPRING | .55 | | CBL409 | BEARNG FLANGE | .60 | |
| BS326A | GUARD W BOLTS | 3.00 | | CBL410 | SPINDLE NUT | .95 | |

PARTS PRICE LIST

| PART NUMBER | DESCRIPTION | PRICE | | PART NUMBER | DESCRIPTION | PRICE | |
|-------------|---------------|--------|--|-------------|---------------|--------|--|
| | | LIST | | | | LIST | |
| CBL411S | INDEX PIN | .55 | | CBS 74 | LEVER | 1.25 | |
| CBL415 | STEEL PIN | .15 | | CBS 75 | TREADLE | 1.30 | |
| CBL416 | QUILL | 2.10 | | CBS 76 | STEEL PIN | .15 | |
| CBL417 | SLEEVE LOWER | .15 | | CBS 77 | CONNECT ROD | 1.05 | |
| CBL418 | SLEEVE UPPER | .20 | | CBS 78 | HAND KNOB | .65 | |
| CBL419 | ADJ SCREW | .30 | | CBS 79S | KNOB W PIN | 1.15 | |
| CBL421 | BUSHING | .75 | | CBS 80S | CAM W SCREW | 1.15 | |
| CBL422 | CAP NUT | .25 | | CBS 81 | BRAKE LINING | .45 | |
| CBL423 | SET SCREW | .20 | | CBS 82 | UPPER SHAFT | 5.25 | |
| CBL424 | SPEC KEY | .15 | | CBS 83 | SPANNER NUT | .85 | |
| CBL425 | SUPPORT BASE | 3.15 | | CBS 84 | STEEL BUSHING | .45 | |
| CBL425S | ORDER AS 1461 | | | CBS 85 | COIL SPRING | .30 | |
| CBL426 | STEEL WASHER | .15 | | CBS 86 | POINTER | .15 | |
| CBL427 | CLAMP SCREW | .30 | | CBS 87 | TENSION SCALE | .15 | |
| CBL430 | CAP SCREW | .45 | | CBS 88 | SPRING CAP | .45 | |
| CBL431 | NAME PLATE | .20 | | CBS 89 | TENSION SCREW | 2.80 | |
| CBL433 | CLAMP LEVER | 1.05 | | CBS 90 | COIL SPRING | .15 | |
| CBL434 | STEEL WASHER | .15 | | CBS 91 | GUIDE POST | 1.40 | |
| CBL435 | STEEL BUSHING | .30 | | CBS 93 | CLAMP SCREW | 1.80 | |
| CBL436 | CLAMP FLANGE | .70 | | CBS 94 | BRASS PLUG | .30 | |
| CBL437 | COIL SPRING | .15 | | CBS 95 | SUPPORT BRKT | 1.70 | |
| CBL437 | COIL SPRING | .15 | | CBS 95S | BRKT ASSY | 1 2.00 | |
| CBL438 | ECCENT SHAFT | 1.25 | | CBS 96 | BRACKET | .65 | |
| CBL439 | EYE BOLT | 1.05 | | CBS 97 | SHAFT | .50 | |
| CBL440S | LOCK BOLT | .85 | | CBS 98 | GUIDE BLOCK | .35 | |
| CBL441 | HANDLE BALL | .15 | | CBS 99 | BLADE GUARD | .70 | |
| CBL442 | STEEL PIN | .35 | | CBS100 | TILT SCALE | .20 | |
| CBL443 | STEEL WASHER | .15 | | CBS101 | STOP BAR | .55 | |
| CBL444 | SCREW | .15 | | CBS102 | SUPPORT BRKT | 1.75 | |
| CBL446 | STDY REST BDY | 4.85 | | CBS102S | BRKT ASSY | 1 4.25 | |
| CBL447 | STEEL WASHER | .15 | | CBS103 | STEEL RAIL | .60 | |
| CBL448 | COIL SPRING | .15 | | CBS104 | BRACKET | .35 | |
| CBL450 | ORDER AS 1334 | | | CBS105 | GUIDE BLOCK | .35 | |
| CBL451S | ORDER AS 1490 | | | CBS107S | SCREW W KNOB | .75 | |
| CBL453 | CENTER INSERT | 1.50 | | CBS108 | STEEL SHAFT | 1.35 | |
| CBL454 | CUP CENTER | .95 | | CBS109 | SPACNG SLEEVE | 2.00 | |
| CBL454S | ABOVE W POINT | 1.15 | | CBS110 | ADJUST LINK | .30 | |
| CBL455 | FLAT CENTER | .70 | | CBS111 | STEEL BUSHNG | .50 | |
| CBL470 | CUP WASHER | .15 | | CBS112 | DUST PLATE | .25 | |
| CBL473 | BODY | 9.20 | | CBS113 | DRIVE SHAFT | 6.90 | |
| CBL474 | COLLAR | 4.60 | | CBS114 | SPANNER NUT | 2.30 | |
| CBL475 | COLLET | 3.45 | | CBS115 | JAM NUT | 1.05 | |
| CBL476 | COLLET | 3.45 | | CBS116 | JAM NUT | .70 | |
| CBL477 | COLLET | 3.45 | | CBS117 | STEEL SHAFT | 1.00 | |
| CBL478 | CLAMP PLATE | 1.30 | | CBS121 | COIL SPRING | .15 | |
| CBS | | | | CBS122 | SPACNG COLLAR | .25 | |
| CBS 1A | FRAME | 1 2.50 | | CBS124 | STEEL PLATE | .50 | |
| CBS 12A | DOOR W BRKT | 6.75 | | CBS125 | NAME PLATE | .45 | |
| CBS 12S | DOOR ASSY | 6.75 | | CBS126 | NAME PLATE | .35 | |
| CBS 13A | DOOR W BRKT | 6.80 | | CBS127 | COIL SPRING | .20 | |
| CBS 13S | DOOR ASSY | 6.80 | | CBS128 | BRASS BUSHING | .30 | |
| CBS 22A | DOOR W BRKT | 4.90 | | CBS130S | ORDER 49 314 | | |
| CBS 22S | DOOR ASSY | 4.90 | | CBS131 | CARRIAGE BOLT | .15 | |
| CBS 31A | MOTOR PLATE | 3.15 | | CBS135 | HAND KNOB | .50 | |
| CBS 51 | BUTT HINGE | .15 | | CBS136S | PULLEY SCREW | 8.00 | |
| CBS 52 | BUTT HINGE | .60 | | CBS137S | SCREW W KNOB | .95 | |
| CBS 57 | BUTT HINGE | .45 | | CBS138 | TOBLE INSERT | .50 | |
| CBS 60 | TILTING TABLE | 70.65 | | CBS140S | PULLEY SCREW | 3.95 | |
| CBS 60S | TABLE ASSY | 80.20 | | CBS141S | LOWER WHEEL | 2 5.05 | |
| CBS 61 | SLIDING BRKT | 6.25 | | CBS142S | UPPER WHEEL | 2 9.35 | |
| CBS 61S | BRKT ASSY | 38.55 | | CBS143 | BRAKE DRUM | 1.80 | |
| CBS 62 | HOUSING | 3.40 | | CBS147S | ORDER 49 315 | | |
| CBS 62S | SHAFT ASSY | 1 6.35 | | CBS148 | RUBBER TIRE | 2.60 | |
| CBS 63 | TRUNNION BRKT | 2 1.30 | | CBS150 | REAR CLMP ROD | .50 | |
| CBS 64 | FRNT TRUNNION | 3.80 | | CBS151 | FENCE BODY | 4.95 | |
| CBS 65 | REAR TRUNNION | 3.65 | | CBS151S | RIP FENCE | 1 5.85 | |
| CBS 66 | BRACKET | 4.40 | | CBS152 | CAP SCREW | .85 | |
| CBS 67 | DUST SPOUT | 5.05 | | CBS153 | COIL SPRING | .15 | |
| CBS 67S | SPOUT W PLATE | 5.75 | | CG | | | |
| CBS 68 | MOUNTNG PLATE | 5.75 | | CG 2 | COOLANT PAN | 9.65 | |
| CBS 69 | GIB | 1.10 | | CG 2S | TABLE X PAN | 2 1.30 | |
| CBS 70 | PLATE | 1 5.05 | | CG 3 | TILTING TABLE | 5.95 | |
| CBS 71 | HOUSING | 1 3.15 | | CG 4 | MITER GAGE | 1.15 | |
| CBS 71S | L SHAFT ASSY | 3 2.85 | | CG 4S | GAGE COMPL | 3.05 | |
| CBS 72S | BRAKE SHOE | 1.65 | | CG 7 | STUD | .20 | |
| CBS 73 | BRACKET | 1.70 | | CG 8 | MOTOR BASE | 5.25 | |
| | | | | CG 9 | COLUMN | 2 6.65 | |

PARTS PRICE LIST

| PART NUMBER | DESCRIPTION | PRICE | | PART NUMBER | DESCRIPTION | PRICE | |
|-------------|---------------|--------|--|-------------|---------------|-------|--|
| | | LIST | | | | LIST | |
| CG 9S | ORDER 23 805 | | | COS378S | ORDER AS 1633 | | |
| CG 10 | LAMP ATTACH | 1 2.35 | | COS381 | BALL BEARING | 2.90 | |
| CG 10A | LAMP SHADE | 2.00 | | COS382S | ARBOR ASSY | 23.85 | |
| CG 10B | CONDUIT | 8.05 | | COS383 | BRACKET ONLY | 16.40 | |
| CG 12 | RING | .50 | | COS383R | BRACKET ASSY | 46.85 | |
| CG 13 | BRASS PIN | .50 | | COS383S | BRKT COMP | 23.00 | |
| CG 14 | GUIDE BAR | .30 | | COS385 | COLLAR | .45 | |
| CG 15 | STUD | .25 | | COS389R | ARBOR W FLNGE | 5.55 | |
| CG 16 | BAR | .50 | | COS391 | COLLAR | .60 | |
| CG 17 | COIL SPRING | .15 | | COS393 | COOLANT PAN | 03.85 | |
| CG 18 | BRAKE SHOE | .45 | | COS394 | PLATE | 1.75 | |
| CG 19 | FACE PLATE | .50 | | COS395 | HANDLE | 1.30 | |
| CG 20 | ARBOR NUT | .45 | | COS396 | NOZZLE | 1.10 | |
| CG 21 | ARBOR NUT | .45 | | COS397 | FELT WASHER | .15 | |
| CG 24 | SWITCH | 7.45 | | COS398 | STEEL WASHER | .15 | |
| CG 27 | SCREW | .25 | | COS399 | DRAIN FILTER | .30 | |
| CG 28S | WRENCH | 1.45 | | COS401 | BRACKET | .95 | |
| CG 31 | WATER POT | 1.60 | | COS402 | GUARD | 7.45 | |
| CG 32 | POINTER | .15 | | COS403 | GUARD COVER | 3.90 | |
| CG 33 | STUD | .20 | | COS404 | HOOK BOLT | .30 | |
| CG 34 | SWITCH | 1 3.90 | | COS406 | BEARING CAP | .35 | |
| CG 35 | PLATE | .20 | | COS407 | COLLAR | .90 | |
| CG 40 | STEEL WASHER | .25 | | COS407S | COLLAR W SCRW | 1.05 | |
| CG 42 | DRIVE FLANGE | 4.55 | | | | | |
| CG 42R | FLANGE ASSY | 5.60 | | | | | |
| CG 43 | BEARING SEAL | .35 | | | | | |
| CG 44 | WASHER | .20 | | | | | |
| | | | | | CP | | |
| | COS | | | CP 3 | IMPELLER | 1.15 | |
| | | | | CP 4 | TANK | 11.25 | |
| | | | | CP 4S | ORDER 49 618 | | |
| | | | | CP 5 | TANK COVER | 4.90 | |
| | | | | CP 6 | GASKET | .30 | |
| | | | | CP 7 | GASKET | .20 | |
| | | | | CP 12 | CLAMP BAR | .75 | |
| | | | | CP 13 | STRAINER | 1.00 | |
| | | | | CP 20S | MOTOR | 44.80 | |
| | | | | CP 21S | MOTOR | 56.05 | |
| | | | | CP 22S | MOTOR | 56.05 | |
| | | | | CP 23S | MOTOR | 57.25 | |
| | | | | CP 24S | MOTOR | 65.85 | |
| | | | | CP 25S | MOTOR | 81.65 | |
| | | | | CP 26S | MOTOR | 58.65 | |
| | | | | CP 27 | OIL SEAL | .60 | |
| | | | | CP 32 | BODY PUMP | 13.20 | |
| | | | | CP 33 | IMPELLER HSG | 10.70 | |
| | | | | CP 34 | GASKET | .15 | |
| | | | | | | | |
| | | | | | CS | | |
| | | | | CS 7 | BODY | 1.40 | |
| | | | | CS 10 | JAM NUT | .15 | |
| | | | | CS 12 | BUSHING | .60 | |
| | | | | CS 17S | BAR | .75 | |
| | | | | CS 18 | SCREW | .25 | |
| | | | | CS 21 | PLATE | .15 | |
| | | | | CS 21S | CLAMP ASSY | .25 | |
| | | | | CS 27 | WOOL WICK | .55 | |
| | | | | CS 37 | ROD BENT | .20 | |
| | | | | CS 38 | ROD | .20 | |
| | | | | | | | |
| | | | | | D | | |
| | | | | D 7 | TRUNNION | 1.60 | |
| | | | | D 46 | TIRE | .75 | |
| | | | | D151 | COLLAR | .55 | |
| | | | | D152 | WOODEN BOX | 1.80 | |
| | | | | D153 | SAME AS 981 | | |
| | | | | D165 | ORDER AS 1196 | | |
| | | | | D166 | ORDER AS 1195 | | |
| | | | | D167 | ORDER AS 1193 | | |
| | | | | D168 | ORDER AS 1194 | | |
| | | | | D169S | BLOCK | .70 | |
| | | | | D170 | DOWEL PIN | .15 | |
| | | | | D183 | JAM NUT | .85 | |
| COS301 | TABLE | 5 3.05 | | | | | |
| COS302 | TABLE INSERT | 9.15 | | | | | |
| COS303S | SUPPORT ASSY | 7.15 | | | | | |
| COS305 | MOTOR FOOT | .60 | | | | | |
| COS308 | MOTOR FOOT | .60 | | | | | |
| COS311 | GUARD COVER | 7.80 | | | | | |
| COS312 | GUARD PAN | 6.25 | | | | | |
| COS313 | PIVOT SHAFT | .75 | | | | | |
| COS314 | TORSION SPRNG | .50 | | | | | |
| COS315 | CLAMP COLLAR | .85 | | | | | |
| COS316 | BUSHING | .35 | | | | | |
| COS317 | STUD | .60 | | | | | |
| COS318 | RUBBER BUMPER | .15 | | | | | |
| COS319 | NUT | .50 | | | | | |
| COS320 | NUT | .25 | | | | | |
| COS321 | STEEL PIN | .30 | | | | | |
| COS323 | FLANGE | 1.10 | | | | | |
| COS324 | WHEEL FLANGE | 1.65 | | | | | |
| COS327 | HANDLE | .95 | | | | | |
| COS328 | HANDLE BALL | .85 | | | | | |
| COS329 | ANGLE SCALE | .50 | | | | | |
| COS330S | ORDER AS 1605 | | | | | | |
| COS331S | ORDER AS 1603 | | | | | | |
| COS332 | COLLAR | .50 | | | | | |
| COS334 | WHEEL FLANGE | 2.45 | | | | | |
| COS335 | CHIP GUARD | 4.60 | | | | | |
| COS336 | FENCE LEFT | 1.80 | | | | | |
| COS337 | FENCE RIGHT | 2.85 | | | | | |
| COS338 | BLOCK HOLDER | .60 | | | | | |
| COS340S | STOP BLOCK | .90 | | | | | |
| COS342 | INSERT COLLAR | .25 | | | | | |
| COS347 | ARBOR COLLAR | .35 | | | | | |
| COS351 | NUT | .25 | | | | | |
| COS355A | BASE W BLOCKS | 8.40 | | | | | |
| COS355S | BASE | 8.80 | | | | | |
| COS359 | CAM BLOCK | 1.60 | | | | | |
| COS360 | CAM | 1.75 | | | | | |
| COS361 | STEEL SHAFT | 1.75 | | | | | |
| COS362 | KEY | .20 | | | | | |
| COS363 | CLAMP LEVER | 3.15 | | | | | |
| COS364 | LEVER | 1.10 | | | | | |
| COS365 | COIL SPRING | .35 | | | | | |
| COS366 | BUSHING | .60 | | | | | |
| COS368S | TUBE W NUT | .50 | | | | | |
| COS369 | FLANGE | 3.45 | | | | | |
| COS374S | ORDER AS 1606 | | | | | | |
| COS375S | ORDER AS 1604 | | | | | | |
| COS376 | DUST SPOUT | 3.45 | | | | | |
| COS377S | ORDER AS 1634 | | | | | | |

PARTS PRICE LIST

| PART NUMBER | DESCRIPTION | PRICE | | PART NUMBER | DESCRIPTION | PRICE | |
|-------------|----------------|--------|--|-------------|---------------|--------|--|
| | | LIST | | | | LIST | |
| DDL200 | ARBOR | 1.75 | | DP 16 | RET SPRING | .55 | |
| DDL202 | JAW | .60 | | DP 19 | POINTER | .15 | |
| DDL203 | CENTER FOOT | .95 | | DP 21S | PULLEY | 2.15 | |
| DDL204 | END FOOT | 1.10 | | DP 22 | BUSHING | 1.15 | |
| DDL205 | ORDER AS 933 | | | DP 23 | SHAFT | .30 | |
| DDL206 | CENTER PIN | .15 | | DP 25 | SPEC CAP NUT | .15 | |
| DDL207 | USE 934 | | | DP 26 | QUILL | 1.15 | |
| DDL208 | SPEC SCREW | .15 | | DP 28S | ORDER AS 624 | | |
| DDL210 | CLAMP PLATE | 1.15 | | DP 29S | SPINDLE CHUCK | 1 1.50 | |
| DDL226R | BASE W BEARING | 8.40 | | DP 30S | CONE | .50 | |
| DDL227 | LOWER SLIDE | 5.55 | | DP 32 | CONE | .65 | |
| DDL228R | SAADDLE W BRG | 9.80 | | DP 33 | PULLEY | 1.15 | |
| DDL229 | UPPER SLIDE | 3.15 | | DP 34S | STOP COLLAR | .85 | |
| DDL229R | U SLIDE ASSY | 2 4.50 | | DP 36 | SCREW | .15 | |
| DDL230S | NUT W PIN | 1.35 | | DP 41 | FIBRE WASHER | .15 | |
| DDL231 | CLAMP PLATE | .95 | | DP 42 | CHUCK | 1 0.80 | |
| DDL232S | U SCREW ASSY | 3.15 | | DP 43 | SLEEVE | .25 | |
| DDL233S | L SCREW ASSY | 3.20 | | DP 44 | KEY | .95 | |
| DDL234 | TOOL POST | 2.10 | | DP 52S | SEAL ASSY | .25 | |
| DDL235 | SWIVEL WASHER | .70 | | DP200 | TILTING TABLE | 7.45 | |
| DDL236 | CLAMP SCREW | .50 | | DP200S | TABLE COMPLTE | 1 3.40 | |
| DDL237 | CUP WASHER | .75 | | DP204 | BRACKET | 4.05 | |
| DDL238 | ROCKER | .60 | | DP204R | BRACKET ASSY | 5.95 | |
| DDL239 | MICR SLEEVE | .50 | | DP205S | CLAMP NUT | .60 | |
| DDL240 | FRICT SPRING | .15 | | DP209 | ORDER AS 1010 | | |
| DDL241 | COLLAR | .35 | | DP211 | BASE | 8.65 | |
| DDL242 | STEEL PIN | .15 | | DP213 | ORDER 14 839 | | |
| DDL243 | LOWER BEARING | 1.00 | | DP214 | ORDER AS 1517 | | |
| DDL244 | UPPER BEARING | .95 | | DP215 | ORDER 14 841 | | |
| DDL245 | COLLAR | .20 | | DP216 | BRACKET | 2.30 | |
| DDL245S | COLLAR W SCR W | .30 | | DP216S | BRACKET ASSY | 5.45 | |
| DDL246 | FIBRE WASHER | .15 | | DP217S | ROD GUIDE | .20 | |
| DDL247 | BRACKET NUT | .60 | | DP219 | STUD | .20 | |
| DDL248 | STEEL PIN | .25 | | DP220 | HEAD CASTING | 9.30 | |
| DDL249 | ALIGNMT BAR | .75 | | DP220R | HEAD ASSEM | 9.80 | |
| DDL250 | SPEC SCREW | .15 | | DP221 | CLAMP NUT | .15 | |
| DDL251 | LOWER GIB | .15 | | DP222 | POINTER ROD | .50 | |
| DDL252 | UPPER GIB | .15 | | DP222S | ROD ASSEM | .65 | |
| DDL253 | SPEC SCREW | .15 | | DP223 | SPEC NUT | .15 | |
| DDL254 | SPEC T BOLT | .20 | | DP227 | ORDER AS 1020 | | |
| DDL255 | SPEC JAM NUT | .15 | | DP229 | CHAIN | 4.60 | |
| DDL256 | STEEL WASHER | .15 | | DP232S | RET SPRING | .65 | |
| DDL257 | SPEC SCREW | .20 | | DP233 | FEED HANDLE | .35 | |
| DDL258 | SPEC SCREW | .25 | | DP234S | PINION SHAFT | 2.65 | |
| DDL259 | DOWEL PIN | .15 | | DP235 | STUD | .15 | |
| DDL260 | DISC | .30 | | DP240 | QUILL | 3.60 | |
| DDL265 | ORDER AS 963A | | | DP240S | QUILL COMPLTE | 1 0.95 | |
| DDL265B | ORDER AS 964 | | | DP242 | SPANNER NUT | .25 | |
| DDL275 | TAILSTOK BASE | 1.75 | | DP244S | ORDER AS 991 | | |
| DDL276 | TAILSTOK BODY | 5.30 | | DP247SA | SPINDLE | 2.00 | |
| DDL276R | TAILSTOK ASSY | 1 6.95 | | DP248 | STEEL PIN | .15 | |
| DDL276R1 | TAILSTOK ASSY | 1 7.25 | | DP249 | COLLAR | .20 | |
| DDL277S | SHAFT W HANDL | .95 | | DP250 | DRIVE COLLAR | .60 | |
| DDL278 | U BOLT | .30 | | DP250S | DRIVE COLLAR | .70 | |
| DDL280S | ORDER AS 144 | | | DP253S | ORDER AS 974 | | |
| DDL281S | ORDER AS 145 | | | DP255S | ORDER AS 972 | | |
| DDL282 | JAM NUT | .15 | | DP255SA | SPINDLE | 1.50 | |
| DDL290 | ARBOR | 1.75 | | DP256S | PULLEY GUARD | 2.65 | |
| DDL291 | HEADSTOK BODY | 7.80 | | DP257S | PULLEY GUARD | 3.60 | |
| DDL291R | HEADSTOK ASSY | 2 7.85 | | DP258S | ORDER AS 977 | | |
| DDL292 | STDY RST BODY | 2.75 | | DP259 | SPEC NUT | .15 | |
| DDL293 | TAILSTOK BASE | 2.55 | | DP260S | ORDER AS 985 | | |
| DDL294 | CLAMP PLATE | .45 | | DP264 | PINION SLEEVE | 1.45 | |
| DDL295 | CLAMP PLATE | 1.25 | | DP265 | PULLEY | 3.20 | |
| DDL296 | SANDNG TABLE | 2.00 | | DP265S | PULLEY ASSEM | 1 1.45 | |
| DDL297 | CLAMP PLATE | 1.25 | | DP265T | PULLEY ASSEM | 9.95 | |
| DDL298 | CLAMP PLATE | 1.45 | | DP267 | CAP | .15 | |
| DDL299 | CLAMP PLATE | 1.05 | | DP270 | STOP COLLAR | .85 | |
| DDL300 | SPEC SCREW | .20 | | DP270S | COLLAR ASSY | 2.20 | |
| DDL301 | ALIGNMT KEY | .50 | | DP273 | STOP ROD | .60 | |
| DDL308 | TOP BOARD | 1 4.95 | | DP274 | KNURLED NUT | .25 | |
| DDL309 | SHELF BOARD | 1 4.95 | | DP276 | SPRING WASHER | .15 | |
| | | | | DP277 | BEARING | 4.60 | |
| | | | | DP278 | RETAINER | .25 | |
| | | | | DP279 | SPEC SCREW | .15 | |
| | | | | DP282 | SPEC SCREW | .15 | |
| | | | | DP283 | PULLEY | 5.25 | |
| | | | | DP283S | PULLEY COMP | 1 3.70 | |
| | | | | DP284 | RETAINER | .50 | |
| | | | | DP287 | BASE | 1 2.40 | |
| | | | | DP287R | BASE ASSEM | 1 3.70 | |
| | | | | DP288 | COLUMN CLAMP | .85 | |
| DP 4 | COLUMN | 2.45 | | | | | |
| DP 6 | STEEL WASHER | .15 | | | | | |
| DP 8 | INDEX PIN | .15 | | | | | |
| DP 11 | LOCK BOLT | .45 | | | | | |
| DP 12 | HEAD CASTING | 4.40 | | | | | |

DP

PARTS PRICE LIST

| PART NUMBER | DESCRIPTION | PRICE | | PART NUMBER | DESCRIPTION | PRICE | |
|-------------|---------------|-------|--|-------------|---------------|-------|--|
| | | LIST | | | | LIST | |
| DP290 | MOTOR PLATE | 1.40 | | DP608S | COVER | 1.25 | |
| DP290A | PLATE COMP | 2.50 | | DP609 | FLANGE | .55 | |
| DP290S | PLATE COMP | 2.50 | | QP610A | SPINDLE ASSY | 17.60 | |
| DP291 | STUD | .30 | | DP610S | QUILL ASSY | 31.00 | |
| DP300 | CHISEL HOLDER | 2.20 | | DP614 | PINION | 1.70 | |
| DP300S | HOLDER COMP | 2.60 | | DP615 | DRIVE SLEEVE | 2.30 | |
| DP305S | ORDER AS 975 | | | DP615R | QUILL ASSY | 30.05 | |
| DP308 | ORDER AS 1516 | | | DP616 | UPPER SPINDLE | 4.05 | |
| DP309S | ORDER AS 973 | | | DP617 | SPECIAL NUT | .15 | |
| DP312S | SPINDLE | 2.00 | | DP618A | PINION SHAFT | 4.30 | |
| DP316 | CHUCK | 9.90 | | DP619L | STEEL WASHER | .15 | |
| DP318 | STEEL WASHER | .15 | | DP620 | FIBRE WASHER | .15 | |
| DP322 | SHAPER COLLAR | .20 | | DP621 | ADJ SCREW | .35 | |
| DP323 | SHAPER COLLAR | .20 | | DP622 | GARTER SPRING | .20 | |
| DP324 | SHAPER COLLAR | .20 | | DP623 | SEGMENT KEY | .15 | |
| DP325 | SHAPER COLLAR | .20 | | DP625 | CLAMP NUT | .20 | |
| DP326 | SHAPER COLLAR | .25 | | DP626L | POINTER | .15 | |
| DP327 | SHAPER COLLAR | .30 | | DP626 | POINTER | .15 | |
| DP328 | SHAPER COLLAR | .25 | | DP628 | STOP ROD | 1.05 | |
| DP329 | SHAPER COLLAR | .25 | | DP629 | KNURLED NUT | .35 | |
| DP330 | ROD BRACKET | 1.25 | | DP630L | DEPT SCALE | .25 | |
| DP331 | STEEL PIN | .25 | | DP631 | HUB | 2.15 | |
| DP333 | FENCE | 1.45 | | DP631S | PILOT WHEEL | 3.80 | |
| DP340 | ADAPTOR | 1.65 | | DP632 | STUD | .30 | |
| DP340S | ORDER AS 978 | | | DP633L | RETURN SPRING | 1.35 | |
| DP342 | COLUMN FLANGE | 5.75 | | DP634 | PIN | .15 | |
| DP345 | STEEL PIN | .15 | | DP636S | SHAFT ASSEM | 2.30 | |
| DP350 | HOLDOWN ARM | 1.15 | | DP636P | SHAFT ASSEM | 2.50 | |
| DP366 | STEEL PIN | .15 | | DP637 | SLEEVE | .20 | |
| DP367 | HINGE | .70 | | DP638 | SPANNER NUT | .25 | |
| DP368 | BELT GUARD | 11.75 | | DP639 | COLLAR | .20 | |
| DP370 | BELT GUARD | 11.40 | | DP640F | COMPOUND GEAR | 4.95 | |
| DP371 | HINGE | .60 | | DP641S | RACK W HOOK | 4.45 | |
| DP372 | ORDER AS 1333 | | | DP645S | ORDER AS 1311 | | |
| DP373 | SHIM PLATE | .25 | | DP642 | SHAFT | .25 | |
| DP374 | COIL SPRING | .65 | | DP648S | THRUST BEARNG | 1.85 | |
| DP377S | SPINDLE | 3.00 | | DP650 | SPECIAL NUT | .25 | |
| DP380 | ORDER AS 1519 | | | DP651S | MOTOR PLATE | 5.05 | |
| DP381 | ORDER AS 1009 | | | DP652 | STUD | .55 | |
| DP382 | BEARING RACE | .25 | | DP653 | SHIM WASHER | .15 | |
| DP383 | BEARING RACE | .35 | | DP660A | BRACKET | 8.65 | |
| DP383S | BEARING | 2.30 | | DP660R | BRACKET COMP | 2.645 | |
| DP387 | BUSHING | .45 | | DP662 | TABLE | 17.40 | |
| DP388 | FEED ARM | 3.00 | | DP662S | TABLE COMP | 4.420 | |
| DP388S | FEED ARM COMP | 4.20 | | DP663S | CLAMP NUT | 1.00 | |
| DP390 | SLIDING ROD | 2.00 | | DP665 | SLEEVE | .35 | |
| DP391 | SET COLLAR | .60 | | DP666S | INDEX PIN | .75 | |
| DP391S | SET COLLAR | .85 | | DP667 | ORDER AS 1372 | | |
| DP392 | COIL SPRING | .30 | | DP671 | ORDER AS 1513 | | |
| DP393 | FINGER PLATE | .70 | | DP672S | ORDER AS 1506 | | |
| DP394 | FINGER PLATE | .60 | | DP675 | ORDER AS 1367 | | |
| DP395 | BRACKET | 4.90 | | DP676 | FLANGE | 7.75 | |
| DP396 | LEVER | 1.50 | | DP677 | BASE | 31.35 | |
| DP397 | PIVOT SHAFT | .75 | | DP678 | COLLAR | 2.10 | |
| DP398 | ROD | .50 | | DP678S | COLLAR ASSY | 2.50 | |
| DP399 | STEEL WASHER | .15 | | DP680 | ORDER AS 1368 | | |
| DP400 | HEAD CASTING | 5.65 | | DP685A | BRACKET | 5.15 | |
| DP410 | HOOK BOLT | .70 | | DP686 | LEVER | 4.30 | |
| DP411 | FLANGE | .60 | | DP687 | GEAR SECTOR | 4.75 | |
| DP413 | CLIP W NUTS | .60 | | DP688 | SPLINED SHAFT | 2.85 | |
| DP415 | SUPPORT PLUG | 2.55 | | DP689 | TREADLE | 1.00 | |
| DP417 | STEEL SHAFT | .95 | | DP690 | PIVOT SHAFT | 2.10 | |
| DP420 | STOP COLLAR | 1.75 | | DP691 | SPRING | 1.30 | |
| DP421 | SCREW | .15 | | DP692 | TREADLE LEVER | 1.80 | |
| DP438S | BRKT W SCREWS | 2.45 | | DP693 | CLEVIS | .60 | |
| DP439 | BRACKET | 2.20 | | DP694 | STEEL PIN | .15 | |
| DP440 | SUPPORT PLUG | 2.85 | | DP695 | ROD | .65 | |
| DP441 | COIL SPRING | 5.20 | | DP696S | SLEEVE | 2.40 | |
| DP443 | FLANGE | .60 | | DP698 | FIBRE WASHER | .15 | |
| DP444 | SHAFT | .25 | | DP699 | NAME PLATE | .30 | |
| DP447 | ORDER 11 806 | | | DP700A | SPINDLE ASSY | 12.05 | |
| DP454 | SHEAVE | 2.85 | | DP700S | QUILL ASSY | 40.85 | |
| DP455S | SPINDLE | 3.35 | | DP704 | HOG RING | .15 | |
| DP600Z | HEAD CASTING | 32.40 | | DP710 | CLOSURE PLATE | .25 | |
| DP601 | COLUMN CLAMP | 5.20 | | DP712 | BASE | 3.25 | |
| DP602 | PULLEY GUARD | 4.30 | | DP713 | ARM | 2.25 | |
| DP603 | QUILL | 9.70 | | DP714S | CHISEL HOLDER | 2.95 | |
| DP604 | STOP COLLAR | 1.70 | | DP715 | BRACKET | 1.65 | |
| DP604P | ROD ASSY | 4.45 | | DP716 | STEEL PIN | .55 | |
| DP604S | ROD COMPLETE | 3.80 | | DP717 | FACE PLATE | 1.65 | |
| DP607L | HOUSING W HUB | 1.75 | | DP719 | ORDER AS 1514 | | |
| DP607S | RETURN SPRING | 3.15 | | DP721 | STEEL WASHER | .15 | |

PARTS PRICE LIST

| PART NUMBER | DESCRIPTION | PRICE | | PART NUMBER | DESCRIPTION | PRICE | |
|-------------|----------------|---------|--|-------------|---------------|--------|--|
| | | LIST | | | | LIST | |
| FJ318 | SPECIAL NUT | .20 | | HBS737S | WHEEL GUARD U | 1.85 | |
| FJ319 | SCALE | .55 | | HBS750S | BASE W BUSHNG | 1 6.65 | |
| FJ321 | GIB | .15 | | HBS751 | FRAME ARM | 6.65 | |
| FJ322 | BRACKET NUT | 1.45 | | HBS752 | WHEEL GUARD L | 1.65 | |
| FJ324 | HANDLE BALL | .25 | | | | | |
| FJ325 | SCALE | .25 | | | | | |
| FS | | | | | | | |
| FS 1S | 5 CASE | 1 5.55 | | HCS502 | TILTING TABLE | 2 4.80 | |
| FS 2S | 6 CASE | 17.85 | | HCS505 | COVER PLATE | 1.15 | |
| FS 3S | 5 CORE | 6.90 | | HCS506 | SCREW | 2.30 | |
| FS 4S | 6 CORE | 8.05 | | HCS507 | SHAFT | .45 | |
| FS 6 | BEARING | 2.60 | | HCS508 | SPIRAL GEAR | 3.45 | |
| FS 7 | HOUSING | 1.45 | | HCS509 | THRUST WASHER | .25 | |
| FS 7S | CONNECTION | 5.75 | | HCS510 | STEEL WASHER | .15 | |
| FS 7X | CONNECTION | 5.75 | | HCS512 | FIBRE WASHER | .15 | |
| FS 8 | SNAP RING | .25 | | HCS513 | BAFFLE PLATE | .35 | |
| FS 9 | SNAP RING | .20 | | HCS514S | BRACKET | 1.70 | |
| FS 10 | SPINDLE | 1.45 | | HCS515 | CLAMP PLATE | .30 | |
| FS 12 | SPINDLE | 1.45 | | HCS516 | SPLITTER | 1.05 | |
| FS 14 | HOUSING | 2.45 | | HCS524 | STEEL PIN | .20 | |
| FS 14S | HANDPIECE | 1 10.35 | | HCS528 | STEEL WASHER | .15 | |
| FS 15 | SPINDLE | 2.60 | | HCS529 | AS 20 828 | | |
| FS 16 | BEARING | 1.90 | | HCS530 | AS 20 827 | | |
| FS 17 | BEARING | 2.05 | | HCS532 | POINTER ROD | .25 | |
| FS 18 | SPACER | .25 | | HCS543S | CLAMP SCREW | .65 | |
| FS 19 | KEY | .20 | | HCS544 | BUTTON | .30 | |
| FS 20 | BALL VALVE | .20 | | HCS556 | SCALE | .25 | |
| FS 21 | FLANGE | .35 | | HCS557S | WORM W SHAFT | 1.75 | |
| H | | | | | | | |
| H 1 | HANGER FRAME | 2.95 | | HCS559 | STEEL WASHER | .15 | |
| H 2S | BLOCK W BUSH | 2.45 | | HCS560 | POINTER ROD | .15 | |
| H 5 | COLLAR | .35 | | HCS561 | COLLAR | .25 | |
| H 5S | COLLAR W SCRW | .50 | | HCS561S | COLLAR W SCRW | .50 | |
| H 11 | FIBRE WASHER | .15 | | HCS562 | ARM | .30 | |
| H 16 | FLANGE | 1.35 | | HCS566 | SPEC WASHER | .15 | |
| H 16S | FLANGE W SCRW | 1.50 | | HCS567 | BUSHING | .35 | |
| H 17 | COUPLING DISK | .85 | | HCS567S | BUSHING | 1.00 | |
| HBS | | | | | | | |
| HBS702 | TILTING TABLE | 3.75 | | HCS568 | PINION | 3.45 | |
| HBS703 | BRACKET | 1.30 | | HCS570 | SPEC NUT | .30 | |
| HBS704 | HINGE | .45 | | HCS571 | STAR WHEEL | .45 | |
| HBS705 | MOUNTING PLATE | .75 | | HCS572S | PINION SHAFT | .90 | |
| HBS706S | TENSION SCREW | .90 | | | | | |
| HBS707 | SHAFT | .45 | | | | | |
| HBS708 | STEEL PIN | .15 | | | | | |
| HBS709S | SHAFT ASSY | 1.05 | | | | | |
| HBS710 | GUIDE POST | 1.15 | | | | | |
| HBS711 | GUIDE BRKT | .50 | | | | | |
| HBS711R | GUIDE COMP UP | 2.45 | | | | | |
| HBS712 | BRACKET | .45 | | | | | |
| HBS712S | GUIDE COMP L | 2.45 | | | | | |
| HBS714S | SUPPORT BRG | .60 | | | | | |
| HBS715S | CLAMP SHOE | .95 | | | | | |
| HBS716 | GUARD | .65 | | | | | |
| HBS716S | GUARD ASSY | 1.00 | | | | | |
| HBS717 | BUSHING | .20 | | | | | |
| HBS718 | BUSHING | .20 | | | | | |
| HBS719 | SLEEVE | .25 | | | | | |
| HBS720S | UPPER WHEEL | 8.60 | | | | | |
| HBS721S | LOWER WHEEL | 7.40 | | | | | |
| HBS722 | FIBRE WASHER | .15 | | | | | |
| HBS723 | COLLAR | .25 | | | | | |
| HBS724 | FIBRE WASHER | .15 | | | | | |
| HBS725 | STEEL WASHER | .15 | | | | | |
| HBS726 | BLADE GUARD | .20 | | | | | |
| HBS729 | THUMB SCREW | .15 | | | | | |
| HBS730 | SPEC SCREW | .15 | | | | | |
| HBS731 | DOWEL PIN | .15 | | | | | |
| HCS | | | | | | | |
| | | | | HCS502 | TILTING TABLE | 2 4.80 | |
| | | | | HCS505 | COVER PLATE | 1.15 | |
| | | | | HCS506 | SCREW | 2.30 | |
| | | | | HCS507 | SHAFT | .45 | |
| | | | | HCS508 | SPIRAL GEAR | 3.45 | |
| | | | | HCS509 | THRUST WASHER | .25 | |
| | | | | HCS510 | STEEL WASHER | .15 | |
| | | | | HCS512 | FIBRE WASHER | .15 | |
| | | | | HCS513 | BAFFLE PLATE | .35 | |
| | | | | HCS514S | BRACKET | 1.70 | |
| | | | | HCS515 | CLAMP PLATE | .30 | |
| | | | | HCS516 | SPLITTER | 1.05 | |
| | | | | HCS524 | STEEL PIN | .20 | |
| | | | | HCS528 | STEEL WASHER | .15 | |
| | | | | HCS529 | AS 20 828 | | |
| | | | | HCS530 | AS 20 827 | | |
| | | | | HCS532 | POINTER ROD | .25 | |
| | | | | HCS543S | CLAMP SCREW | .65 | |
| | | | | HCS544 | BUTTON | .30 | |
| | | | | HCS556 | SCALE | .25 | |
| | | | | HCS557S | WORM W SHAFT | 1.75 | |
| | | | | HCS559 | STEEL WASHER | .15 | |
| | | | | HCS560 | POINTER ROD | .15 | |
| | | | | HCS561 | COLLAR | .25 | |
| | | | | HCS561S | COLLAR W SCRW | .50 | |
| | | | | HCS562 | ARM | .30 | |
| | | | | HCS566 | SPEC WASHER | .15 | |
| | | | | HCS567 | BUSHING | .35 | |
| | | | | HCS567S | BUSHING | 1.00 | |
| | | | | HCS568 | PINION | 3.45 | |
| | | | | HCS570 | SPEC NUT | .30 | |
| | | | | HCS571 | STAR WHEEL | .45 | |
| | | | | HCS572S | PINION SHAFT | .90 | |
| HDS | | | | | | | |
| | | | | HDS101 | TABLE | 3.90 | |
| | | | | HDS102 | BASE | 4.75 | |
| | | | | HDS103 | DISC | 3.40 | |
| | | | | HDS104 | HAND KNOB | .35 | |
| | | | | HDS105 | SHAFT | .45 | |
| | | | | HDS106 | STUD | .15 | |
| | | | | HDS107 | SCALE | .15 | |
| | | | | HDS108 | SEGMENT | .45 | |
| | | | | HDS109 | BEARINGS | .35 | |
| | | | | HDS110 | WASHERS | .15 | |
| | | | | HDS111 | POINTER | .15 | |
| HDP | | | | | | | |
| | | | | HDP101 | TABLE | 6.10 | |
| | | | | HDP102A | QUILL | 3.70 | |
| | | | | HDP102S | QUILL ASSY | 4.80 | |
| | | | | HDP104 | COLLAR | .60 | |
| | | | | HDP105 | HOG RING | .15 | |
| | | | | HDP107S | SET COLLAR | .60 | |
| | | | | HDP109 | FIBRE WASHER | .15 | |
| | | | | HDP112 | SPINDL PULLEY | 2.90 | |
| | | | | HDP113 | STOP ROD | .55 | |
| | | | | HDP113S | COLLAR COMP | 2.10 | |
| | | | | HDP114 | BUSHING | .20 | |
| | | | | HDP115A | SPINDLE | 1.70 | |
| | | | | HDP115S | ORDER AS 972 | | |
| | | | | HDP118S | ORDER AS 977 | | |
| | | | | HDP120S | ORDER AS 974 | | |
| | | | | HDP122 | FIBER WASHER | .15 | |
| | | | | HDP124A | SPINDLE | 1.90 | |

PARTS PRICE LIST

| PART NUMBER | DESCRIPTION | PRICE | | PART NUMBER | DESCRIPTION | PRICE | |
|-------------|---------------|-------|--|-------------|----------------|-------|--|
| | | LIST | | | | LIST | |
| HDP124S | AS 10 800 | | | HOS102 | BASE | 8.90 | |
| HDP125 | HEAD CASTING | 7.90 | | HOS102R | BASE ASSY | 9.55 | |
| HDP126S | PULLEY GUARD | 3.15 | | HOS103 | ORDER 34 904 | | |
| HDP127 | BENCH BASE | 6.70 | | HOS104 | GUARD PLATE | .35 | |
| HDP128 | STUD | .25 | | HOS105 | GUIDE POST | .35 | |
| HDP129 | BEARING | 2.85 | | HOS107 | CLAMP | .35 | |
| HDP129S | PULLEY | 9.35 | | HOS108 | SPLITTER | .45 | |
| HDP130 | BUSHING | .25 | | HOS109 | PINION SHAFT | 1.85 | |
| HDP131A | SPINDLE | 1.45 | | HOS111S | ARBOR | 1.70 | |
| HDP131S | AS 11 800 | | | HOS117 | RAISING SCREW | .45 | |
| HDP132 | CHUCK | 6.90 | | HOS120 | SCALE | .15 | |
| HDP133 | NAME PLATE | .20 | | HOS121 | SCALE | .20 | |
| HDP134 | AS 11 807 | | | HOS122 | FELT WASHER | .30 | |
| HDP135 | AS 11 808 | | | HOS123 | ORDER 34 906 | | |
| HDP138S | BASE ASSEM | 6.70 | | HOS124 | ORDER 34 905 | | |
| HDP145S | IDLER ASSEM | 5.50 | | HOS125 | GAGE BODY | 1.70 | |
| | | | | HOS126 | FENCE BODY | 1.60 | |
| | HJ | | | HOS127 | CLAMP BLOCK | 1.50 | |
| IU 4 | FENCE BODY | 4.50 | | HOS127R | CLAMP ASSY | 4.50 | |
| IU 4S | FENCE COMP | 14.80 | | HOS127S | FENCE COMP | 5.75 | |
| IU 5 | FENCE SEGMENT | 2.75 | | HOS128 | STEEL PIN | .15 | |
| IU 5S | SEGMENT ASSEM | 2.90 | | HOS129S | CLAMP SCREW | .50 | |
| IU 6 | CROSS SLIDE | 1.70 | | HOS131 | GUARD BASKET | 1.80 | |
| IU 6S | SLIDE ASSEM | 2.90 | | HOS132 | PLATE | .15 | |
| IU 7 | SCALE | .70 | | HOS133S | COLLAR W SCR W | .50 | |
| IU 8 | STUD | .25 | | HOS134 | FIBRE WASHER | .15 | |
| IU 9 | NUT | .35 | | HOS136 | SPEC SCREW | .15 | |
| IU 10 | AS 37 802 | | | HOS137 | SPRING | .15 | |
| IU 12 | HAND KNOB | .60 | | HOS139 | SHIM WASHER | .15 | |
| | | | | HOS140 | SCREW | .15 | |
| | | | | HOS141A | FR TRUNNION | .30 | |
| | | | | HOS141S | REAR TRUNNION | .25 | |
| | | | | | | | |
| | HL | | | | HSS | | |
| HL600 | LATHE BED | 30.25 | | HSS501 | FRAME | 14.10 | |
| HL601A | HEADSTOCK | 3.75 | | HSS502 | TILTING TABLE | 4.95 | |
| HL601S | HEADSTOK ASSY | 14.95 | | HSS502S | TABLE ASSY | 8.25 | |
| HL602 | BODY | 4.50 | | HSS503 | BRACKET | 1.80 | |
| HL602S | TAILSTOK ASSY | 6.60 | | HSS504 | CLAMP SHOE | .30 | |
| HL603R | SPINDLE | 9.70 | | HSS504S | CLAMP SHOE | .55 | |
| HL604 | BUSHING | .25 | | HSS505A | COVER | 1.50 | |
| HL605 | BUSHING | .25 | | HSS505S | COVER W SHAFT | 3.60 | |
| HL607 | INDEX PIN | .25 | | HSS506 | COVER | 1.05 | |
| HL608S | PULLEY | 2.90 | | HSS507 | CROSS HEAD | .50 | |
| HL609 | ORDER 46 826 | | | HSS507S | HEAD W SCREW | 1.30 | |
| HL610S | ORDER 46 820 | | | HSS509S | DRIVE SHAFT | 1.50 | |
| HL611 | QUILL | 1.05 | | HSS510 | PIN | .60 | |
| HL612 | QUILL SCREW | .50 | | HSS512 | BUSHING | .25 | |
| HL613S | ORDER 46 821 | | | HSS513 | STEEL WASHER | .15 | |
| HL614 | CLAMP PLATE | .25 | | HSS515 | BUSHING | .25 | |
| HL614A | CLAMP ASSEM | 1.15 | | HSS518 | PULLEY GUARD | 1.05 | |
| HL614S | CLAMP ASSEM | 1.15 | | HSS523 | GUIDE POST | .50 | |
| HL615 | ORDER 46 825 | | | HSS524 | BRACKET | .45 | |
| HL616S | ORDER 46 823 | | | HSS524S | GUIDE ASSY | 1.50 | |
| HL617S | ORDER 46 824 | | | HSS525 | AIR NOZZLE | .25 | |
| HL618S | ORDER 46 822 | | | HSS526 | FIBRE WASHER | .15 | |
| HL619 | BODY | 2.30 | | HSS527 | CUP WASHER | .20 | |
| HL622 | SPECIAL NUT | .25 | | HSS528 | GUIDE | .25 | |
| HL623 | SPECIAL NUT | .15 | | HSS529 | SPEC SCREW | .15 | |
| HL624S | LATHE BED | 33.65 | | HSS532 | THUMB SCREW | .25 | |
| HL625A | HEADSTOCK | 6.00 | | HSS533 | STUD | .20 | |
| HL625S | HEADSTOK ASSY | 19.40 | | HSS534 | THUMB SCREW | .15 | |
| HL626 | BODY | 4.75 | | HSS535 | FIBRE WASHER | .15 | |
| HL626S | TAILSTOK ASSY | 8.35 | | HSS540 | CASING | 1.50 | |
| HL627 | BODY | 1.30 | | HSS540S | CASING ASSY | 4.50 | |
| HL628 | PLATE | .50 | | HSS541 | BRACKET | .50 | |
| HL631 | INDEX PIN | .55 | | HSS541S | GUIDE ASSY | 1.50 | |
| HL632 | NAME PLATE | .20 | | HSS542 | GUIDE POST | .35 | |
| HL633 | NAME PLATE | .15 | | HSS544S | DRIVE SHAFT | 1.50 | |
| HL634 | ARBOR | 2.10 | | HSS552 | FRAME | 18.90 | |
| HL636 | BODY | 1.15 | | HSS553 | PULLEY GUARD | 1.05 | |
| HL637 | NAME PLATE | .20 | | | | | |
| | | | | | | | |
| | HOS | | | | J | | |
| HOS100R | TILTING TABLE | 15.85 | | J 5 | FENCE SEGMENT | .35 | |
| HOS101 | BRACKET | 6.35 | | J 5S | SEGMENT ASSY | 1.45 | |
| HOS101R | BRKT W SCALE | 6.65 | | J 7 | HAND KNOB | .60 | |

PARTS PRICE LIST

| PART NUMBER | DESCRIPTION | PRICE | | PART NUMBER | DESCRIPTION | PRICE | |
|-------------|---------------|-------|--|-------------|---------------|--------|--|
| | | LIST | | | | LIST | |
| L 8 | STUD | .35 | | JA 51S | KEY PLUG ASSY | .50 | |
| L 9S | LOCK BOLT | .35 | | JA 52S | BLOCK ASSY | 1.50 | |
| L 11 | STUD | .20 | | JA 53 | SPRING | .30 | |
| L 12 | SPRING WASHER | .15 | | JA 54 | CLAMP COLLAR | .35 | |
| L 13S | GUARD ASSY | 1.90 | | JA 55 | ORDER 37 305 | | |
| L 14 | STEEL PIN | .15 | | JA 57 | CLAMP NUT | 1.25 | |
| L 15 | COIL SPRING | .50 | | JA 58 | BUSHING | 1.00 | |
| L 17S | PULLEY | 1.30 | | JA 60 | PIVOT SHAFT | 2.25 | |
| L 19 | STOP LINK | .15 | | JA 61 | GIB | .70 | |
| L 21 | ORDER 37 802 | | | JA 62 | GRIND WHEEL | 2.95 | |
| L 22 | LOCK BAR | .55 | | JA 63 | STONE | 2.05 | |
| L 23 | SPEC SCREW | .15 | | JA 64 | STONE CLAMP | .65 | |
| L 31R | HEAD ASSY | 15.50 | | JA 65 | GIB | .70 | |
| L 32 | BEARNG HOUSNG | .75 | | JA 66 | COLLAR SCREW | .25 | |
| L 33 | BEARNG HOUSNG | .75 | | JA 67 | FEED SCREW | .85 | |
| L 35 | STEEL PIN | .20 | | JA 67S | SCREW ASSY | 6.85 | |
| L 36S | LOCK BOLT | .50 | | JA 68 | STOP PIN | .20 | |
| L 39 | FELT WASHER | .30 | | JA 69 | STOP | 1.10 | |
| L 40 | WRENCH | .15 | | JA 70 | ORDER JA70 S | | |
| L 42 | STEEL PIN | .15 | | JA 70S | ADAPTER ASSY | 3.50 | |
| L 44 | SPEC SCREW | .15 | | JA 71 | NUT | 2.70 | |
| L 48 | SPEC WASHER | .30 | | JA 72 | RAIL SLIDE | 8.40 | |
| L 160 | SCREW | .15 | | JA 73 | STONE HOLDER | 5.20 | |
| | JA | | | JA 73S | HOLDER ASSY | 15.50 | |
| | | | | JA 74 | BEARING | 4.05 | |
| JA 1 | CENTER PANEL | 39.05 | | JA 75 | SLIDE HOLDER | 12.60 | |
| JA 1S | PANEL ASSY | 90.30 | | JA 76 | RAIL | 10.00 | |
| JA 2 | REAR PANEL | 37.45 | | JA 76S | RAIL ASSY | 77.90 | |
| JA 3 | MOTOR COVER | 15.75 | | JA 77 | ORDER JA 77 S | | |
| JA 4 | NOT SOLD | | | JA 77S | BRKT ASSY | 5.00 | |
| JA 5 | NOT SOLD | | | JA 78 | ORDER JA 78 S | | |
| JA 6 | FENCE BASE | 6.65 | | JA 78S | BRKT ASSY | 5.00 | |
| JA 6S | BASE ASSY | 15.25 | | JA 79 | MOTOR SLIDE | 10.00 | |
| JA 7 | FENCE BOARD | 25.05 | | JA 79S | SLIDE ASSY | 28.25 | |
| JA 7S | FENCE ASSY | 80.30 | | JA 80 | HAND WHEEL | .95 | |
| JA 8 | FENCE SUPPORT | 13.25 | | JA 81 | ORDER JA 81 S | | |
| JA 9 | ROCKER ARM | 5.95 | | JA 81S | COLLAR ASSY | .90 | |
| JA 9S | ARM ASSEMBLY | 31.50 | | JA 82S | SCREW ASSY | 2.30 | |
| JA 10S | SHAFT ASSY | 3.70 | | JA 83S | MOTOR W PLATE | 100.85 | |
| JA 11 | SPIRAL GEAR | 4.10 | | JA 84S | HANDLE | 7.40 | |
| JA 14 | PIVOT SHAFT | 2.20 | | JA 87S | WRENCH | 1.00 | |
| JA 16 | KEY | 1.30 | | JA 89 | PIN | .25 | |
| JA 17 | HINGE | .65 | | | L | | |
| JA 18 | SHAFT | 2.90 | | L 13 | HANDLE | .20 | |
| JA 19 | BUSHING | .60 | | L 24 | CENTER POINT | .15 | |
| JA 19S | BUSHING ASSY | 3.60 | | L 30S | ARBOR | 1.65 | |
| JA 20A | HOLDER | 3.35 | | L 31 | SPEC NUT | .15 | |
| JA 20S | HOLDER ASSY | 5.50 | | L 47S | SAME AS 192 | | |
| JA 21 | SCALE | .50 | | L 51 | ORDER AS 140 | | |
| JA 22 | POINTER | .60 | | L 68 | FERRULE | .15 | |
| JA 23 | GUARD | 6.60 | | L 69 | CHISEL BLADE | 2.15 | |
| JA 23S | GUARD ASSEM | 8.00 | | L 70 | CHISEL BLADE | 2.00 | |
| JA 24 | GUARD PIN | .55 | | L 71 | PART BLADE | 2.15 | |
| JA 25 | F BRG HOLDER | 4.25 | | L 72 | CHISEL BLADE | 3.30 | |
| JA 25S | HEAD ASSEM | 7.00 | | L 73 | CHISEL BLADE | 3.30 | |
| JA 26 | R BRG HOLDER | 4.25 | | L 74 | CHISEL BLADE | 2.50 | |
| JA 27 | F BRG CAP | 7.20 | | L 75 | CHISEL BLADE | 2.00 | |
| JA 28 | TABLE SCREW | 1.95 | | L 76 | CHISEL BLADE | 2.50 | |
| JA 28S | SCREW ASSEM | 6.50 | | | LBS | | |
| JA 29 | MOTOR PLATE | 6.20 | | LBS 4 | STOP ROD | .60 | |
| JA 30S | BAR ASSY | 1.75 | | LBS 5 | BASE | 24.75 | |
| JA 31 | COLLAR | .25 | | LBS 6 | BASE | 30.35 | |
| JA 32 | PULLEY GUARD | 4.55 | | LBS 10 | BRACKET | 3.40 | |
| JA 33 | DUST CHUTE | 5.20 | | LBS 10S | BRKT ASSY | 12.75 | |
| JA 34 | ARM | 7.10 | | LBS 26 | FRAME ARM | 13.00 | |
| JA 39S | HANDWHEEL | 2.50 | | LBS 27 | GROMMET | .15 | |
| JA 40 | SPRING | .30 | | LBS 28 | BLOCK | 4.95 | |
| JA 41 | NOT SOLD | | | LBS 52 | TRUNNION HALF | .25 | |
| JA 41S | FRAME ASSEM | 96.50 | | LBS 54 | SCALE | .45 | |
| JA 43 | COLLAR | 1.65 | | LBS 55 | PIN | .35 | |
| JA 44 | CLAMP STUD | 1.65 | | LBS 56 | INSERT | .25 | |
| JA 44S | STUD ASSEM | 3.60 | | LBS 56B | INSERT | .25 | |
| JA 45 | LOWER WEDGE | 1.20 | | LBS 56C | INSERT | .25 | |
| JA 46 | UPPER WEDGE | 1.20 | | | | | |
| JA 47 | NUT | 1.75 | | | | | |
| JA 48 | STOP COLLAR | .80 | | | | | |
| JA 49 | NAME PLATE | .50 | | | | | |
| JA 50 | TABLE NUT | 1.10 | | | | | |

PARTS PRICE LIST

| PART NUMBER | DESCRIPTION | PRICE | | PART NUMBER | DESCRIPTION | PRICE | |
|-------------|----------------|-------|--|-------------|---------------|-------|--|
| | | LIST | | | | LIST | |
| LBS 58 | TILTING TABLE | 11.05 | | LBS216S | SHAFT ASSEM | 16.80 | |
| LBS 58R | TABLE ASSY | 16.00 | | LBS217 | KEY | .15 | |
| LBS 60 | TRUNNION | .60 | | LBS219 | COIL SPRING | .15 | |
| LBS 60A | TRUNNION | .85 | | LBS220 | SET COLLAR | .50 | |
| LBS 60S | TRUNNION | .85 | | LBS220S | COLLAR W SCRW | .60 | |
| LBS 61 | CLAMP SHOE | .25 | | LBS221 | COLLAR | .30 | |
| LBS 62 | SCALE | .20 | | LBS222 | PLUG | .15 | |
| LBS 63 | RIVET | .15 | | LBS223 | NAME PLATE | 1.25 | |
| LBS 77 | DRIVE COLLAR | .30 | | LBS225 | SIDE PANEL | 13.30 | |
| LBS 78 | STEEL WASHER | .15 | | LBS226 | SIDE PANEL | 12.55 | |
| LBS 81 | TIRE | 1.40 | | LBS227 | END PANEL | 13.10 | |
| LBS 85 | DRIVE SHAFT | 2.50 | | LBS228 | END PANEL | 6.20 | |
| LBS 85CS | DRIVE SHAFT | 3.65 | | LBS229 | MOTOR PLATE | 1.30 | |
| LBS 86 | SPEC NUT | .60 | | LBS230 | COLLAR | .15 | |
| LBS 91S | WHEEL W TIRE | 9.80 | | LBS231 | DUST CHUTE | 2.90 | |
| LBS 92R | WHEEL W TIRE | 9.80 | | LBS233 | NAME PLATE | .35 | |
| LBS101 | HINGE | .65 | | LBS239 | JAW | 3.40 | |
| LBS102 | BRACKET | 1.85 | | LBS240 | GUIDE BAR | .85 | |
| LBS102S | BRKT ASSY | 4.10 | | LBS241 | GUIDE RAIL | 1.25 | |
| LBS103 | STEEL PIN | .20 | | LBS242 | SLEEVE | .55 | |
| LBS104S | TENSION SCREW | .75 | | LBS243 | STUD | .20 | |
| LBS105 | COIL SPRING | .15 | | LBS244S | FEED SCREW | 1.15 | |
| LBS106 | THUMB SCREW | .25 | | LBS246 | NUT | .65 | |
| LBS108 | SPRING CLIP | .15 | | LBS247 | PIVOT BLOCK | 1.25 | |
| LBS109 | SLEEVE | .25 | | LBS248 | STUD | .55 | |
| LBS110 | SHAFT | .50 | | LBS249 | HALF NUT | .50 | |
| LBS111 | SPEC NUT | .20 | | LBS250 | FLANGE | 1.75 | |
| LBS112 | FIBRE WASHER | .15 | | LBS252 | COLLAR | .20 | |
| LBS126 | GUIDE POST | 1.05 | | LBS254A | GUARD COVER | 6.90 | |
| LBS127 | BRACKET | 1.25 | | LBS255 | GUARD PAN | 4.60 | |
| LBS127S | GUIDE ASSY U | 5.90 | | LBS255S | ORDER AS 893 | | |
| LBS128 | HEXAGON SHAFT | .50 | | LBS257 | STUD | .20 | |
| LBS129 | SPEC SCREW | .15 | | LBS260 | SUPPORT BLOCK | .35 | |
| LBS130 | NUT | .25 | | LBS261 | INSERT | .25 | |
| LBS131 | BRACKET | .50 | | | | | |
| LBS131S | BRKT ASSY | 1.15 | | | LCS | | |
| LBS132 | GUIDE BLOCK | .25 | | | | | |
| LBS140 | GUIDE POST | 1.65 | | | | | |
| LBS152 | BRACKET | .75 | | LCS 7 | BUSHING | .90 | |
| LBS153 | GUIDE BLOCK | .25 | | LCS 8 | FLANGE | .15 | |
| LBS160 | BRACKET | 2.20 | | | | | |
| LBS160S | GUIDE ASSY L | 6.75 | | | LSR | | |
| LBS161 | WEDGE | .15 | | | | | |
| LBS162 | LINK | .20 | | | | | |
| LBS163 | SHAFT | .45 | | | | | |
| LBS164 | SLEEVE | .25 | | | | | |
| LBS165 | STEEL RAIL | .50 | | | | | |
| LBS166 | COIL SPRING | .15 | | LSR 2R | BRKT W NUT | 17.25 | |
| LBS167S | ADJ SCREW | .50 | | LSR 3R | BRKT W BUSHNG | 7.20 | |
| LBS168 | HAND KNOB | .25 | | LSR 4 | MOTOR PLATE | 2.45 | |
| LBS169 | SET COLLAR | .25 | | LSR 5S | COLUMN | 9.10 | |
| LBS169S | COLLAR W SCRW | .30 | | LSR 7 | BUSHING | .25 | |
| LBS170 | FIBRE WASHER | .15 | | LSR 8 | RETAINER | .15 | |
| LBS177 | HAND KNOB | .25 | | LSR 9 | STEEL PIN | .55 | |
| LBS179 | BRACKET | .15 | | LSR 10 | BUMPER | .25 | |
| LBS180 | BLADE GUARD | .30 | | LSR 12 | GUIDE SLEEVE | .60 | |
| LBS182 | BLADE GUARD | 1.30 | | LSR 13S | SCREW W GEAR | 3.95 | |
| LBS182S | EXTENSION ASSY | 1.45 | | LSR 14 | COLLAR | .25 | |
| LBS186 | WHEEL GUARD | 2.80 | | LSR 15 | COVER PLATE | .25 | |
| LBS187S | GUARD COVER | 3.30 | | LSR 16R | PINION SHAFT | 5.40 | |
| LBS188 | STUD | .50 | | LSR 17 | INSERT | .85 | |
| LBS189 | GUARD PAN | 2.50 | | LSR 18 | FLANGE | .35 | |
| LBS191 | GUARD | 1.25 | | LSR 19 | TUBE | .25 | |
| LBS191S | GUARD ASSEM | 1.30 | | LSR 21 | NUT | .60 | |
| LBS192 | GUARD | 1.05 | | LSR 22 | FLANGE | .15 | |
| LBS192S | GUARD ASSEM | 1.35 | | LSR 23 | LOCKWASHER | .15 | |
| LBS195 | STUD | .25 | | LSR 24 | TIE ROD | .45 | |
| LBS200S | FENCE COMP | 9.10 | | LSR 25 | SPECIAL NUT | .20 | |
| LBS200W | FENCE BODY | 2.90 | | LSR 27 | SPINDLE | 2.65 | |
| LBS203 | GEAR CASE | 7.05 | | LSR 27S | SPINDLE ASSEM | 5.20 | |
| LBS203S | CASE COMP | 31.70 | | LSR 29 | SPECIAL NUT | .65 | |
| LBS204 | COVER | 2.05 | | LSR 30 | LOCKWASHER | .15 | |
| LBS205 | GASKET | .15 | | LSR 31 | COLLAR | .35 | |
| LBS206 | GEAR | 6.50 | | LSR 32 | PULLEY | 1.80 | |
| LBS207 | SHIFT YOKE | .75 | | LSR 33 | BUSHING | .15 | |
| LBS209 | PINION | 1.75 | | LSR 34 | BUSHING | .25 | |
| LBS211 | COLLAR | .20 | | LSR 35 | SWITCH PLATE | .20 | |
| LBS212 | PINION SHAFT | 3.60 | | LSR 37 | SCALE PLATE | .75 | |
| LBS213S | SHAFT | 2.55 | | LSR 37S | PLATE W SCALE | .95 | |
| LBS214 | HANDLE | .25 | | LSR 38 | FACE PLATE | .85 | |
| LBS215 | COLLAR | .25 | | LSR 39 | FACE PLATE | .85 | |
| LBS216A | SHAFT | 5.25 | | LSR 40 | SAME AS 1520 | | |

PARTS PRICE LIST

| PART NUMBER | DESCRIPTION | PRICE | | PART NUMBER | DESCRIPTION | PRICE | |
|-------------|---------------|-------|--|-------------|---------------|-------|--|
| | | LIST | | | | LIST | |
| LSR 45 S | CABINET BODY | 28.45 | | LTA467 | BUSHING | .30 | |
| LSR 49 | BASE | 12.50 | | LTA468 | CLAMP ROD | .30 | |
| LSR 50 | BRACKET | 2.90 | | LTA469 S | PULLEY | 4.60 | |
| LSR 51 | COLLAR | .25 | | LTA470 S | CABINET BODY | 28.35 | |
| LSR 52 | COLLAR | .50 | | LTA474 | ORDER AS 1454 | | |
| LSR 53 | COLLAR | .55 | | LTA476 | COLLAR | .90 | |
| LSR 54 | COLLAR | .60 | | LTA477 | COLLAR | .95 | |
| LSR 55 | ORDER AS 1347 | | | LTA478 | PLATE | 1.85 | |
| LSR 56 | ORDER AS 1346 | | | LTA480 S | CABINET DOOR | 3.35 | |
| LSR 57 | ORDER AS 1345 | | | LTA483 S | LOCK PIN | .65 | |
| LSR 58 | SPRING | 1.50 | | LTA484 | CAM | .35 | |
| LSR 59 | SCALE | .20 | | LTA484 S | CAM W SCREW | .45 | |
| LSR 60 | ORDER AS 5710 | | | LTA485 S | ORDER AS 1451 | | |
| LSR 63 | PULLEY | 2.25 | | LTA486 S | ORDER AS 1452 | | |
| LSR 63 S | SLEEVE ASSEM | 25.50 | | LTA487 S | ORDER AS 1453 | | |
| LSR 64 | TAPER PIN | .20 | | LTA488 | CLAMP SHOE | .65 | |
| LSR 68 | SCREW | .25 | | LTA488 S | CLAMP CAM | .95 | |
| LSR 69 | SUPPORT | 3.40 | | LTA489 | SPEC SCREW | .20 | |
| LSR 70 | SPECIAL SCREW | .25 | | LTA490 | COLLAR | .60 | |
| LSR 71 | TABLE | 44.80 | | LTA491 | COIL SPRING | .15 | |
| LSR 71 R | TABLE | 49.70 | | LTA492 | STEEL PIN | .15 | |
| LSR 76 | RAISING NUT | 2.00 | | LTA502 | PIVOT ARM | 5.70 | |
| LTA | | | | LTA512 | ORDER AS 1459 | | |
| LTA401 | TABLE | 41.35 | | LTA514 S | LOCK STUD | .60 | |
| LTA402 | EXTENSION | 12.95 | | LTA515 | SPRING CLIP | .15 | |
| LTA403 | BRACKET | 11.65 | | LTA516 | WASHER | .15 | |
| LTA403 S | BRACKET ASSEM | 15.85 | | LTA518 | COIL SPRING | .15 | |
| LTA404 | BRACKET | 3.45 | | LTA519 | SPRING WASHER | .15 | |
| LTA405 S | FRT TRUNNION | 7.05 | | LTA520 | STEEL WASHER | .15 | |
| LTA406 S | REAR TRUNNION | 3.35 | | LTA521 | COLLAR | .85 | |
| LTA407 | YOKE | 6.35 | | LTA522 | DEFLECTOR | 1.30 | |
| LTA408 | ARBOR BRKT | 5.95 | | LTA523 | SLEEVE | .15 | |
| LTA408 R | BRKT ASSEM | 22.70 | | LTA525 | BRKT HALF | .70 | |
| LTA409 R | MOTOR BRKT | 7.55 | | LTA526 | BRKT HALF | .45 | |
| LTA411 | FLANGE | .25 | | LTA531 | SPLITTER | 1.50 | |
| LTA412 | COLLAR | .30 | | LTA531 S | SPLITTER ASSY | 4.75 | |
| LTA416 | STEEL PIN | .25 | | LTA534 S | GUARD BASKET | 5.65 | |
| LTA418 R | SHAFT ASSEM | 3.45 | | LTA536 | HINGE | 1.30 | |
| LTA419 R | SHAFT ASSEM | 4.70 | | LTA537 | ARM | .60 | |
| LTA420 S | HAND WHEEL | 3.75 | | LTA538 | GUIDE BLOCK | .25 | |
| LTA424 | GUIDE BLOCK | .45 | | LTA539 | STUD | .65 | |
| LTA425 | WORM | 1.05 | | LTA540 | BUSHING | .15 | |
| LTA426 | STEEL WASHER | .15 | | LTA541 | STEEL BAR | .65 | |
| LTA427 | SCALE | .45 | | LTA542 | BUSHING | .20 | |
| LTA428 A | ARBOR | 3.90 | | LTA543 | BUSHING | .15 | |
| LTA428 R X | ARBOR COMP | 15.40 | | LTA544 | BUSHING | .20 | |
| LTA429 | POINTER | .15 | | LTA545 | STEEL PIN | .15 | |
| LTA430 | WRENCH | .35 | | LTA546 | STOP BOTTON | .15 | |
| LTA431 S | ORDER AS 1449 | | | LTA547 | FINGER | .25 | |
| LTA435 | SPLITTER BRKT | .60 | | LTA548 | FINGER | .25 | |
| LTA436 | CLAMP PLATE | .25 | | LTA549 | FINGER | .25 | |
| LTA438 | MOUNTNG BRKT | 2.40 | | LTA550 | FINGER | .25 | |
| LTA439 | F GUIDE RAIL | 4.55 | | LTA551 S | COLLAR W SCRW | .55 | |
| LTA439 S | FRONT RAIL | 6.10 | | LTA552 | COIL SPRING | .15 | |
| LTA440 | R GUIDE RAIL | 3.30 | | LTA554 | NUT | .35 | |
| LTA440 S | RAIL COMP | 4.75 | | LTA555 | OUTSIDE SAW | 9.20 | |
| LTA441 | COVER FRAME | 1.40 | | LTA556 | INSIDE CUTTER | 5.75 | |
| LTA441 S | BOX COMP | 4.90 | | LTA557 | INSIDE CUTTER | 4.80 | |
| LTA443 | CLAMP | .15 | | LTA558 | INSIDE CUTTER | 3.25 | |
| LTA444 | BOX PAN | .85 | | LTA560 S | PULLEY | 4.60 | |
| LTA445 | NAME PLATE | .50 | | LTA561 S | LOCK KNOB | .60 | |
| LTA448 | NAME PLATE | .30 | | M | | | |
| LTA450 | CLAMP BLOCK | 3.60 | | M 11 | ORDER AS 1330 | | |
| LTA450 R | CLAMP ASSEM | 7.85 | | M 14 | SHIM BLOCK | .25 | |
| LTA450 S | FENCE COMP | 14.75 | | M 63 | SHAFT GUARD | .60 | |
| LTA451 S | FENCE BODY | 4.40 | | M 64 | SHAFT GUARD | .30 | |
| LTA453 | CORNER FOOT | 2.85 | | M 65 | SHAFT GUARD | .60 | |
| LTA455 | SPEC SCREW | .25 | | M 67 | SHAFT GUARD | .60 | |
| LTA456 | COLLAR | .25 | | M 78 | BASE | 5.20 | |
| LTA457 | STEEL PIN | .30 | | M129 | SHAFT GUARD | 1.75 | |
| LTA458 | WEDGE | .15 | | M130 | HOG RING | .15 | |
| LTA459 | SLEEVE | .75 | | M131 | BUSHING | .70 | |
| LTA460 | COVER PLATE | .50 | | M132 | BUSHING | .70 | |
| LTA461 | FIBRE WASHER | .15 | | M133 | SWITCH ROD | 1.45 | |
| LTA462 | FIBRE WASHER | .15 | | M137 | SHAFT GUARD | .60 | |
| LTA465 | COIL SPRING | .15 | | M151 | WIRE | .30 | |
| LTA466 | BUSHING | .45 | | M157 | SWITCH PLATE | .30 | |

PARTS PRICE LIST

| PART NUMBER | DESCRIPTION | PRICE | | PART NUMBER | DESCRIPTION | PRICE | |
|-------------|---------------|-------|--|-------------|--------------------|-------|--|
| | | LIST | | | | LIST | |
| M158 | TOGGLE SWITCH | 1.45 | | M1095 | SWITCH PLATE | .50 | |
| M162 | ORDER 31 442 | | | M2013 | FRONT BRKT | 5.75 | |
| M166 | ORDER 49 310 | | | M2014 | BRUSH RIGGING | 4.60 | |
| M167 | ORDER 49 309 | | | M2015 | BRUSH | 2.90 | |
| M168 | ORDER AS 1115 | | | M3013 | FRONT BRKT | 5.75 | |
| M187 | RELAY | 3.45 | | M3016 | COVER | .60 | |
| M188 | RELAY | 3.45 | | M4010 | LEFT BRKT | 8.05 | |
| M189 | CONDENSOR | 4.35 | | M4011 | RIGHT BRKT | 8.05 | |
| M190 | GOVERNOR | 2.05 | | M4013 | RIGHT BRKT | 8.05 | |
| M191 | SWITCH | 2.05 | | M4014 | BRUSH HOLDER | .90 | |
| M192 | CONDENSOR | 3.45 | | M4016 | SCREW | .30 | |
| M198 | POWER CORD | .75 | | M4021 | GOVERNOR | 1.75 | |
| M202 | NAME PLATE | .50 | | M4022 | GOVERNOR | 1.75 | |
| M204 | TOGGLE SWITCH | 2.05 | | M4024 | GOVERNOR | 1.75 | |
| M205 | RELAY | 5.10 | | | | | |
| M2070 | CAPACITOR | 4.35 | | | | | |
| M1014 | SHORT CIR DEV | 5.20 | | | | | |
| M1016 | HOG RING | .50 | | | MC | | |
| M1017 | FRONT BRKT | 5.75 | | | | | |
| M1018 | REAR BRKT | 4.60 | | | | | |
| M1019 | BRUSH RIGGING | 2.90 | | MC 10 | SCREW | .35 | |
| M1020 | BRUSHES | 1.15 | | MC 11S | SAME AS 1521 | | |
| M1021 | SPRING | .30 | | MC 50S | ORDER AS 265 | | |
| M1022 | WASHER | .30 | | MC 55S | ORDER AS 1343 | | |
| M1023 | WASHER | .30 | | MC 56 | BUSHING | .55 | |
| M1029 | CORD | 1.15 | | | | | |
| M1030 | ORDER AS 1119 | | | | | | |
| M1031 | CONDUIT BOX | .90 | | | MG - (See Page 79) | | |
| M1032 | COVER | .30 | | | | | |
| M1033 | COVER | .30 | | | | | |
| M1034 | SPRING | .30 | | | MS | | |
| M1035 | KEY | .30 | | | | | |
| M1040 | FRONT BRKT | 3.45 | | MS 4 | DUST CHUTE | 1.05 | |
| M1041 | REAR BRKT | 2.90 | | MS 6 | PIN | .15 | |
| M1042 | FRONT BRKT | 3.45 | | MS 11 | FOOT PAD | 1.30 | |
| M1043 | REAR BRKT | 2.90 | | MS 12 | FOOT PAD | 1.10 | |
| M1044 | FRONT BRKT | 3.45 | | MS 13 | CASTOR | 1.30 | |
| M1046 | FRONT BRKT | 3.45 | | MS 14 | BACKET | .65 | |
| M1047 | REAR BRKT | 4.05 | | MS 15 | PIPE | .70 | |
| M1048 | FRONT BRKT | 5.20 | | MS 17S | BACKET | .55 | |
| M1049 | FRONT BRKT | 5.20 | | MS 18 | GROMMET | .15 | |
| M1050 | REAR BRKT | 4.60 | | MS 27 | RUBBER FOOT | .20 | |
| M1051 | FRONT BRKT | 6.90 | | MS 28 | CLAMP PLATE | .15 | |
| M1052 | BRUSH RIGGING | 1.15 | | MS 49S | BENCH LEG | 5.40 | |
| M1053 | BRUSH HOLDER | .90 | | MS 61 | WRENCH | .20 | |
| M1054 | BRUSHES | .70 | | MS 62 | HEX SCREW | .15 | |
| M1055 | BRUSH | .60 | | MS 90A | BENCH TOP | 11.50 | |
| M1056 | BRUSH RIGGING | 2.20 | | MS 90F | SHELF | 8.05 | |
| M1057 | SPRING | .30 | | MS 90G | FRONT PANEL | 2.90 | |
| M1058 | SPRING | .30 | | MS 90H | L END PANEL | 4.60 | |
| M1059 | WASHER | .30 | | MS 90J | R END PANEL | 4.60 | |
| M1060 | WASHER | .30 | | MS 90K | REAR PANEL | 4.60 | |
| M1061 | CONDUIT BOX | 1.15 | | | | | |
| M1062 | CONDUIT BOX | 1.15 | | | NC | | |
| M1063 | CONDUIT BOX | 1.15 | | | | | |
| M1064 | COVER | .30 | | NC 1 | BODY | 1.50 | |
| M1065 | CONDUIT BOX | 1.15 | | NC 2 | NOSE | 1.75 | |
| M1066 | CONDUIT BOX | 1.15 | | NC 4 | CAP | .45 | |
| M1067 | CONDUIT BOX | .30 | | NC 5 | PLUNGER | .60 | |
| M1068 | BRUSH RIGGING | 4.60 | | NC 6 | CAP | .15 | |
| M1069 | COVER | .30 | | NC 9 | COLLAR | .50 | |
| M1070 | SHORT CIR DEV | 4.60 | | NC 10 | SCREW | .15 | |
| M1071 | HOG RING | .30 | | NC 13 | WASHER | .15 | |
| M1072 | SWITCH | 1.75 | | | | | |
| M1074 | TERM PLATE | .90 | | | NCS | | |
| M1075 | GOVERNOR | 1.75 | | | | | |
| M1076 | CORD | 1.70 | | NCS 1 | BASE | 9.95 | |
| M1077 | GOVERNOR | 2.05 | | NCS 2 | PLATE | .25 | |
| M1080 | FRONT BRKT | 5.20 | | NCS 3 | ORDER AS 875 | | |
| M1081 | REAR BRKT | 4.60 | | NCS 6 | SCALE | .25 | |
| M1082 | CONDUIT BOX | 1.15 | | NCS 20 | BRACKET | 1.05 | |
| M1083 | COVER | .30 | | NCS 21 | REAR GIB | .95 | |
| M1084 | COVER | .30 | | NCS 23 | FRONT GIB | 1.05 | |
| M1085 | COVER | .30 | | NCS 24 | PIN | .15 | |
| M1086 | GARTER SPRING | .60 | | NCS 25 | SCREW | .45 | |
| M1087 | GARTER SPRING | .60 | | NCS 26 | BEARING | .20 | |
| M1088 | GARTER SPRING | .60 | | NCS 29 | SHAFT | 1.45 | |
| M1089 | BRUSHES | 1.15 | | NCS 30 | SPIRAL GEAR | 1.10 | |
| M1091 | CONDENSOR | 3.45 | | | | | |
| M1092 | BUSHING | .90 | | | | | |
| M1093 | BUSHING | .90 | | | | | |
| M1094 | CONTACT ARM | .90 | | | | | |

PARTS PRICE LIST

| PART NUMBER | DESCRIPTION | PRICE | | PART NUMBER | DESCRIPTION | PRICE | |
|-------------|---------------|--------|-----|-------------|---------------|--------|-----|
| | | LIST | NET | | | LIST | NET |
| NJ2265 | STUD | .25 | | NSS251R | PLUNGER ASSY | 5.25 | |
| NJ2266 | GUARD | 3.45 | | NSS252 | CAP | .70 | |
| NJ2271 | ORDER AS 1333 | | | NSS252S | CAP W WASHER | .85 | |
| NJ2273 | SIDE PANEL | 1 5.55 | | NSS253S | TUBE | 1.05 | |
| NJ2275 | END PANEL | 6.20 | | NSS254 | WASHER | .15 | |
| NJ2276 | END PANEL | 5.95 | | NSS255S | BEARING ASSY | .50 | |
| NJ2277 | PLATE | 3.80 | | NSS257S | JAW W PIN | .25 | |
| NJ2279 | BRACKET | .30 | | NSS258 | CHUCK BODY | .50 | |
| NJ2279A | BRACKET | .60 | | NSS258R | CHUCK COMPL | 1.05 | |
| NJ2279C | BRACKET | .55 | | NSS259 | JAW | .20 | |
| NJ2280 | BRACKET | .30 | | NSS260 | JAW | .45 | |
| NJ2280A | BRACKET | .60 | | NSS262 | WASHER | .15 | |
| NJ2280C | BRACKET | .40 | | NSS263 | WASHER | .15 | |
| NJ2280S | SPACING ANGLE | 1.60 | | NSS264 | WASHER | .15 | |
| NJ2283 | HAND KNOB | .20 | | NSS266 | THUMB SCREW | .15 | |
| NJ2284 | DUST CHUTE | 3.25 | | NSS274 | SCREW | .20 | |
| NJ2286S | SPACING ANGLE | 1.50 | | NSS275 | BRACKET | 2.20 | |
| NJ2287 | GUARD | 1.80 | | NSS275R | HEAD ASSY | 8.50 | |
| NJ2288 | SIDE PANEL | 9.55 | | NSS277 | STEEL PIN | .15 | |
| NJ2289 | SCREW | .25 | | NSS278 | SLEEVE | .20 | |
| NJ2290A | GUARD PAN | 5.75 | | NSS279 | SLEEVE | .20 | |
| NJ2290S | ORDER AS 661 | | | NSS280 | WASHER | .15 | |
| NJ2291A | GUARD COVER | 5.75 | | NSS301 | BRACKET | .65 | |
| NJ2293 | STUD | .20 | | NSS301S | GUIDE ASSY | 3.15 | |
| NJ2294 | SAME AS 1522 | | | NSS302 | POST | .30 | |
| NL | | | | NSS303S | YOKE W ROLLER | 1.10 | |
| NL300 | HEADSTOCK BDY | 4.05 | | NSS304 | GUIDE DISK | .60 | |
| NL300S | HEAD ASSY | 1 7.25 | | NSS305 | SPRING | .25 | |
| NL301S | SEAL ASSY | .50 | | NSS306 | ROLLER | .15 | |
| NL302 | FELT WASHER | .15 | | NSS307 | STEEL PIN | .30 | |
| NL303 | STEEL WASHER | .15 | | NSS308 | GUARD | .15 | |
| NL304 | SPINDLE | 2.20 | | NSS309 | BRACKET | .55 | |
| NL305 | PULLEY | 3.20 | | NSS311 | NUT | .25 | |
| NL306 | SPRING | .15 | | NSS312 | NUT | .30 | |
| NL320 | TAILSTOCK BDY | 3.45 | | NSS314 | GUARD COVER | 6.60 | |
| NL321S | QUILL ASSY | 1.05 | | NSS315 | GUARD PAN | 3.75 | |
| NL322 | SLEEVE | .25 | | NSS332R | PLUNGER ASSY | 3.95 | |
| NL323 | LOCK BOLT | .30 | | NSS332S | PLUNGER | 1.05 | |
| NL324 | SCREW | .25 | | NSS333 | NUT | .55 | |
| NL335S | CUP CENTER | 2.30 | | NSS333S | NUT | .70 | |
| NL336S | ORDER AS 138 | | | NSS334 | COLLAR | .25 | |
| NSS | | | | NSS335 | COLLAR | .30 | |
| NSS201 | BASE | 2 5.00 | | NSS336 | BEARING | 1.60 | |
| NSS202 | BRACKET | 4.10 | | NSS337R | CROSS HEAD | 1.35 | |
| NSS202S | BRACKET ASSY | 7.05 | | NSS338 | RING | .45 | |
| NSS203 | BUSHING | .15 | | NSS339 | CLIP | .20 | |
| NSS204 | PLUG | .35 | | NSS340 | WASHER | .15 | |
| NSS205 | STUD | .25 | | NSS341 | TUBE | .45 | |
| NSS206 | HOUSING | 2.20 | | NSS346A | GUIDE | .25 | |
| NSS206S | HOUSING ASSY | 1 4.60 | | NSS346C | GUIDE | .25 | |
| NSS207 | PUMP HEAD | .75 | | NSS347 | STEEL PIN | .15 | |
| NSS207S | HEAD ASSY | 1.45 | | NSS350 | BRACKET | 1.45 | |
| NSS208A | DRIVE SHAFT | 3.20 | | NSS351 | PULLEY HALF | 1.10 | |
| NSS209 | SLEEVE | .60 | | NSS351S | ORDER AS 1446 | | |
| NSS209S | SLEEVE SCREW | .70 | | NSS352S | PULLEY HALF | 2.85 | |
| NSS211 | PLUNGER | .50 | | NSS353 | COVER | .50 | |
| NSS213S | PISTON | .25 | | NSS355 | GUIDE RAIL | 1.45 | |
| NSS216 | SCREW | .25 | | NSS356 | GUIDE RAIL | .60 | |
| NSS217 | SCREW | .30 | | NSS357 | NUT | .45 | |
| NSS218 | VALVE DISK | .15 | | NSS358 | MOTOR PLATE | 1.30 | |
| NSS219 | COIL SPRING | .15 | | NSS359 | BASE PLATE | 1.05 | |
| NSS220 | GASKET | .15 | | NSS360 | ROLLER | .20 | |
| NSS222 | GASKET | .15 | | NSS361 | COIL SPRING | .15 | |
| NSS226 | TABLE | 1 2.35 | | NSS362 | ROD | .60 | |
| NSS226S | TABLE ASSY | 1 3.75 | | NSS362S | ROD ASSY | 1.15 | |
| NSS227 | CLAMP SHOE | .60 | | NSS363 | SET COLLAR | .25 | |
| NSS236 | ARM | 1 1.90 | | NSS364 | STEEL PIN | .15 | |
| NSS237 | TIE BOLT | .45 | | NSS366 | GUARD PAN | 4.00 | |
| NSS238 | HOOK BOLT | .25 | | NSS367 | GUARD COVER | 3.20 | |
| NSS242 | STUD | .25 | | NSS368 | STUD | .25 | |
| NSS243 | STUD | .25 | | NSS370S | ORDER AS 1443 | | |
| NSS244 | STEEL PIN | .15 | | NSS371S | KNOB | .60 | |
| NSS251 | CASING | 1.25 | | NSS372 | POINTER | .15 | |
| | | | | NSS373 | COVER | .60 | |
| | | | | NSS374 | NUT | .55 | |
| PF | | | | | | | |
| | | | | PF 1A | REAR CASE | 1 2.45 | |
| | | | | PF 1S | CASE ASSY | 3 6.75 | |
| | | | | PF 2 | FRONT CASE | 6.05 | |

PARTS PRICE LIST

| PART NUMBER | DESCRIPTION | PRICE | | PART NUMBER | DESCRIPTION | PRICE | |
|-------------|----------------|-------|-------|-------------|---------------|-------|------|
| | | LIST | | | | LIST | |
| DF 2 S | CASE ASSY | 3 | 33.45 | PLR 9 | PANEL | | 2.25 |
| DF 3 | MOTOR PLATE | | 6.00 | PLR 10 | SIDE PANEL | | 1.05 |
| DF 3 S | PLATE COMP | | 7.60 | PLR 11 | NUT SUPPORT | | 3.00 |
| DF 4 | BELT GUARD | | 6.05 | PLR 12 | NUT | | 6.80 |
| DF 7 S | BLOCK ASSEM | | 1.70 | PLR 13 | SCREW | | .75 |
| DF 8 | TRIP LEVER | | 1.70 | PLR 14 | COVER PLATE | | 1.35 |
| DF 9 | BRACKET | | 1.50 | PLR 15 S | GUIDE BLOCK | | 3.40 |
| DF 10 | BRACKET | | 2.30 | PLR 16 | BRG HOUSING | | 7.60 |
| DF 11 | TRIP DOG | | 1.65 | PLR 17 | BRG HOUSING | | 6.65 |
| DF 13 S | BRKKT W ROLLER | | 4.05 | PLR 18 | ELEV SCREW | | 1.70 |
| DF 14 S | PULLEY | | 3.75 | PLR 19 | BOLT | | 1.85 |
| DF 15 S | PULLEY | | 5.30 | PLR 20 S | SWITCH PLATE | | 2.00 |
| DF 16 | WORM | | 3.45 | PLR 22 S | COVER PLATE | | 1.70 |
| DF 17 R | SHAFT ASSEM | | 3.75 | PLR 23 | COVER PLATE | | .75 |
| DF 17 S | SHAFT ASSEM | | 8.70 | PLR 24 | TIE ROD | | 4.35 |
| DF 18 | WORM GEAR | | 4.60 | PLR 25 | TIE ANGLE | | 3.50 |
| DF 19 | SHAFT | | .50 | PLR 26 | EYE BOLT | | .15 |
| DF 20 A | SLEEVE | | 2.00 | PLR 27 S | BRACKET ASSRM | | 5.60 |
| DF 22 | DOWEL PIN | | .15 | PLR 31 | WORM | | 7.08 |
| DF 23 | BUSHING | | .25 | PLR 32 S | GEAR | 1 | 5.00 |
| DF 24 | KEY | | .20 | PLR 34 S | SPROCKET | | 9.20 |
| DF 26 | WASHER | | .25 | PLR 35 | CLUTCH | | 4.30 |
| DF 27 | STUD | | .20 | PLR 37 | WASHER | | .25 |
| DF 29 | NUT | | .25 | PLR 44 | BALL | | .50 |
| DF 30 | NUT | | .60 | PLR 46 | SHAFT | | 2.15 |
| DF 32 | WORM GEAR | | 6.80 | PLR 47 A | ROLLER | | 7.65 |
| DF 33 R | SHAFT ASSEM | 1 | 1.00 | PLR 47 S | ROLLER ASSEM | 1 | 0.25 |
| DF 34 S | SHAFT ASSY | | 4.75 | PLR 48 | IN FEED ROLL | 3 | 2.68 |
| DF 35 | BUSHING | | .25 | PLR 49 | OUT FEED ROLL | 1 | 7.65 |
| DF 36 | CAM PLATE | | 2.90 | PLR 51 | COUPLING | | 2.00 |
| DF 37 | BLOCK | | 1.15 | PLR 52 S | BLOCK W BRG | | 3.45 |
| DF 38 | BLOCK | | 1.15 | PLR 53 | SHAFT | | .85 |
| DF 39 | BLOCK | | 1.15 | PLR 54 | SHAFT | | 1.40 |
| DF 40 | TRIP SLEEVE | | .90 | PLR 56 | BUTTON | | .15 |
| DF 41 | COIL SPRING | | .15 | PLR 58 | TIE BAR | | 1.40 |
| DF 42 | COIL SPRING | | .15 | PLR 59 | THROAT BAR | | 1.55 |
| DF 43 | STEEL PIN | | .20 | PLR 61 | CAP | | .55 |
| DF 44 | BUSHING | | .60 | PLR 62 | ADJ SCREW | | .65 |
| DF 45 | COIL SPRING | | .15 | PLR 63 | SPRING | | .25 |
| DF 46 | HAND KNOB | | .20 | PLR 66 | GUARD PLATE | | 1.40 |
| DF 47 | LOCK PIN | | .25 | PLR 68 R | CUTTERHD ASSM | 1 | 3.00 |
| DF 48 | COIL SPRING | | .15 | PLR 69 | TIE ROD | | 4.80 |
| DF 52 | SHEAR PIN | | .15 | PLR 70 | TIE ROD | | 4.45 |
| DF 53 | GASKET | | .15 | PLR 71 | SPROCKET | | 5.20 |
| DF 54 | PLUG | | .15 | PLR 72 | SPROCKET | | 4.75 |
| DF 55 | STEEL WASHER | | .15 | PLR 73 | SCREW | | .15 |
| DF 56 S | ROLLER ASSEM | | 1.65 | PLR 76 | INDEX PIN | | .20 |
| DF 57 | BUSHING | | .60 | PLR 77 | INDEX COLLAR | | 2.20 |
| DF 59 | SPRING | | .15 | PLR 78 | COIL SPRING | | .15 |
| DF 60 | STEEL PIN | | .15 | PLR 80 | INDEX COLLAR | | 1.20 |
| DF 61 | HOG RING | | .15 | PLR 81 | ADJ NUT | | .40 |
| DF 62 | SNAP SPRING | | .15 | PLR 82 | PAJ | | .15 |
| DF 63 | STEEL PIN | | .15 | PLR 83 | PAJ WASHER | | .40 |
| DF 64 | WASHER | | .60 | PLR 84 | STUD | | .20 |
| DF 65 | WASHER | | .15 | PLR 85 | COLLAR | | 1.05 |
| DF 66 | STUD | | .25 | PLR 86 R | PULLEY | | 4.65 |
| DF 68 | KEY | | .15 | PLR 88 | GASKET | | .15 |
| DF 69 | OILER | | 2.95 | PLR 89 | KEY | | .25 |
| DF 70 | WASHER | | .15 | PLR 90 | COVER | | 6.40 |
| DF 71 | COVER PLATE | | .50 | PLR 91 | SPACER | | .70 |
| DF 72 | FEED PLATE | | .45 | PLR 92 | SPECIAL NUT | | .20 |
| DF 74 | WASHER | | .15 | PLR 93 | STUD | | .20 |
| DF 75 S | EXTENSION | | 2.25 | PLR 94 | LOCK PLATE | | 1.60 |
| DF 76 | GASKET | | .15 | PLR 95 | PINION | | 4.45 |
| DF 80 | WASHER | | .15 | PLR 96 | GEAR | | 7.20 |
| DF 81 S | COLLAR | | 1.05 | PLR 97 | LOCK NUT | | .40 |
| DF 83 | GUIDE BLOCK | | 1.15 | PLR 98 | POINTER | | .15 |
| DF 84 | HOG RING | | .20 | PLR 99 S | ORD PLR 119 S | | |
| | | | | PLR 100 | GIB | | .60 |
| | | | | PLR 101 | COLLAR | | .90 |
| | | | | PLR 103 | SHEAR PIN | | .15 |
| | | | | PLR 107 | WASHER | | .20 |
| | | | | PLR 108 | SLINGER | | .65 |
| | | | | PLR 110 | SPACER | | 1.35 |
| | | | | PLR 111 | RING L H | | 5.90 |
| | | | | PLR 112 | RING R H | | 5.90 |
| | | | | PLR 113 | ADJ SCREW | | .15 |
| | | | | PLR 114 | GASKET | | .20 |
| | | | | PLR 115 | SCREW | | .25 |
| | | | | PLR 116 | NUT | | .20 |
| | | | | PLR 117 | THRUST BRG | | .40 |
| | | | | PLR 119 S | SCALE ASSEM | | 3.55 |
| | PLR | | | | | | |
| PLR 1 | BASE W BEARING | 7 | 1.50 | | | | |
| PLR 2 | TABLE | 7 | 1.00 | | | | |
| PLR 3 | R H COLUMN | 5 | 0.25 | | | | |
| PLR 4 | L H COLUMN | 4 | 9.85 | | | | |
| PLR 5 | GEAR BOX | 1 | 7.05 | | | | |
| PLR 6 | CRIP BREAKER | 1 | 2.85 | | | | |
| PLR 7 | PRESSURE BAR | 1 | 0.45 | | | | |
| PLR 8 | LEG | 6 | 9.00 | | | | |

PARTS PRICE LIST

| PART NUMBER | DESCRIPTION | PRICE | | PART NUMBER | DESCRIPTION | PRICE | |
|-------------|---------------|-------|--|-------------|---------------|-------|---|
| | | LIST | | | | LIST | |
| S 2524 | NUT | 2.80 | | S 957 | KNOB STUD | .55 | |
| S 2527 | TABLE | 38.45 | | S 959 | GUARD SMALL | 6.70 | |
| S 2528 | WASHER | .15 | | 420P | PIN | .20 | |
| S 2530 | COLLAR | .95 | | | | | |
| S 2531 | KNOB | 1.90 | | | | | |
| S 2532 | HANDLE | .15 | | | SBG | | |
| S 2534 | CROSSRAIL | 37.30 | | | | | |
| S 2545 | GIE | 4.40 | | | | | |
| 308P | PIN | .15 | | SBG 15 | ARBOR HEAD | 7.55 | |
| S 301 | VICE BODY | 15.90 | | SBG 2 | RIGHT GUARD | 1.15 | |
| S 302 | VICE BASE | 7.10 | | SBG 3 | LEFT GUARD | 1.15 | |
| S 303 | VICE JAW | 9.00 | | SBG 4 | TOOL REST R | .65 | |
| S 304 | PLATES | .95 | | SBG 5 | TOOL REST L | .65 | |
| S 305 | SOFT JAWS | 1.15 | | SBG 6 | ARBOR | .85 | |
| S 307 | WASHER | .20 | | SBG 7 | FLANGE | .50 | |
| S 309 | BOLT | .55 | | SBG 8 | JAM NUT | .20 | |
| S 3010 | WASHER | .15 | | SBG 9 | JAM NUT | .20 | |
| S 3012 | JAW SCREW | 1.60 | | SBG 11 | FLANGE | .30 | |
| S 3013 | JAW COLLAR | .25 | | SBG 12 | FLANGE | .30 | |
| S 3014 | SNAP RING | .15 | | SBG 13 | ARBOR | .30 | |
| | | | | SEG 14S | PULLEY | 1.25 | |
| S 551 | BASE | 21.75 | | SEG 15D | PULLEY | 1.40 | |
| S 552 | INDEX HEAD | 14.90 | | SBG 16 | PLUG | .15 | |
| S 553 | DRIVER | 4.85 | | SBG 17 | NAME PLATE | .15 | |
| S 554 | SPINDLE | 2.10 | | SBG 19 | BUSHING | .60 | |
| S 555 | SPINDLE KEY | .60 | | SBG 24 | ARBOR | 1.15 | |
| S 556 | SPINDLE SHOE | .70 | | SEG200 | END BELL | 4.45 | |
| S 557 | CENTER | .70 | | SBG201 | WHEEL GUARD | 5.35 | |
| S 558 | DEAD CENTER | .70 | | SEG202S | ROTOR ASSEM | 2.80 | 2 |
| S 559 | INDEX PLATE | 5.20 | | SEG205 | GUARD COVER | 2.50 | |
| S 5510 | INDEX PLATE | 5.20 | | SBG204 | SAFETY SHIELD | 1.40 | |
| S 5511 | INDEXING PIN | .60 | | SBG205 | GLASS | 1.70 | |
| S 5512 | WASHER | .20 | | SBG206 | SUPPORT ROD | .55 | |
| S 5513 | STUD | .30 | | SBG207 | CLAMP | .30 | |
| S 5514 | KNURLED SCREW | .30 | | SBG208 | BRACKET | .55 | |
| S 5515 | KNURLED NUT | 1.05 | | SBG209 | L H TOOL REST | .75 | |
| S 5516 | DOG | .70 | | SBG210 | R H TOOL REST | .75 | |
| S 5517 | PIN | .25 | | SBG211 | WHEEL FLANGE | .85 | |
| S 5518 | DOG | .70 | | SBG212 | WHEEL FLANGE | 1.00 | |
| S 5519 | JAM NUT | .60 | | SBG213 | TIE ROD | .50 | |
| S 5520 | CAP SCREW | .55 | | SBG214 | SPARK SHIELD | .30 | |
| S 605 | T BOLT | .55 | | SBG215 | BASE CASTING | 6.35 | |
| 300A28 | WRENCH | .20 | | SBG216S | STATOR ASSEM | 34.50 | |
| | | | | SBG217 | HEX NUT L H | .30 | |
| S 601 | BASE | 23.15 | | SBG218 | RUBBER TUBE | .15 | |
| S 602 | INDEX HEAD | 35.20 | | SBG219 | SPRING | .30 | |
| S 603 | INDEXING PIN | .90 | | SBG220 | STEEL WASHER | .15 | |
| S 604 | STUD | .35 | | SBG221 | FELT WASHER | .15 | |
| | | | | | SBS | | |
| S 802 | FIXED LEVER | 1.75 | | SBS 3 | BEARING CUP | .35 | |
| S 803 | ADJ LEVER | 4.00 | | SBS 8 | OCWEL PIN | .15 | |
| S 804 | PAWL LEVER | 3.95 | | SBS 11 | TABLE INSERT | .15 | |
| S 806 | ROD | 4.50 | | SBS 16 | DRIVE SHAFT | .85 | |
| S 807 | ROD SLEEVE | 7.95 | | SBS 17 | CONE | .75 | |
| S 808 | BUSHING | .70 | | SBS 18 | HOG RING | .15 | |
| S 809 | STRAP | 3.80 | | SBS 19 | JAM NUT | .15 | |
| S 8010 | ECCENTRIC | 2.10 | | SBS 20 | WASHER | .15 | |
| S 8011 | LAYSHAFT | .55 | | SBS 23 | TIRE | .60 | |
| S 8014 | PIN | .45 | | SBS 39 | STUD | .20 | |
| S 8015 | LOCK NUT | 1.05 | | SBS 40 | KNOB | .15 | |
| S 8016 | T BOLT | 1.15 | | SBS 41 | GUARD | .45 | |
| S 8017 | SCREW | 1.75 | | SBS 44 | GUARD | .20 | |
| S 8018 | KNOB | 1.05 | | SBS 45 | COLLAR | .15 | |
| S 8019 | FEED PAWL | 2.45 | | SBS 46 | POINTER | .15 | |
| S 8020 | SPRING | .20 | | SBS 47 | SAME AS 1526 | | |
| S 8021 | BUSHING | .70 | | SBS 50 | BRACKET | .90 | |
| S 8023 | WASHER | .45 | | SBS 51 | CLIP | .15 | |
| S 8024 | BRACKET | 3.80 | | SBS 52 | PLATEN | .30 | |
| S 8026 | CLAMP | 1.05 | | SBS 53 | PLATEN | .30 | |
| S 851 | SUPPORT | 14.75 | | SBS 55 | WASHER | .15 | |
| S 853 | FOOT PAD | 6.25 | | SBS 56 | GUIDE BLOCK | .20 | |
| S 858 | SHAFT | .95 | | SBS 57S | BLADE SUPPORT | .85 | |
| S 859 | COUNTERSHAFT | .65 | | SBS 58 | CAP NUT | .20 | |
| S 8510 | STUD | .30 | | SBS 59 | LOCK NUT | .35 | |
| S 8516 | FIBRE WASHER | .15 | | SBS 60 | BRACKET | .95 | |
| S 951 | GUARD ANCHOR | 3.15 | | SBS 60S | BRACKET ASSEM | 1.45 | |
| S 952 | SPRING | .70 | | | | | |
| S 953 | LOCK SCREW | 1.30 | | | | | |
| S 954 | BELT GUARD | 9.80 | | | | | |
| S 956 | HINGE PIN | .85 | | | | | |

PARTS PRICE LIST

| PART NUMBER | DESCRIPTION | PRICE | | PART NUMBER | DESCRIPTION | PRICE | |
|-------------|---------------|-------|-------|-------------|---------------|-------|------|
| | | LIST | | | | LIST | |
| SCG | | | | SCG 88 | BRASS DISK | | .15 |
| SCG 1 | BASE | 1 | 10.55 | SCG 89 | NUT | | .35 |
| SCG 2R | CROSS SLIDE | | 72.50 | SCG 90 | SPRC SCREW | | .90 |
| SCG 2X | CROSS SLIDE | | 41.55 | SCG100 | BASE | | 3.35 |
| SCG 3 | LONG SLIDE | | 38.35 | SCG101 | SWIVEL PLATE | | 4.20 |
| SCG 3R | LONG SLIDE | | 80.00 | SCG102 | WISE JAW | | 6.30 |
| SCG 4S | COLUMN | | 57.50 | SCG103 | ZERO PLATE | | .15 |
| SCG 5 | HOUSING | | 25.30 | SCG104 | STUD | | .25 |
| SCG 6 | GUARD PAN | | 4.35 | SCG105 | KEY BLOCK | | .30 |
| SCG 7 | GUARD COVER | | 4.75 | SCG106 | BASIN | | .75 |
| SCG 8 | GUARD PAN | | 2.00 | SCG107 | LINK | | .25 |
| SCG 8S | GUARD COMP | | 5.45 | SCG108 | FELT WICK | | .20 |
| SCG 9 | GUARD COVER | | 1.70 | SCG112 | JAM NUT | | .15 |
| SCG 10 | BRACKET | 1 | 18.95 | SCG113 | WASHER | | .15 |
| SCG 11 | CLAMP PLATE | | 1.90 | SCG114 | SPRING CLIP | | .35 |
| SCG 12 | CAP | | 2.75 | SCG150R | TABLE ASSEM | 3 | 4.50 |
| SCG 13 | BUSHING | | 1.75 | SCG151 | PILOT PLATE | | 6.40 |
| SCG 14 | TIE ROD | | 1.50 | SCG152 | BODY | | 6.90 |
| SCG 15 | BRACKET | | 5.45 | SCG152A | HEAD COMP | 1 | 5.70 |
| SCG 16 | MOTOR COVER | 2 | 21.01 | SCG152R | TAIL COMP | 1 | 7.55 |
| SCG 17 | MICRO SLEEVE | | 3.15 | SCG152T | TAIL COMP | 1 | 6.30 |
| SCG 18G | SCREW ASSEM | | 3.45 | SCG152W | HEAD COMP | 1 | 3.30 |
| SCG 18H | SCREW ASSEM | | 6.90 | SCG152X | HEAD COMP | 1 | 3.80 |
| SCG 18S | SCREW COMP | 1 | 7.25 | SCG153 | BODY | | 1.90 |
| SCG 19S | SHAFT ASSEM | | 3.00 | SCG154 | GUARD | | 1.40 |
| SCG 20 | BUSHING | | 1.15 | SCG155 | GUARD | | 1.40 |
| SCG 21 | GIB | | 2.50 | SCG156 | BRACKET | | 2.50 |
| SCG 22 | KEY | | 1.15 | SCG157A | LINK | | 1.15 |
| SCG 23 | GIB | | 1.15 | SCG159 | T BOLT | | .35 |
| SCG 24 | STUD | | .20 | SCG160 | CLAMP PLATE | | .30 |
| SCG 25 | RACK | | 9.70 | SCG161 | STUD | | .20 |
| SCG 27 | STUD | | .25 | SCG162 | BRACKET | | 1.50 |
| SCG 28 | KEY | | 1.85 | SCG163 | LEVER | | .60 |
| SCG 29 | GIB | | 1.15 | SCG164 | STEEL PIN | | .15 |
| SCG 30 | POST | | 1.25 | SCG165 | STUD | | .25 |
| SCG 31 | STOP ROD | | .90 | SCG165S | HANDLE | | .60 |
| SCG 32 | STOP BLOCK | | .35 | SCG166 | STUD | | .20 |
| SCG 33 | STOP POST | | .60 | SCG167 | CENTER | | 3.55 |
| SCG 34 | SPRC SCREW | | .65 | SCG168 | WASHER | | .15 |
| SCG 35S | SCREW ASSEM | | 2.35 | SCG169 | COIL SPRING | | .15 |
| SCG 36 | SPRC SCREW | | .50 | SCG170 | BASE | | 2.90 |
| SCG 37 | BUSHING | | 1.45 | SCG171 | CLAMP POST | | 1.75 |
| SCG 38 | HAND KNOB | | .65 | SCG172 | CLAMP RING | | 1.15 |
| SCG 39C | MICRO SCREW | | .90 | SCG173A | ARM W RING | | 2.90 |
| SCG 40 | WASHER | | .15 | SCG174A | ARM W RING | | 2.90 |
| SCG 41A | SPINDLE ASSEM | 1 | 13.00 | SCG176 | SLEEVE | | 1.15 |
| SCG 43A | BEARING | | 9.50 | SCG177 | KNURLED NUT | | .50 |
| SCG 43R | SPINDLE COMP | 2 | 25.50 | SCG178 | BRACKET | | 2.30 |
| SCG 44 | OIL RING | | .15 | SCG178S | BRACKET | | 4.30 |
| SCG 45 | THRUST WASHER | | 1.35 | SCG179 | PIVOT BLOCK | | 1.15 |
| SCG 47 | NUT | | 3.45 | SCG180 | T BOLT | | .95 |
| SCG 48S | ORDER 24 616 | | | SCG181 | STEEL PIN | | .35 |
| SCG 50 | WHEEL NUT | | .80 | SCG182 | FINGER | | .50 |
| SCG 51 | NUT | | .50 | SCG183 | FINGER | | .50 |
| SCG 53 | HINCE PIN | | .60 | SCG184 | PILOT PLUG | | .25 |
| SCG 54 | BUSHING | | 1.35 | SCG185 | T BOLT | | .60 |
| SCG 58 | MICRO SLEEVE | | 3.15 | SCG187S | BLOCK W BAR | | 2.30 |
| SCG 61 | ORDER 24 615 | | | SCG188S | SCREW | | .70 |
| SCG 62 | JAM NUT | | .60 | SCG225 | HOUSING | 1 | 7.25 |
| SCG 63 | COLLAR | | .30 | SCG226 | BASE | | 5.75 |
| SCG 64 | WHEEL FLANGE | | 1.25 | SCG226S | BASE ASSEM | 1 | 1.50 |
| SCG 66 | T BOLT | | .80 | SCG227 | COLLAR | | 3.45 |
| SCG 67 | HOLDER | | 4.50 | SCG228S | INDEX PIN | | 3.45 |
| SCG 70S | WRENCH | | 2.90 | SCG229S | SLEEVE ASSEM | 4 | 0.25 |
| SCG 71 | PLATE | | 1.35 | SCG230 | CAP SCREW | | 1.75 |
| SCG 72 | POINTER | | .15 | SCG231 | RETAINER NUT | | 2.30 |
| SCG 74 | OIL COVER | | .45 | SCG234 | ORDER 24 957 | | |
| SCG 75 | NUT | | .25 | SCG235 | SELECTOR RING | | .70 |
| SCG 76 | WASHER | | .15 | SCG236 | COLLAR | | 4.15 |
| SCG 77 | OIL WICK | | .15 | SCG237 | ORDER 24 957 | | |
| SCG 78 | ORDER 24 605 | | | SCG238 | ORDER 24 958 | | |
| SCG 79S | PULLEY | | 4.60 | SCG239 | ORDER 24 959 | | |
| SCG 80S | ORDER 24 617 | | | SCG240 | ORDER 24 960 | | |
| SCG 82 | COIL SPRING | | .25 | SCG241 | ORDER 24 961 | | |
| SCG 82S | SPRING ASSEM | | 1.05 | SCG242 | ORDER 24 962 | | |
| SCG 83 | CUP WASHER | | .15 | SCG243 | ORDER 24 963 | | |
| SCG 84 | CUP WASHER | | .15 | SCG244 | ORDER 24 965 | | |
| SCG 86 | NAME PLATE | | .25 | SCG245 | COIL SPRING | | .35 |
| | | | | SCG246 | BRASS DISK | | .25 |
| | | | | SCG247 | ORDER 24 968 | | |
| | | | | SCG248 | BRASS DISK | | .25 |
| | | | | SCG249 | ORDER 24 964 | | |

PARTS PRICE LIST

| PART NUMBER | DESCRIPTION | PRICE | | PART NUMBER | DESCRIPTION | PRICE | |
|-------------|---------------|-------|--|-------------|--------------|-------|--|
| | | LIST | | | | LIST | |
| SCG2261R | BASE | 34.50 | | SOP 35 | SCREW | .15 | |
| SCG2262S | LOCK BOLT | .70 | | SOP 36 | KEY | .95 | |
| SCG2263 | SUPPORT ROD | .70 | | SOP 40S | ORDER 14 838 | | |
| SCG2264 | BASE | 4.05 | | SOP 42 | ORDER 14 836 | | |
| SCG2265 | SLEEVE | .35 | | SOP 43 | TABLE END | 1.150 | |
| SCG2266 | SERRATED NUT | .35 | | SOP 44 | ORDER 14 840 | | |
| SCG2267 | SHAFT | .85 | | SOP 45 | BLOCK | 1.30 | |
| SCG2268 | CLAMP BLOCK | .60 | | SOP 46 | FEED HANDLE | .25 | |
| SCG2269 | STUD | .50 | | SOP 47 | PULLEY | 3.90 | |
| SCG2270 | CLAMP PLATE | .50 | | SOP 48 | PULLEY | 4.85 | |
| SCG2271 | BUSHING | .30 | | SOP 49 | CLAMP | .60 | |
| SCG2272 | COIL SPRING | .15 | | SOP 49R | CLAMP ASSY | 2.30 | |
| SCG2273S | LOCK BOLT | .60 | | | | | |
| SD | | | | SF | | | |
| SD 1 | ARBOR | .50 | | SF 1 | FENCE BODY L | 2.45 | |
| SD 2 | WASHER | .15 | | SF 1S | FENCE ASSEM | 9.55 | |
| SD 3 | RUBBER DRUM | .15 | | SF 2 | FENCE BODY R | 2.68 | |
| SD 4 | BUSHING | .15 | | SF 3 | CLAMP STUD | 1.10 | |
| SD 6 | STEEL WASHER | .25 | | SF 4 | CLAMP PLATE | .50 | |
| SD 7 | RUBBER DRUM | .15 | | SF 6 | SCREW | 1.60 | |
| SD 8 | BUSHING | .15 | | SF 7 | STUD | .35 | |
| SD 10 | FIBRE WASHER | .15 | | SF 9 | FLAT SPRING | .55 | |
| SD 12 | STEEL WASHER | .30 | | SF 10 | WOODEN FACE | 1.35 | |
| SD 13 | RUBBER DRUM | .35 | | SF 11 | CLAMP BLOCK | .60 | |
| SD 15 | FIBRE WASHER | .15 | | SF 11S | BLOCK ASSY | .75 | |
| SD 16 | ARBOR | 1.40 | | SF 12 | CLAMP BLOCK | .85 | |
| SD 17 | ARBOR | 1.45 | | SF 12S | BLOCK ASSY | .95 | |
| SD 18 | NUT | .15 | | SF 14S | STUD | .35 | |
| SD 20 | FIBRE WASHER | .15 | | SF 15 | STEEL WASHER | .15 | |
| SD 21 | RUBBER DRUM | .55 | | SF 16 | STEEL WASHER | .15 | |
| SD 22 | RUBBER DRUM | .55 | | SF 17 | CLAMP STUD | .20 | |
| SD 23 | RUBBER DRUM | .55 | | SF 18 | NUT | .35 | |
| SD 24 | ARBOR | .65 | | SF 18S | HANDLE ASSY | .75 | |
| SD 25 | STEEL WASHER | .20 | | SF 19 | HALF COLLAR | .15 | |
| SD 26 | STEEL WASHER | .25 | | SF 20 | BENT ROD | .60 | |
| SD 27 | STEEL WASHER | .15 | | | | | |
| SD 28 | STEEL WASHER | .15 | | SG | | | |
| SD 29 | STEEL WASHER | .25 | | SG 1 | BRACKET | .90 | |
| SD 30 | STEEL WASHER | .25 | | SG 3 | GUARD RING | 1.05 | |
| SD 31 | FIBRE WASHER | .15 | | SG 4 | FLAT SPRING | .95 | |
| SD 32 | FIBER WASHER | .15 | | SG 5 | STUD | .15 | |
| SD 33 | FIBER WASHER | .15 | | SG 6S | POST W PLATE | 3.05 | |
| SDP | | | | SG 10 | BRACKET | 1.30 | |
| SOP 1 | HEAD | 14.15 | | SG 11 | ADAPTER | .75 | |
| SOP 6 | SPRING CLIP | .20 | | SG 15 | STUD | .20 | |
| SOP 7 | SLEEVE | .35 | | SG 15S | STUD | .70 | |
| SOP 9S | DRIVE TUBE | 2.95 | | SP | | | |
| SOP 10A | SPINDLE ASSY | 14.50 | | SP 1 | SAME AS 1534 | | |
| SOP 10S | SPINDLE COMP | 35.55 | | SP 2 | SAME AS 194 | | |
| SOP 11S | SPINDLE ASSEM | 16.10 | | SP 3 | SAME AS 1535 | | |
| SOP 13S | PULLEY | 5.25 | | SP 4 | SAME AS 1536 | | |
| SOP 14 | INSTR PLATE | .50 | | SP 5 | SAME AS 1531 | | |
| SOP 15 | PINION SHAFT | 4.50 | | SP 6 | SAME AS 1532 | | |
| SOP 16 | STEEL PIN | .35 | | SP 10 | SAME AS 1533 | | |
| SOP 17 | STEEL SHAFT | .35 | | SP 27 | STEEL BALL | .15 | |
| SOP 18 | SET COLLAR | .35 | | SP 28 | STEEL BALL | .15 | |
| SOP 18S | COLLAR SCREW | .50 | | SP 29 | STEEL BALL | .15 | |
| SOP 19 | CHAIN REEL | .70 | | SP 30 | STEEL BALL | .15 | |
| SOP 20 | STEEL PIN | .25 | | SP 31 | STEEL BALL | .15 | |
| SOP 23 | PULLEY | 2.65 | | SP 32 | STEEL BALL | .15 | |
| SOP 24S | SPROCKET | 1.75 | | SP 86 | SCREW EYE | .15 | |
| SOP 25 | STOP ROD | .55 | | SP101 | SET SCREW | .15 | |
| SOP 25S | STOP ROD ASSY | 2.15 | | SP102 | SET SCREW | .15 | |
| SOP 26 | CLAMP NUT | .70 | | SP103 | SET SCREW | .15 | |
| SOP 27 | COIL SPRING | .15 | | SP104 | SET SCREW | .15 | |
| SOP 28 | CHAIN | .25 | | SP105 | SET SCREW | .15 | |
| SOP 30 | COIL SPRING | .15 | | SP106 | SET SCREW | .15 | |
| SOP 31 | CHUCK | 17.05 | | SP107 | SET SCREW | .15 | |
| SOP 32 | FEED HANDLE | .25 | | SP108 | SET SCREW | .15 | |
| SOP 33 | BEARING | 2.90 | | SP109 | SET SCREW | .15 | |
| SOP 34 | SET COLLAR | .50 | | | | | |
| SOP 34S | COLLAR SCREW | .60 | | | | | |

PARTS PRICE LIST

| PART NUMBER | DESCRIPTION | PRICE | | PART NUMBER | DESCRIPTION | PRICE | |
|-------------|---------------|-------|--|-------------|---------------|-------|--|
| | | LIST | | | | LIST | |
| SP110 | SET SCREW | .15 | | SP408 | MACHINE SCREW | .15 | |
| SP112 | SET SCREW | .15 | | SP409 | MACHINE SCREW | .15 | |
| SP113 | SET SCREW | .15 | | SP410 | MACHINE SCREW | .15 | |
| SP115 | SET SCREW | .15 | | SP411 | MACHINE SCREW | .15 | |
| SP116 | SET SCREW | .15 | | SP412 | MACHINE SCREW | .15 | |
| SP117 | SET SCREW | .15 | | SP417 | MACHINE SCREW | .15 | |
| SP119 | SET SCREW | .15 | | SP424 | FL HD SCREW | .15 | |
| SP152 | SET SCREW | .15 | | SP451 | MACHINE SCREW | .15 | |
| SP153 | SET SCREW | .15 | | SP452 | MACHINE SCREW | .15 | |
| SP154 | SET SCREW | .15 | | SP455 | MACHINE SCREW | .15 | |
| SP155 | SET SCREW | .15 | | SP457 | MACHINE SCREW | .15 | |
| SP157 | SET SCREW | .15 | | SP459 | MACHINE SCREW | .15 | |
| SP158 | SET SCREW | .15 | | SP460 | MACHINE SCREW | .15 | |
| SP161 | SET SCREW | .15 | | SP462 | MACHINE SCREW | .15 | |
| SP162 | SET SCREW | .15 | | SP466 | MACHINE SCREW | .15 | |
| SP163 | SET SCREW | .15 | | SP501 | MACHINE SCREW | .15 | |
| SP164 | SET SCREW | .15 | | SP502 | MACHINE SCREW | .15 | |
| SP164 | CAP SCREW | .15 | | SP503 | MACHINE SCREW | .15 | |
| SP201 | SET SCREW | .15 | | SP504 | MACHINE SCREW | .15 | |
| SP202 | SET SCREW | .20 | | SP505 | MACHINE SCREW | .15 | |
| SP203 | SET SCREW | .20 | | SP506 | MACHINE SCREW | .15 | |
| SP205 | SET SCREW | .20 | | SP507 | MACHINE SCREW | .15 | |
| SP206 | SET SCREW | .20 | | SP508 | MACHINE SCREW | .15 | |
| SP207 | SET SCREW | .20 | | SP509 | MACHINE SCREW | .15 | |
| SP208 | SET SCREW | .20 | | SP512 | MACHINE SCREW | .15 | |
| SP209 | SET SCREW | .20 | | SP514 | MACHINE SCREW | .15 | |
| SP210 | SET SCREW | .25 | | SP515 | MACHINE SCREW | .15 | |
| SP213 | SET SCREW | .25 | | SP517 | MACHINE SCREW | .15 | |
| SP214 | SET SCREW | .25 | | SP518 | MACHINE SCREW | .15 | |
| SP217 | SET SCREW | .20 | | SP519 | MACHINE SCREW | .15 | |
| SP218 | SET SCREW | .20 | | SP520 | MACHINE SCREW | .15 | |
| SP221 | CAP SCREW | .60 | | SP522 | MACHINE SCREW | .15 | |
| SP222 | CAP SCREW | .25 | | SP523 | MACHINE SCREW | .15 | |
| SP223 | CAP SCREW | .25 | | SP525 | RD HD SCREW | .15 | |
| SP224 | CAP SCREW | .20 | | SP551 | MACHINE SCREW | .15 | |
| SP225 | SET SCREW | .15 | | SP552 | MACHINE SCREW | .15 | |
| SP229 | CAP SCREW | .25 | | SP553 | MACHINE SCREW | .15 | |
| SP230 | SET SCREW | .25 | | SP554 | MACHINE SCREW | .15 | |
| SP231 | SET SCREW | .15 | | SP556 | MACHINE SCREW | .15 | |
| SP231 | SET SCREW | .15 | | SP558 | MACHINE SCREW | .15 | |
| SP232 | SET SCREW | .20 | | SP559 | MACHINE SCREW | .15 | |
| SP233 | SET SCREW | .25 | | SP560 | MACHINE SCREW | .15 | |
| SP234 | SET SCREW | .35 | | SP561 | MACHINE SCREW | .15 | |
| SP238 | CAP SCREW | .15 | | SP562 | MACHINE SCREW | .15 | |
| SP247 | SET SCREW | .15 | | SP563 | MACHINE SCREW | .15 | |
| SP253 | SET SCREW | .20 | | SP564 | MACHINE SCREW | .15 | |
| SP254 | SET SCREW | .20 | | SP565 | MACHINE SCREW | .15 | |
| SP275 | SET SCREW | .20 | | SP566 | MACHINE SCREW | .15 | |
| SP275 | BRASS WASHER | .15 | | SP567 | MACHINE SCREW | .15 | |
| SP276 | LOCK SCREW | .20 | | SP569 | MACHINE SCREW | .15 | |
| SP277 | SET SCREW | .20 | | SP570 | MACHINE SCREW | .15 | |
| SP278 | SET SCREW | .15 | | SP571 | MACHINE SCREW | .15 | |
| SP279 | SET SCREW | .20 | | SP572 | MACHINE SCREW | .15 | |
| SP280 | SET SCREW | .15 | | SP573 | MACHINE SCREW | .15 | |
| SP282 | SET SCREW | .15 | | SP575 | MACHINE SCREW | .15 | |
| SP292 | SET SCREW | .25 | | SP577 | MACHINE SCREW | .15 | |
| SP301 | SET SCREW | .20 | | SP581 | MACHINE SCREW | .15 | |
| SP302 | SET SCREW | .15 | | SP582 | RD HD SCREW | .15 | |
| SP304 | SET SCREW | .20 | | SP585 | MACHINE SCREW | .15 | |
| SP305 | SET SCREW | .20 | | SP591 | MACHINE SCREW | .15 | |
| SP306 | SET SCREW | .20 | | SP601 | CAP SCREW | .15 | |
| SP308 | SET SCREW | .20 | | SP602 | CAP SCREW | .15 | |
| SP309 | SET SCREW | .20 | | SP603 | CAP SCREW | .15 | |
| SP310 | SET SCREW | .15 | | SP604 | CAP SCREW | .15 | |
| SP311 | SET SCREW | .15 | | SP605 | CAP SCREW | .15 | |
| SP312 | SET SCREW | .15 | | SP606 | CAP SCREW | .15 | |
| SP313 | SET SCREW | .15 | | SP607 | CAP SCREW | .15 | |
| SP314 | SET SCREW | .15 | | SP608 | CAP SCREW | .15 | |
| SP316 | SET SCREW | .20 | | SP609 | CAP SCREW | .15 | |
| SP317 | SET SCREW | .15 | | SP611 | CAP SCREW | .15 | |
| SP318 | SET SCREW | .20 | | SP612 | CAP SCREW | .15 | |
| SP320 | BALL | .55 | | SP613 | MACHINE SCREW | .15 | |
| SP321 | SET SCREW | .15 | | SP614 | CAP SCREW | .15 | |
| SP321 | PULLEY | 6.25 | | SP615 | CAP SCREW | .15 | |
| SP322 | SET SCREW | .15 | | SP616 | CAP SCREW | .15 | |
| SP324 | VEE BELT | 1.90 | | SP617 | CAP SCREW | .15 | |
| SP355 | SWITCH | 3.45 | | SP618 | CAP SCREW | .25 | |
| SP364 | MOTOR | 36.25 | | SP620 | CAP SCREW | .15 | |
| SP387 | SCREW | 1.00 | | SP621 | CAP SCREW | .35 | |
| SP401 | MACHINE SCREW | .15 | | SP622 | CAP SCREW | .15 | |
| SP403 | MACHINE SCREW | .15 | | SP623 | CAP SCREW | .15 | |
| SP406 | MACHINE SCREW | .15 | | SP624 | CAP SCREW | .35 | |

PARTS PRICE LIST

| PART NUMBER | DESCRIPTION | PRICE | | PART NUMBER | DESCRIPTION | PRICE | |
|-------------|---------------|-------|--|-------------|---------------|-------|--|
| | | LIST | | | | LIST | |
| SP625 | CAP SCREW | .15 | | SP743 | CAP SCREW | .20 | |
| SP626 | CAP SCREW | .15 | | SP744 | SCREW | .20 | |
| SP628 | CAP SCREW | .20 | | SP750 | CAP SCREW | .25 | |
| SP629 | CAP SCREW | .15 | | SP751 | CAP SCREW | .50 | |
| SP630 | CAP SCREW | .30 | | SP752 | CAP SCREW | .25 | |
| SP631 | CAP SCREW | .25 | | SP753 | CAP SCREW | .45 | |
| SP632 | CAP SCREW | .20 | | SP754 | CAP SCREW | .60 | |
| SP633 | CAP SCREW | .20 | | SP755 | CAP SCREW | .20 | |
| SP634 | CAP SCREW | .20 | | SP757 | CAP SCREW | .25 | |
| SP635 | CAP SCREW | .15 | | SP759 | CAP SCREW | .25 | |
| SP637 | CAP SCREW | .20 | | SP760 | CAP SCREW | .25 | |
| SP639 | CAP SCREW | .30 | | SP761 | SCREW | .20 | |
| SP640 | CAP SCREW | .15 | | SP762 | CAP SCREW | .25 | |
| SP641 | CAP SCREW | .25 | | SP765 | CAP SCREW | .15 | |
| SP642 | CAP SCREW | .15 | | SP767 | SET SCREW | .15 | |
| SP643 | CAP SCREW | .25 | | SP769 | CAP SCREW | .25 | |
| SP644 | CAP SCREW | .15 | | SP771 | CAP SCREW | .25 | |
| SP645 | CAP SCREW | .15 | | SP777 | CAP SCREW | .55 | |
| SP646 | CAP SCREW | .15 | | SP788 | CAP SCREW | .20 | |
| SP647 | CAP SCREW | .20 | | SP801 | CARRIAGE BOLT | .15 | |
| SP648 | CAP SCREW | .20 | | SP804 | CARRIAGE BOLT | .15 | |
| SP649 | CAP SCREW | .15 | | SP805 | CARRIAGE BOLT | .15 | |
| SP650 | CAP SCREW | 1.20 | | SP806 | CARRIAGE BOLT | .15 | |
| SP653 | CAP SCREW | .15 | | SP808 | CARRIAGE BOLT | .15 | |
| SP655 | CAP SCREW | .15 | | SP809 | CARRIAGE BOLT | .15 | |
| SP658 | CAP SCREW | .15 | | SP810 | CARRIAGE BOLT | .15 | |
| SP659 | CAP SCREW | .15 | | SP811 | CARRIAGE BOLT | .15 | |
| SP662 | CAP SCREW | .15 | | SP812 | CARRIAGE BOLT | .15 | |
| SP663 | CAP SCREW | .15 | | SP813 | CARRIAGE BOLT | .15 | |
| SP664 | CAP SCREW | .15 | | SP814 | BEARINGS | .25 | |
| SP665 | CAP SCREW | .15 | | SP817 | CARRIAGE BOLT | .15 | |
| SP666 | CAP SCREW | .20 | | SP818 | CARRIAGE BOLT | .15 | |
| SP667 | CAP SCREW | .20 | | SP820 | CARRIAGE BOLT | .15 | |
| SP668 | CAP SCREW | .20 | | SP821 | CARRIAGE BOLT | .15 | |
| SP669 | CAP SCREW | .20 | | SP826 | CARRIAGE BOLT | .15 | |
| SP670 | CAP SCREW | .15 | | SP828 | CARRIAGE BOLT | .15 | |
| SP671 | CAP SCREW | .15 | | SP830 | CARRIAGE BOLT | .15 | |
| SP672 | CAP SCREW | .15 | | SP831 | CARRIAGE BOLT | .20 | |
| SP673 | CAP SCREW | .15 | | SP832 | CARRIAGE BOLT | .15 | |
| SP674 | CAP SCREW | .15 | | SP834 | CARRIAGE BOLT | .15 | |
| SP675 | CAP SCREW | .20 | | SP835 | CARRIAGE BOLT | .15 | |
| SP676 | CAP SCREW | .15 | | SP838 | CARRIAGE BOLT | .15 | |
| SP677 | CAP SCREW | .15 | | SP839 | CARRIAGE BOLT | .15 | |
| SP678 | CAP SCREW | .15 | | SP841 | CARRIAGE BOLT | .15 | |
| SP679 | CAP SCREW | .15 | | SP843 | CARRIAGE BOLT | .15 | |
| SP680 | CAP SCREW | .15 | | SP844 | CARRIAGE BOLT | .25 | |
| SP681 | CAP SCREW | .15 | | SP845 | CARRIAGE BOLT | .15 | |
| SP682 | CAP SCREW | .15 | | SP846 | CARRIAGE BOLT | .20 | |
| SP684 | CAP SCREW | .25 | | SP848 | CARRIAGE BOLT | .15 | |
| SP685 | CAP SCREW | .45 | | SP850 | CARRIAGE BOLT | .15 | |
| SP687 | CAP SCREW | .45 | | SP851 | WELD BOLT | .15 | |
| SP688 | CAP SCREW | .15 | | SP852 | WELD BOLT | .15 | |
| SP689 | CAP SCREW | .15 | | SP901 | STOVE BOLT | .15 | |
| SP691 | CAP SCREW | .30 | | SP902 | STOVE BOLT | .15 | |
| SP693 | CAP SCREW | .20 | | SP903 | STOVE BOLT | .15 | |
| SP694 | CAP SCREW | .15 | | SP904 | STOVE BOLT | .15 | |
| SP701 | MACHINE SCREW | .15 | | SP908 | STOVE BOLT | .15 | |
| SP702 | MACHINE SCREW | .15 | | SP910 | STOVE BOLT | .15 | |
| SP703 | MACHINE SCREW | .20 | | SP912 | STOVE BOLT | .15 | |
| SP704 | CAP SCREW | .15 | | SP913 | STOVE BOLT | .15 | |
| SP705 | CAP SCREW | .15 | | SP915 | STOVE BOLT | .15 | |
| SP706 | MACHINE SCREW | .15 | | SP916 | STOVE BOLT | .15 | |
| SP707 | MACHINE SCREW | .15 | | SP918 | STOVE BOLT | .15 | |
| SP709 | MACHINE SCREW | .15 | | SP1001 | JAM NUT | .15 | |
| SP710 | MACHINE SCREW | .15 | | SP1002 | JAM NUT | .15 | |
| SP711 | MACH SCREW | .15 | | SP1004 | HEX NUT | .15 | |
| SP712 | CAP SCREW | .15 | | SP1005 | JAM NUT | .15 | |
| SP715 | CAP SCREW | .15 | | SP1006 | JAM NUT | .15 | |
| SP720 | CAP SCREW | .25 | | SP1007 | HEX NUT | .15 | |
| SP721 | MACHINE SCREW | .15 | | SP1008 | JAM NUT | .25 | |
| SP723 | MACHINE SCREW | .15 | | SP1009 | HEX NUT | .25 | |
| SP725 | CAP SCREW | .15 | | SP1023 | NUT | .15 | |
| SP727 | CAP SCREW | .15 | | SP1026 | HEX NUT | .15 | |
| SP729 | MACHINE SCREW | .15 | | SP1027 | HEX NUT | .15 | |
| SP730 | MACHINE SCREW | .15 | | SP1028 | HEX NUT | .15 | |
| SP731 | CAP SCREW | .20 | | SP1029 | HEX NUT | .15 | |
| SP732 | MACHINE SCREW | .15 | | SP1030 | HEX NUT | .15 | |
| SP733 | CAP SCREW | .25 | | SP1031 | HEX NUT | .15 | |
| SP735 | CAP SCREW | .20 | | SP1032 | JAM NUT | .20 | |
| SP739 | CAP SCREW | .20 | | SP1034 | HEX NUT | .20 | |
| SP740 | CAP SCREW | .25 | | SP1203 | HEX NUT | .15 | |
| SP742 | FIL HD SCREW | .15 | | SP1204 | HEX NUT | .15 | |

PARTS PRICE LIST

| PART NUMBER | DESCRIPTION | PRICE | | PART NUMBER | DESCRIPTION | PRICE | |
|-------------|-------------|-------|--|-------------|--------------|-------|--|
| | | LIST | | | | LIST | |
| SP12006 | HERX NZCT | .15 | | SP2105 | COTTER PIN | .15 | |
| SP12007 | HERX NZCT | .15 | | SP2106 | COTTER PIN | .15 | |
| SP12008 | HERX NZCT | .15 | | SP2107 | COTTER PIN | .15 | |
| SP12009 | HERX NZCT | .15 | | SP2108 | COTTER PIN | .15 | |
| SP1210 | HERX NZCT | .15 | | SP22004 | RIVET | .15 | |
| SP1211 | HERX NZCT | .15 | | SP22008 | RIVET | .15 | |
| SP1213 | HERX NZCT | .25 | | SP22050 | DRIVE SCREW | .15 | |
| SP1214 | NUT | .15 | | SP22052 | DRIVE SCREW | .15 | |
| SP1226 | JAM NZCT | .15 | | SP22055 | PIN | .15 | |
| SP1227 | JAM NZCT | .15 | | SP22061 | PIN | .15 | |
| SP1228 | JAM NZCT | .15 | | SP22300 | MACHINE BOLT | .15 | |
| SP1231 | JAM NZCT | .15 | | SP22352 | MACHINE BOLT | .25 | |
| SP1232 | HEX NZCT | .15 | | SP22353 | MACHINE BOLT | .15 | |
| SP1233 | HEX NZCT | .15 | | SP22355 | MACHINE BOLT | .30 | |
| SP1233 | HEX NZCT | .15 | | SP22356 | MACHINE BOLT | .15 | |
| SP1233 | HEX NZCT | .15 | | SP22360 | MACHINE BOLT | .15 | |
| SP1233 | HEX NZCT | .15 | | SP22361 | MACHINE BOLT | .15 | |
| SP1233 | HEX NZCT | .15 | | SP22363 | MACHINE BOLT | .15 | |
| SP1233 | HEX NZCT | .15 | | SP22364 | MACHINE BOLT | .15 | |
| SP1233 | HEX NZCT | .15 | | SP22368 | MACHINE BOLT | .15 | |
| SP1233 | HEX NZCT | .15 | | SP22369 | MACHINE BOLT | .15 | |
| SP1233 | HEX NZCT | .15 | | SP22370 | MACHINE BOLT | .45 | |
| SP1233 | HEX NZCT | .15 | | SP22371 | MACHINE BOLT | .20 | |
| SP1233 | HEX NZCT | .15 | | SP22372 | MACHINE BOLT | .15 | |
| SP1233 | HEX NZCT | .15 | | SP22419 | TAPER PIN | .15 | |
| SP1233 | HEX NZCT | .15 | | SP22420 | TAPER PIN | .15 | |
| SP1233 | HEX NZCT | .15 | | SP22421 | TAPER PIN | .15 | |
| SP1233 | HEX NZCT | .15 | | SP22422 | TAPER PIN | .20 | |
| SP1233 | HEX NZCT | .15 | | SP22423 | TAPER PIN | .15 | |
| SP1233 | HEX NZCT | .15 | | SP22424 | TAPER PIN | .15 | |
| SP1233 | HEX NZCT | .15 | | SP22426 | COUPLER | .45 | |
| SP1233 | HEX NZCT | .15 | | SP22427 | TAPER PIN | .15 | |
| SP1233 | HEX NZCT | .15 | | SP22428 | TAPER PIN | .15 | |
| SP1233 | HEX NZCT | .15 | | SP22429 | TAPER PIN | .15 | |
| SP1233 | HEX NZCT | .15 | | SP22430 | TAPER PIN | .15 | |
| SP1233 | HEX NZCT | .15 | | SP22431 | TAPER PIN | .15 | |
| SP1233 | HEX NZCT | .15 | | SP22432 | DRIVER STUD | .15 | |
| SP1233 | HEX NZCT | .15 | | SP22433 | TAPER PIN | .15 | |
| SP1233 | HEX NZCT | .15 | | SP22435 | TAPER PIN | .15 | |
| SP1233 | HEX NZCT | .15 | | SP22436 | PIPE BULB | .15 | |
| SP1233 | HEX NZCT | .15 | | SP22437 | PIPE BULB | .20 | |
| SP1233 | HEX NZCT | .15 | | SP22438 | PIPE BULB | .25 | |
| SP1233 | HEX NZCT | .15 | | SP22439 | PIPE BULB | .20 | |
| SP1233 | HEX NZCT | .15 | | SP22440 | PIPE BULB | .35 | |
| SP1233 | HEX NZCT | .15 | | SP22447 | LAMP SOCKET | 4.35 | |
| SP1233 | HEX NZCT | .15 | | SP22450 | LOCK ZOLT | .15 | |
| SP1233 | HEX NZCT | .15 | | SP22451 | BUSHING | .15 | |
| SP1233 | HEX NZCT | .15 | | SP22452 | SWITCH | 2.55 | |
| SP1233 | HEX NZCT | .15 | | SP22453 | STARTER | 28.20 | |
| SP1233 | HEX NZCT | .15 | | SP22454 | STARTER | 30.85 | |
| SP1233 | HEX NZCT | .15 | | SP22457 | CONNECTOR | 1.35 | |
| SP1233 | HEX NZCT | .15 | | SP22458 | SWITCH | 3.25 | |
| SP1233 | HEX NZCT | .15 | | SP22459 | SWITCH | 2.10 | |
| SP1233 | HEX NZCT | .15 | | SP22460 | SWITCH | 7.50 | |
| SP1233 | HEX NZCT | .15 | | SP22472 | PIN | .15 | |
| SP1233 | HEX NZCT | .15 | | SP22473 | PIN | .15 | |
| SP1233 | HEX NZCT | .15 | | SP22474 | PIN | .15 | |
| SP1233 | HEX NZCT | .15 | | SP22475 | GITS OILER | .25 | |
| SP1233 | HEX NZCT | .15 | | SP22476 | GITS OILER | .50 | |
| SP1233 | HEX NZCT | .15 | | SP22478 | OIL SEAL | .60 | |
| SP1233 | HEX NZCT | .15 | | SP22479 | OIL CUP | .70 | |
| SP1233 | HEX NZCT | .15 | | SP22480 | CONNECTOR | .30 | |
| SP1233 | HEX NZCT | .15 | | SP22483 | OILER | 7.85 | |
| SP1233 | HEX NZCT | .15 | | SP22486 | GITS OILER | .20 | |
| SP1233 | HEX NZCT | .15 | | SP22487 | DOVEL PIN | .30 | |
| SP1233 | HEX NZCT | .15 | | SP22488 | TAPER PIN | .15 | |
| SP1233 | HEX NZCT | .15 | | SP22489 | PIN | .15 | |
| SP1233 | HEX NZCT | .15 | | SP22491 | PIN | .15 | |
| SP1233 | HEX NZCT | .15 | | SP22492 | OIL CUP | 1.05 | |
| SP1233 | HEX NZCT | .15 | | SP22493 | TAPER PIN | .15 | |
| SP1233 | HEX NZCT | .15 | | SP22494 | OIL CUP | .35 | |
| SP1233 | HEX NZCT | .15 | | SP22495 | OIL CUP | 1.15 | |
| SP1233 | HEX NZCT | .15 | | SP22496 | PIN | .15 | |
| SP1233 | HEX NZCT | .15 | | SP22497 | PIN | .15 | |
| SP1233 | HEX NZCT | .15 | | SP22498 | CONNECTOR | .15 | |
| SP1233 | HEX NZCT | .15 | | SP22499 | TERMINAL | .15 | |
| SP1233 | HEX NZCT | .15 | | SP22502 | NIPPLE | .25 | |
| SP1233 | HEX NZCT | .15 | | SP22503 | NIPPLE | .20 | |
| SP1233 | HEX NZCT | .15 | | SP22505 | PIPE PLUG | .15 | |
| SP1233 | HEX NZCT | .15 | | SP22506 | FITTING | .25 | |
| SP1233 | HEX NZCT | .15 | | SP22509 | INVERTED NUT | .15 | |
| SP1233 | HEX NZCT | .15 | | SP22511 | CONNECTOR | .25 | |

PARTS PRICE LIST

| PART NUMBER | DESCRIPTION | PRICE | | PART NUMBER | DESCRIPTION | PRICE | |
|-------------|---------------|-------|--|-------------|--------------|-------|--|
| | | LIST | | | | LIST | |
| SP2512 | PORT COCK | 1.40 | | SP3539 | PIPE BUSHING | .35 | |
| SP2513 | PORT FILING | .35 | | SP3540 | PIPE BUSHING | .35 | |
| SP2515 | PORT COCK | 2.20 | | SP3541 | PIPE ELBOW | .40 | |
| SP2516 | FITTING | .45 | | SP3542 | PIPE BRANCH | .85 | |
| SP2519 | NIPPLE | .45 | | SP3543 | PIPE ELBOW | .50 | |
| SP2521 | OIL CUP | .60 | | SP3544 | PIPE BUSHING | .50 | |
| SP2522 | ELBOW | .35 | | SP3545 | PIPE ELBOW | .60 | |
| SP2523 | NIPPLE | .50 | | SP3546 | PIPE NIPPLE | .30 | |
| SP2600 | KEY | .15 | | SP3552 | PIPE | .65 | |
| SP2601 | KEY | .15 | | SP3553 | PIPE | .95 | |
| SP2603 | KEY | .15 | | SP3554 | PIPE | 1.05 | |
| SP2605 | KEY | .15 | | SP3557 | PIPE | .95 | |
| SP2606 | KEY | .15 | | SP3558 | PIPE | 1.05 | |
| SP2607 | KEY | .15 | | SP3559 | PIPE | 1.30 | |
| SP2615 | KEY | .35 | | SP3562 | PIPE | .70 | |
| SP2650 | KEY | .15 | | SP3563 | PIPE | 1.30 | |
| SP2651 | KEY | .15 | | SP3565 | PIPE | 1.30 | |
| SP2653 | KEY | .15 | | SP3569 | PIPE | 1.05 | |
| SP2654 | KEY | .15 | | SP3570 | PIPE | .50 | |
| SP2655 | KEY | .15 | | SP3571 | PIPE | 1.65 | |
| SP2657 | KEY | .20 | | SP3800 | SCREW | .15 | |
| SP2658 | KEY | .20 | | SP3801 | SCREW | .15 | |
| SP2659 | KEY | .15 | | SP5001 | OIL GAGE | 2.20 | |
| SP2661 | KEY | .15 | | SP5002 | HOSE CLAMP | .25 | |
| SP2662 | STRAIGHT KEY | .15 | | SP5003 | NOT SOLD | | |
| SP2701 | STEEL PIN | .15 | | SP5004 | OILER | 2.80 | |
| SP2704 | STEEL PIN | .15 | | SP5005 | TERMINAL | .15 | |
| SP2706 | STEEL PIN | .15 | | SP5006 | TERMINAL | .30 | |
| SP2707 | STEEL PIN | .15 | | SP5008 | OIL SEAL | .60 | |
| SP2710 | STEEL PIN | .15 | | SP5009 | PIN | .15 | |
| SP2711 | PIN | .15 | | SP5016 | TERMINAL | .15 | |
| SP2712 | ROLL PIN | .15 | | SP5020 | DRIVE SCREW | .15 | |
| SP3000 | SCREW | .15 | | SP5022 | WIRE NUT | .15 | |
| SP3001 | SCREW | .15 | | SP5026 | CONNECTOR | .50 | |
| SP3002 | SCREW | .15 | | SP5027 | PLUG | 7.00 | |
| SP3003 | SCREW | .15 | | SP5028 | RECEPTACLE | 5.60 | |
| SP3004 | SCREW | .15 | | SP5038 | CROWL PIN | .15 | |
| SP3006 | SCREW | .15 | | SP5046 | GROOVE PIN | .15 | |
| SP3100 | CAP SCREW | .25 | | SP5048 | GROOVE PIN | .15 | |
| SP3101 | CAP SCREW | .20 | | SP5070 | ROLL PIN | .15 | |
| SP3102 | CAP SCREW | .15 | | SP5072 | ROLL PIN | .15 | |
| SP3103 | CAP SCREW | .25 | | SP5075 | ROLL PIN | .15 | |
| SP3105 | CAP SCREW | .20 | | SP5079 | ROLL PIN | .15 | |
| SP3107 | CAP SCREW | .20 | | SP5080 | TAPER PIN | .15 | |
| SP3108 | MACHINE SCREW | .15 | | SP7000 | RETAINER | .15 | |
| SP3109 | CAP SCREW | .20 | | SP7002 | RETAINER | .15 | |
| SP3111 | CAP SCREW | .25 | | SP7008 | RETAINER | .15 | |
| SP3112 | CAP SCREW | .20 | | SP7072 | TAPER PIN | .15 | |
| SP3113 | HEX SCREW | .15 | | SP7073 | TAPER PIN | .15 | |
| SP3114 | CAP SCREW | .20 | | SP7074 | GITS OILER | .25 | |
| SP3115 | HEX SCREW | .15 | | SP7075 | GITS OILER | .65 | |
| SP3117 | CAP SCREW | .15 | | SP7076 | GITS OILER | .35 | |
| SP3118 | CAP SCREW | .15 | | SP7077 | GROOV PIN | .15 | |
| SP3119 | CAP SCREW | .20 | | SP7078 | GROOV PIN | .15 | |
| SP3133 | CAP SCREW | .20 | | SP7079 | GROOV PIN | .15 | |
| SP3303 | CAP SCREW | .50 | | SP7080 | GROOV PIN | .15 | |
| SP3304 | CAP SCREW | .50 | | | | | |
| SP3300 | PIPE TEE | 1.15 | | | | | |
| SP3501 | PIPE TEE | .85 | | | | | |
| SP3502 | PIPE TEE | .70 | | | | | |
| SP3506 | COUPLING | .35 | | | | | |
| SP3507 | PIPE NIPPLE | .20 | | | | | |
| SP3510 | PIPE NIPPLE | .25 | | | | | |
| SP3512 | PIPE NIPPLE | .20 | | SR1010 | TABLE | 21.15 | |
| SP3515 | PIPE NIPPLE | .70 | | SR2000 | LEFT LEG | .95 | |
| SP3516 | PIPE NIPPLE | .60 | | SR2004 | R REAR LEG | 1.10 | |
| SP3517 | PIPE NIPPLE | .50 | | SR2005 | R FRONT LEG | 1.10 | |
| SP3518 | PIPE NIPPLE | .25 | | SR2006 | BRACKET | 2.95 | |
| SP3519 | PIPE NIPPLE | .25 | | SR2007 | BRACKET ASSY | 24.80 | |
| SP3521 | PIPE NIPPLE | .25 | | SR2008 | SLEEVE ASSEM | 17.25 | |
| SP3522 | PIPE NIPPLE | .30 | | SR2009 | PLATE | 1.80 | |
| SP3524 | PIPE PLUG | .15 | | SR2009 | BELT GUARD | 5.30 | |
| SP3525 | PIPE PLUG | .25 | | SR213 | STUD | .30 | |
| SP3526 | PIPE UNION | 1.65 | | SR214 | CLAMP SLEEVE | .60 | |
| SP3527 | PIPE UNION | 2.10 | | SR215 | CLAMP SLEEVE | .50 | |
| SP3528 | PIPE ELBOW | .95 | | SR216 | SLEEVE | .50 | |
| SP3530 | PIPE ELBOW | .50 | | SR217 | CLAMP HANDLE | .45 | |
| SP3532 | PIPE ELBOW | .60 | | SR218 | NUT | .50 | |
| SP3533 | PIPE ELBOW | .50 | | SR221 | TIE ROD | .25 | |
| SP3534 | PIPE REDUCER | .60 | | SR222 | SPINDLE | 2.50 | |
| SP3535 | PIPE REDUCER | .45 | | SR222S | SPINDLE ASSY | 3.20 | |
| SP3538 | PIPE REDUCER | .60 | | SR223 | STEEL PIN | .15 | |
| | | | | SR224 | PULLEY | 1.45 | |

SR

PARTS PRICE LIST

| PART NUMBER | DESCRIPTION | PRICE | | PART NUMBER | DESCRIPTION | PRICE | |
|-------------|---------------|--------|--|-------------|---------------|--------|--|
| | | LIST | | | | LIST | |
| SR225 | STUD | .45 | | TAB148S | STUD W KNOB | .65 | |
| SR226 | COLLAR | .55 | | TAB149S | KNOB ASSEM. | .95 | |
| SR227 | CONE | .25 | | TAB150 | FRONT BLOCK | 2.10 | |
| SR228 | COIL SPRING | .15 | | TAB150S | BLOCK ASSEM | 4.30 | |
| SR230 | NUT | .60 | | TAB151A | RIP FENCE | 2.80 | |
| SR231 | SPINDLE | 2.65 | | TAB151S | FENCE ASSEM | 7.95 | |
| SR231S | SPINDLE ASSY | 2.80 | | TAB153 | SPACER | .15 | |
| SR232 | ORDER AS 1190 | | | TAB154 | GUARD FRONT | 1.85 | |
| SR233 | CAP SCREW | .30 | | TAB155 | GUARD REAR | 1.15 | |
| SR234 | LOCKWASHER | .15 | | TAB156 | ADAPTER | .85 | |
| SR235 | NUT | .15 | | TAB158 | STEEL SLEEVE | 1.15 | |
| SR236 | BUSHING | .20 | | TAB159 | STEEL PLATE | .25 | |
| SR237 | TABLE INSERT | .30 | | TAB160 | HAND KNOB | .50 | |
| SR238 | LOCKWASHER | .15 | | TAB161 | STUD | .15 | |
| SR242 | SAME AS 1524 | | | TAB162 | COLLAR | .35 | |
| SR243 | POWER CORD | 1.80 | | TAB163 | HAND KNOB. | .20 | |
| SR244 | BUSHING | .15 | | TAB165S | HAND WHEEL | 2.40 | |
| SR245 | BUSHING | .15 | | TAB166 | SPLITTER | 1.75 | |
| SR247 | HOG RING | .15 | | TAB166A | SPLITTER ASSY | 4.30 | |
| SR249 | SHIM WASHER | .15 | | TAB166S | ORDER 34 967 | | |
| SR250 | SPRING | .15 | | TAB167 | FIBER WASHER | .15 | |
| SR253 | TABLE INSERT | .35 | | | | | |
| SR254 | TABLE INSERT | .35 | | | | | |
| SR255 | NAME PLATE | .25 | | | | | |
| SR259 | SWITCH PLATE | .20 | | | | | |
| SR261 | PLATE | 2.65 | | | | | |
| SR262 | GUARD COVER | 2.80 | | | | | |
| SR263 | GUARD PAN | 4.10 | | | | | |
| SR272 | SHIM BLOCK | .45 | | | | | |
| SR273 | CAP SCREW | .45 | | | | | |
| SR275 | MOTOR PLATE | 3.80 | | | | | |
| SR276 | BELT GUARD | 1.40 | | | | | |
| SR277 | PULLEY GUARD | 1.15 | | | | | |
| SR278 | FRONT LEG | 2.00 | | | | | |
| SR279 | TABLE SUPPORT | 11.20 | | | | | |
| SR280S | ORDER 43 803 | | | | | | |
| | T | | | | | | |
| T100A | BAR HOLDER | 3.15 | | | | | |
| T100S | HOLDER SCREW | 3.35 | | | | | |
| T102 | SCREW | .25 | | | | | |
| T103 | SAME AS 1527 | | | | | | |
| T126 | SHIM PLATE | .15 | | | | | |
| | TAB | | | | | | |
| TAB101 | TABLE | 1 3.80 | | TAM101 | TABLE | 37.85 | |
| TAB102 | BRACKET | 2.30 | | TAM102 | SIDE TABLE | 13.75 | |
| TAB103 | BRACKET | .90 | | TAM103 | TRUNNION BRKT | 10.50 | |
| TAB104 | F TRUNNION | 4.85 | | TAM104S | TRUNNION ASSY | 17.25 | |
| TAB105 | R TRUNNION | 1.60 | | TAM105 | ARBOR BRACKET | 8.20 | |
| TAB106A | BRACKET ASSY | 3.95 | | TAM105S | BRACKET ASSEM | 20.15 | |
| TAB106S | BRACKET COMP | 1 5.45 | | TAM106 | TRUNNION BRKT | 3.15 | |
| TAB108 | PLATE | .50 | | TAM107 | TRUNNION | 4.50 | |
| TAB109 | MOTOR BRKT | 1.45 | | TAM108 | MOTOR BRKT | 4.70 | |
| TAB109S | BRACKET ASSY | 1.90 | | TAM109 | CLAMP BLOCK | 4.05 | |
| TAB110S | CABINET | 1 0.70 | | TAM109S | BLOCK ASSEM | 6.35 | |
| TAB117 | MOTOR PLATE | .85 | | TAM110 | SPLITTER | 2.25 | |
| TAB123 | POINTER | .70 | | TAM110S | SPLITTER ASSY | 4.60 | |
| TAB123S | POINTER ASSY | .85 | | TAM111 | BRACKET | .70 | |
| TAB124 | SPACER | .60 | | TAM112 | BRACKET | .85 | |
| TAB125 | STEEL SHAFT | .30 | | TAM112S | BRACKET ASSEM | 4.05 | |
| TAB127S | SHAFT ASSY | 1.00 | | TAM113 | BRACKET | 1.10 | |
| TAB129S | SHAFT ASSY | 1.40 | | TAM113S | BRACKET ASSEM | 5.15 | |
| TAB130 | TIE ROD | 2.65 | | TAM114 | CLAMP PLATE | .25 | |
| TAB131 | STEEL ROD | .25 | | TAM115 | STEEL BAR | .55 | |
| TAB132 | STUD | .45 | | TAM116A | ARBOR | 2.90 | |
| TAB133 | SPLITTER | .50 | | TAM118 | RIP FENCE | 5.50 | |
| TAB134 | GUARD BASKET | 2.30 | | TAM118S | FENCE ASSEM | 1 7.00 | |
| TAB136 | TILT SCALE | .45 | | TAM119 | TIE ROD | 3.15 | |
| TAB137S | ARBOR ASSY | 2.55 | | TAM121 | SLEEVE | .65 | |
| TAB138 | SWITCH PLATE | .30 | | TAM127 | STEEL PLATE | .60 | |
| TAB140 | ORDER 34 964 | | | TAM128 | STEEL PLATE | .60 | |
| TAB146 | WASHER | .15 | | TAM130A | BLADE GUARD | 4.05 | |
| TAB148 | ADJ KNOB | .45 | | TAM130S | ORDER 34 831 | | |
| | | | | TAM132 | SLEEVE | 2.00 | |
| | | | | TAM132S | SHAFT ASSY | 3.45 | |
| | | | | TAM135 | SPACER NUT | .35 | |
| | | | | TAM134 | STEEL SHAFT | 1.00 | |
| | | | | TAM136 | STEEL SHAFT | 1.00 | |
| | | | | TAM136S | SHAFT ASSEM | 3.45 | |
| | | | | TAM137S | STUD W KNOB | .60 | |
| | | | | TAM138 | COVER PLATE | .65 | |
| | | | | TAM139 | STEEL SHAFT | .65 | |
| | | | | TAM140 | STEEL SHAFT | .30 | |
| | | | | TAM141 | F GUIDE RAIL | 3.50 | |
| | | | | TAM141S | F RAIL ASSY | 4.60 | |
| | | | | TAM142S | R RAIL ASSY | 3.45 | |
| | | | | TAM143 | SADDLE BLOCK | .20 | |
| | | | | TAM144 | CAP SCREW | .25 | |
| | | | | TAM145 | WEDGE | .25 | |
| | | | | TAM146 | BUSHING | .25 | |
| | | | | TAM147 | COIL SPRING | .15 | |
| | | | | TAM148S | STUD W KNOB | .60 | |
| | | | | TAM149 | R CLAMP BLOCK | .90 | |
| | | | | TAM149S | BLOCK ASSEM | 5.20 | |
| | | | | TAM150 | COLLAR | .25 | |
| | | | | TAM151 | LINK | .50 | |
| | | | | TAM152 | HOOK | .20 | |
| | | | | TAM153 | STUD | .15 | |
| | | | | TAM154 | HAND KNOB | .35 | |

PARTS PRICE LIST

| PART NUMBER | DESCRIPTION | PRICE | | PART NUMBER | DESCRIPTION | PRICE | |
|-------------|--------------|-------|--|-------------|---------------|--------|--|
| | | LIST | | | | LIST | |
| TAM160 | SPRING CLIP | .15 | | TAS 89 | STUD | .30 | |
| TAM166S | CABINET | 28.75 | | TAS 91 | STEEL PIN | .30 | |
| TAM172 | SCALE | .30 | | TAS 92 | STOP ROD | 2.30 | |
| TAM173 | END PLUG | .20 | | TAS 92S | RODS W CLAMPS | 3.75 | |
| TAM174 | POINTER | .15 | | TAS 93 | STOP ROD | .50 | |
| TAM175 | ARM | .50 | | TAS 94 | SCREW | .45 | |
| TAM176 | SWITCH PLATE | .30 | | TAS 95 | NAME PLATE | .30 | |
| TAM180 | WASHER | .15 | | TAS 96 | CLAMP PLATE | .45 | |
| TAM181 | LOCK PIN | .15 | | TAS 96S | CLAMP ASSY | .50 | |
| TAM182 | CLAMP PLATE | .35 | | TAS100 | R CLAMP BLOCK | 1.40 | |
| TAM183 | HANDLE KNOB | .15 | | TAS100S | BLOCK ASSY | 2.30 | |
| TAM184 | SPRING | .15 | | TAS101 | HOOK | .95 | |
| TAM186 | DEFLECTOR | .65 | | TAS102 | LEVER | .30 | |
| TAM187S | CLAMP RING | 1.05 | | TAS103 | STEEL PINS | .30 | |
| TAM189S | SHAFT ASSY | .95 | | TAS104 | COIL SPRING | .30 | |
| | | | | TAS105 | SPRING CAP | .30 | |
| | | | | TAS106 | CAP NUT | .30 | |
| | | | | TAS107 | CLAMP ROD | .60 | |
| | | | | TAS108 | STEEL PIN | .30 | |
| | | | | TAS109 | STEEL PIN | .30 | |
| | | | | TAS110 | SET SCREW | 1.40 | |
| | | | | TAS112 | BRASS PLUG | .30 | |
| | | | | TAS113 | COIL SPRING | .30 | |
| | | | | TAS114 | STUD | .50 | |
| | | | | TAS115 | COIL SPRING | .50 | |
| | | | | TAS117 | CAP SCREW | .30 | |
| | | | | TAS118 | SADDLE BLOCK | .30 | |
| | | | | TAS120S | HAND KNOB | 1.15 | |
| | | | | TAS121 | SLEEVE | .60 | |
| | | | | TAS122 | F GUIDE RAIL | 1 0.35 | |
| | | | | TAS122A | RAIL W PLUGS | 1 1.50 | |
| | | | | TAS123 | R GUIDE RAIL | 8.05 | |
| | | | | TAS123A | RAIL W PLUGS | 1 0.35 | |
| | | | | TAS130 | SIDE PANEL | 2.50 | |
| | | | | TAS130S | BASKET ASSY | 9.20 | |
| | | | | TAS131 | SPACER | 1.75 | |
| | | | | TAS132 | SPACER | 1.15 | |
| | | | | TAS133 | REAR SPACER | 1.15 | |
| | | | | TAS134 | SPLITTER | 1.15 | |
| | | | | TAS134S | GUARD ASSY | 1 6.70 | |
| | | | | TAS135 | STEEL BAR | .45 | |
| | | | | TAS136 | ARM | .30 | |
| | | | | TAS137 | FINGER | .30 | |
| | | | | TAS138 | FINGER | .30 | |
| | | | | TAS140 | STEEL WASHER | .30 | |
| | | | | TAS141 | SUPPORT ROD | 1.15 | |
| | | | | TAS141S | ROD W BRKT | 2.80 | |
| | | | | TAS142 | POWER CORD | 3.45 | |
| | | | | TAS142S | MOTOR LEAD | 4.60 | |
| | | | | TAS143 | POWER CORD | 3.45 | |
| | | | | TAS143S | MOTOR LEAD | 4.60 | |
| | | | | TAS145 | POWER CORD | 3.45 | |
| | | | | TAS145S | MOTOR LEAD | 4.60 | |
| | | | | TAS146 | POWER CORD | 3.45 | |
| | | | | TAS146S | MOTOR LEAD | 4.60 | |
| | | | | TAS150 | POWER CORD | 3.45 | |
| | | | | TAS150S | MOTOR LEAD | 4.60 | |
| | | | | TAS151 | POWER CORD | 3.45 | |
| | | | | TAS151S | MOTOR LEAD | 4.60 | |
| | | | | TAS158 | OUTSIDE SAW | 1 5.75 | |
| | | | | TAS159 | INSIDE CUTTER | 9.85 | |
| | | | | TAS160 | INSIDE CUTTER | 8.20 | |
| | | | | TAS161 | INSIDE CUTTER | 5.55 | |
| | | | | TAS172 | COLLAR | .60 | |
| | | | | TAS174 | CLAMP LEVER | 7.50 | |
| | | | | TAS174S | CLAMP LEVER | 7.95 | |
| | | | | TAS175 | BEARING BLOCK | .25 | |
| | | | | TAS179 | WRENCH | 1.15 | |
| | | | | TAS185 | POINTER | .15 | |
| | | | | | | | |
| | | | | | TBS | | |
| | | | | TBS 4 | JAM NUT | .25 | |
| | | | | TBS 33R | LOWER WHEEL | 3.55 | |
| | | | | | | | |
| | | | | | TCS | | |
| | | | | TCS201 | TABLE | 38.25 | |
| | | | | TCS202 | BASE | 19.85 | |
| | | | | TCS203 | TRUNNION BRKT | 19.80 | |

PARTS PRICE LIST

| PART NUMBER | DESCRIPTION | PRICE | | PART NUMBER | DESCRIPTION | PRICE | |
|-------------|---------------|-------|--|-------------|---------------|-------|--|
| | | LIST | | | | LIST | |
| TC9204 | TRUNNION | 2.95 | | TC9316A | GUARD PAN | 4.70 | |
| TC9204S | TRUNNION ASSY | 3.55 | | TC9316S | ORDER AS 1173 | | |
| TC9205 | TRUNNION | 1.80 | | TC9317A | GUARD COVER | 5.55 | |
| TC9205S | TRUNNION ASSY | 2.95 | | TC9318 | SLEEVE | .25 | |
| TC9206 | CLAMP SHOE | .35 | | | | | |
| TC9207S | ORDER AS 1163 | | | | VSL | | |
| TC9208S | ORDER AS 1161 | | | | | | |
| TC9209S | ORDER AS 1162 | | | | | | |
| TC9210S | SHAFT ASSY | 1.00 | | VSL 6 | WICK | .15 | |
| TC9211A | SCREW W GEAR | 2.75 | | VSL 7 | COVER | .15 | |
| TC9212 | SNAP SPRING | .15 | | | | | |
| TC9215 | COLLAR | .25 | | | WL | | |
| TC9214 | BUSHING | .55 | | | | | |
| TC9215S | SHAFT COLLAR | 2.20 | | WL 2 | HORNS | 2.55 | |
| TC9217 | JAM NUT | .25 | | WL 3 | LEVER ARM | .50 | |
| TC9218 | EYE BOLT | .60 | | WL 6 | LEVER | 1.50 | |
| TC9219 | DOWEL PIN | .15 | | WL 7 | BRACKET | 1.05 | |
| TC9220 | STUD | .25 | | WL 8 | ELECTRODE | 1.30 | |
| TC9221 | COLLAR | .45 | | WL 10 | MAGNET | 2.60 | |
| TC9221S | COLLAR SCREW | .50 | | WL 10S | ARM ASSY | 4.60 | |
| TC9223 | SLEEVE | .45 | | WL 26 | SPRING BRKT | 1.00 | |
| TC9224 | CLOSURE NUT | .20 | | WL 37 | BODY | 1.30 | |
| TC9225 | POINTER | .15 | | WL 38 | TIP | .65 | |
| TC9226 | HEIGHT SCALE | .25 | | WL 45 | ROCKER BAR | .45 | |
| TC9227 | FIBER WASHER | .15 | | WL 46 | PIN | .55 | |
| TC9228 | POINTER | .15 | | WL 47 | PIN | .20 | |
| TC9229 | TILT SCALE | .25 | | WL 48 | PIVOT PIN | .50 | |
| TC9232 | COIL SPRING | .15 | | WL 49 | HOSE | 2.75 | |
| TC9233 | STUD | .20 | | WL 50 | SPRING | 2.00 | |
| TC9234 | BRACKET NUT | .60 | | WL 51 | STUD | .25 | |
| TC9235 | STUD | .20 | | WL 52 | SPECIAL NUT | .75 | |
| TC9236 | CIB | .30 | | WL 53 | BUSHING | .50 | |
| TC9238 | NAME PLATE | .25 | | WL 54 | CAM LEVER | .35 | |
| TC9239 | KEY | .15 | | WL 56 | STUD | .35 | |
| TC9240 | ARM | 5.35 | | WL 57 | SPRING | .35 | |
| TC9241 | GUARD BASKET | 5.75 | | WL 58 | BRACKET | .30 | |
| TC9242 | MOUNTING BRKT | 3.50 | | WL 59 | STEEL BAR | .75 | |
| TC9243 | PIVOT ARM | 2.95 | | WL 62S | ELEVATING SCR | 1.15 | |
| TC9244 | SPLITTER | 1.45 | | WL 63 | SPECIAL NUT | .75 | |
| TC9245 | SPLITTER | 1.65 | | WL 64 | SCREW CASTING | .85 | |
| TC9245S | SPLITTER ASSY | 3.15 | | WL 64S | RAISING ASSY | 8.65 | |
| TC9246 | SPLITTER | 1.90 | | WL 65 | SHAFT | .25 | |
| TC9247S | LOCK BOLT | .65 | | WL 66 | PIN | .20 | |
| TC9249 | SET COLLAR | .50 | | WL 67 | POINTER | .20 | |
| TC9249S | COLLAR SCREW | .60 | | WL 68X | NAME PLATE | 1.30 | |
| TC9250 | STEEL PIN | .15 | | WL 69 | CLAMP | .25 | |
| TC9251 | SCREW | .25 | | WL 72 | FIBER BUSHING | .20 | |
| TC9252 | FINGER | .25 | | WL 75S | LEAD WIRES | .50 | |
| TC9253 | FINGER | .20 | | WL 74 | SPECIAL SCREW | .15 | |
| TC9254 | FINGER | .20 | | WL 75 | TERMINAL PLT | 1.50 | |
| TC9255 | FINGER | .15 | | WL 75S | CONTACTOR | 1.15 | |
| TC9256 | FINGER | .15 | | WL 76 | STRAP | .20 | |
| TC9257 | STEEL PIN | .25 | | WL 77 | STRAP | .15 | |
| TC9258 | WASHER | .15 | | WL 78 | MAGNET ARM | .75 | |
| TC9259 | FINGER | .25 | | WL 80S | PULL ROD ASSY | .70 | |
| TC9261 | R CLAMP BLOCK | .85 | | WL 81 | GUIDE STUD | .15 | |
| TC9261R | CLAMP COMP | 1.60 | | WL 82 | BUSHING | .30 | |
| TC9263 | HOOK | .35 | | WL 84 | JUMPER LEAD | .45 | |
| TC9264 | LEVER | .15 | | WL 85 | TERMINAL | .35 | |
| TC9265 | STEEL PIN | .15 | | WL 86 | SPACER TUBE | .15 | |
| TC9270 | STUD | .20 | | WL 87 | SPRING | .20 | |
| TC9271 | POINTER | .15 | | WL 88 | SPRING | .20 | |
| TC9272S | PINION ASSY | 1.10 | | WL 89 | SPRING | .20 | |
| TC9277A | ARBOR | 2.65 | | WL 92 | NAME PLATE | 1.30 | |
| TC9277U | ARBOR ASSY | 9.20 | | WL 93 | NAME PLATE | 1.30 | |
| TC9279 | REAL RAIL | 2.60 | | WL 94 | COVER PLATE | .45 | |
| TC9279S | RAIL ASSY | 4.10 | | WL 95 | HOLDER HEAD | .65 | |
| TC9280 | FRONT RAIL | 3.75 | | WL 96 | TUBE | .30 | |
| TC9280S | RAIL ASSY | 5.20 | | WL 98 | YOKE ROD | .75 | |
| TC9281 | SADDLE BLOCK | .20 | | WL 99 | PULL ROD | .70 | |
| TC9283 | BRACKET | .15 | | WL100 | BRACKET | 2.00 | |
| TC9284 | END PLUG | .25 | | WL101 | CLEVIS PIN | .55 | |
| TC9287 | BUSHING | .15 | | WL103 | CABLE | 5.20 | |
| TC9288 | SPRING | .25 | | WL105 | HOSE | 1.05 | |
| TC9290 | SPECIAL SCREW | .15 | | WL108 | CLAMP | .25 | |
| TC9291 | SPEC WASHER | .15 | | WL109 | BUSHING | .25 | |
| TC9294 | GUARD | 2.15 | | WL110 | SCALE PLATE | .25 | |
| TC9295 | NAME PLATE | .20 | | | | | |
| TC9301 | GUARD PAN | 2.00 | | | | | |
| TC9302 | GUARD COVER | 1.85 | | | | | |
| TC9305 | STUD | .35 | | | | | |
| TC9306 | SLEEVE | .25 | | | | | |

PARTS PRICE LIST

| PART NUMBER | DESCRIPTION | PRICE | | PART NUMBER | DESCRIPTION | PRICE | |
|-------------|---------------|-------|--|-------------|--------------|--------|--|
| | | LIST | | | | LIST | |
| WL112 | CONTACT POINT | .60 | | MG 9515 | POINTER | .25 | |
| WL113A | POWER CABLE | 5.75 | | MG 9516 | BEVEL SCALE | .35 | |
| WL123X | FRAME ASSY | 28.75 | | MG 9517 | MOTOR PLATE | 2.40 | |
| WL123Y | FRAME ASSY | 28.75 | | MG 9518 | MOTOR PLATE | 1.90 | |
| WL125X | FRAME ASSY | 28.75 | | MG 9520 | COLLAR | 1.65 | |
| WL128S | HOOD ASSY | 9.20 | | MG 9521 | COLLAR | 1.15 | |
| WL150 | INSULATION | .30 | | MG 9522 | COLLAR | 2.60 | |
| WL131 | NUT | .25 | | MG 9523 | ROD CLIP | .55 | |
| WL132 | WIRE SCREEN | .70 | | MG 9524 | YOKE ROD | .55 | |
| WL135 | PIN | .15 | | MG 9526 | ADJ SCREW | 1.15 | |
| WL136 | PIN | .15 | | MG 9529 | WASHER | .50 | |
| WL137 | WASHER | .15 | | MG 9530S | SWITCH CORD | 1.40 | |
| WL142 | TERMINAL | .30 | | MG 9531 | POWER CORD | 3.00 | |
| WL144 | JACK SOCKET | 1.50 | | MG 9532 | INS COVER | .35 | |
| WL145 | JACK PLUG | 1.65 | | MG 9534 | ARBOR NUT | 1.00 | |
| WL159 | HOLDER | 3.45 | | MG 9535 | HUBBELL CAP | .80 | |
| WL160 | SWIVEL CASTER | 1.65 | | MG 9536 | HUBBELL BODY | 1.55 | |
| | | | | MG 9537 | STUD | .25 | |
| | | | | MG 9538 | CONNECTOR | .70 | |
| | | | | MG 9539 | PLUG | .95 | |
| | | | | MG 9600A | GUARD | 16.00 | |
| | | | | MG 9600S | GUARD ASSY | 20.40 | |
| | | | | MG 9601 | GUARD LEAF | 1.65 | |
| | | | | MG 9602 | GUARD LEAF | 2.75 | |
| | | | | MG 9603 | DUST SPOUT | 1.40 | |
| | | | | MG 9604 | STUD | .25 | |
| | | | | MG 9605 | ROD | .70 | |
| | | | | MG 9605S | ROD ASSY | 1.65 | |
| | | | | MG 9606 | PIN | .40 | |
| | | | | MG 9607 | FINGER | .25 | |
| | | | | MG 9725 | MOTOR ASSY | 69.30 | |
| | | | | MG 9726 | MOTOR ASSY | 69.30 | |
| | | | | MG 9727 | MOTOR ASSY | 69.30 | |
| | | | | MG 9750 | CUTTING HD | 133.50 | |
| | | | | MG 9751 | CUTTING HD | 133.50 | |
| | | | | MG 9752 | CUTTING HD | 133.50 | |
| MG | | | | | | | |
| MG 9000 | TABLE BASE | 28.55 | | | | | |
| MG 9001 | SHAFT HOUSING | 1.85 | | | | | |
| MG 9001S | HOUSING ASSY | 3.95 | | | | | |
| MG 9002 | ELEV SHAFT | .95 | | | | | |
| MG 9003 | MITER GEAR | 2.75 | | | | | |
| MG 9004 | MITER GEAR | 2.75 | | | | | |
| MG 9007 | TABLE SUPPORT | 1.35 | | | | | |
| MG 9008 | REAR FENCE L | .50 | | | | | |
| MG 9009 | REAR FENCE R | .50 | | | | | |
| MG 9010 | FRT FENCE | 1.25 | | | | | |
| MG 9011 | WEDGE | .50 | | | | | |
| MG 9012 | TABLE BOARD F | 6.00 | | | | | |
| MG 9012S | TABLE ASSY | 16.10 | | | | | |
| MG 9013 | TABLE BOARD R | 6.00 | | | | | |
| MG 9014 | BUSHING | .25 | | | | | |
| MG 9015 | BEARING | .45 | | | | | |
| MG 9016 | WASHER | .25 | | | | | |
| MG 9017 | NUT | .25 | | | | | |
| MG 9103 | WRENCH | 1.05 | | | | | |
| MG 9200 | COLUMN BASE | 17.25 | | | | | |
| MG 9200S | BASE ASSY | 18.00 | | | | | |
| MG 9201 | COLUMN | 19.10 | | | | | |
| MG 9201S | COLUMN ASSY | 23.20 | | | | | |
| MG 9202 | ELEV NUT | 2.75 | | | | | |
| MG 9203 | ELEV SCREW | 3.50 | | | | | |
| MG 9204 | BEARING | .90 | | | | | |
| MG 9205S | CRK ASSY | 3.25 | | | | | |
| MG 9300 | ARM | 15.85 | | | | | |
| MG 9301 | RIP SCALE | 1.35 | | | | | |
| MG 9302 | RIP SCALE | .90 | | | | | |
| MG 9400 | TRACK | 19.80 | | | | | |
| MG 9400A | TRACK WRODS | 31.00 | | | | | |
| MG 9402 | MTNG BRKT | 6.45 | | | | | |
| MG 9403S | INDEXING BRKT | 6.70 | | | | | |
| MG 9405 | COVER PLATE | 3.25 | | | | | |
| MG 9406 | MOUNTING STEM | 1.85 | | | | | |
| MG 9407 | ADJ PLATE | .35 | | | | | |
| MG 9408 | LOCK NUT | 1.40 | | | | | |
| MG 9409 | GIB | .45 | | | | | |
| MG 9410 | CLAMP ROD | .75 | | | | | |
| MG 9411 | SLIDE CAP | .70 | | | | | |
| MG 9412 | MITER SCALE | .35 | | | | | |
| MG 9413 | ROD CLIP | .40 | | | | | |
| MG 9414 | KNOB | .95 | | | | | |
| MG 9415 | TRACK ROD | 1.30 | | | | | |
| MG 9416S | BALL RET ASSY | 3.25 | | | | | |
| MG 9418 | BUMPER | .15 | | | | | |
| MG 9500S | YOKE ASSY | 64.20 | | | | | |
| MG 9500A | YOKE | 20.70 | | | | | |
| MG 9501 | LOCK HANDLE | 2.40 | | | | | |
| MG 9501S | HANDLE ASSY | 4.40 | | | | | |
| MG 9503 | TRUN PLATE | 3.05 | | | | | |
| MG 9504 | LOCK SCREW | 1.65 | | | | | |
| MG 9505 | TRUN SLEEVE | 2.95 | | | | | |
| MG 9506S | HANDLE ASSY | 4.80 | | | | | |
| MG 9507 | TRUN COLLAR | 3.40 | | | | | |
| MG 9508 | PIN | .25 | | | | | |
| MG 9511 | SPRING | .40 | | | | | |

AUTHORIZED DELTA PARTS DISTRIBUTORS

These Authorized Parts Distributors have a complete stock of Delta, Homecraft and Radial Saw replacement parts. In most cases, they will be able to ship your parts orders within 48 hours after the order is received. By sending your parts orders to your nearest Distributor, you will save both time and shipping expenses. Because all of our replacement parts are handled by these Distributors, we do not fill any parts orders direct from the factory.

CALIFORNIA

Harron, Rickard & McCone Company
3850 Santa Fe Avenue
Los Angeles 11, California

Delta Equipment Agency
2601 San Pablo
Oakland 12, California

COLORADO

M.L. Foss, Inc.
19th & Arapahoe Place
Denver 1, Colorado

GEORGIA

American Machy. Supply Co.
122 Forsyth Street, S.W.
Atlanta, Georgia

ILLINOIS

Knives & Saws, Inc.
520 N. Cicero Avenue
Chicago 44, Illinois

MARYLAND

Carey Machinery Company
3501 Brehm's Lane
Baltimore 2, Maryland

MASSACHUSETTS

Waite Hardware Company
189 Front Street
Worcester 8, Mass.

MICHIGAN

Waterston's
960 West Eight Mile Rd.
Detroit, Michigan

MINNESOTA

Warner Hardware Company
1423 Hennepin Avenue
Minneapolis 3, Minnesota

MISSOURI

Forslund Pump & Machinery
1717 Main Street
Kansas City 8, Missouri

Central Hardware Company
4204 N. Union Street
St. Louis 15, Missouri

NEW YORK

Karle Saw Company
142 Chicago Street
Buffalo 4, New York

Rudolf Bass
173 Lafayette Street
New York 13, New York

NORTH CAROLINA

Industrial Hdwe. & Supply Co.
216 East 6th Street
Charlotte 1, North Carolina

OHIO

William T. Johnston
210 Vine Street
Cincinnati, Ohio

W. M. Pattison Supply
777 Rockwell Avenue
Cleveland 14, Ohio

OKLAHOMA

Mideke Supply Company
100 E. Main Street
Oklahoma City, Oklahoma

PENNSYLVANIA

Delta Equipment Company
148 N. Third Street
Philadelphia 6, Penn.

Tranter Mfg. Company
105 Water Street
Pittsburgh 22, Penn.

WASHINGTON

Star Machinery Company
1741 First Avenue South
Seattle 4, Washington

WISCONSIN

Voell Machinery Company
1533 North 16th Street
Milwaukee 5, Wisconsin