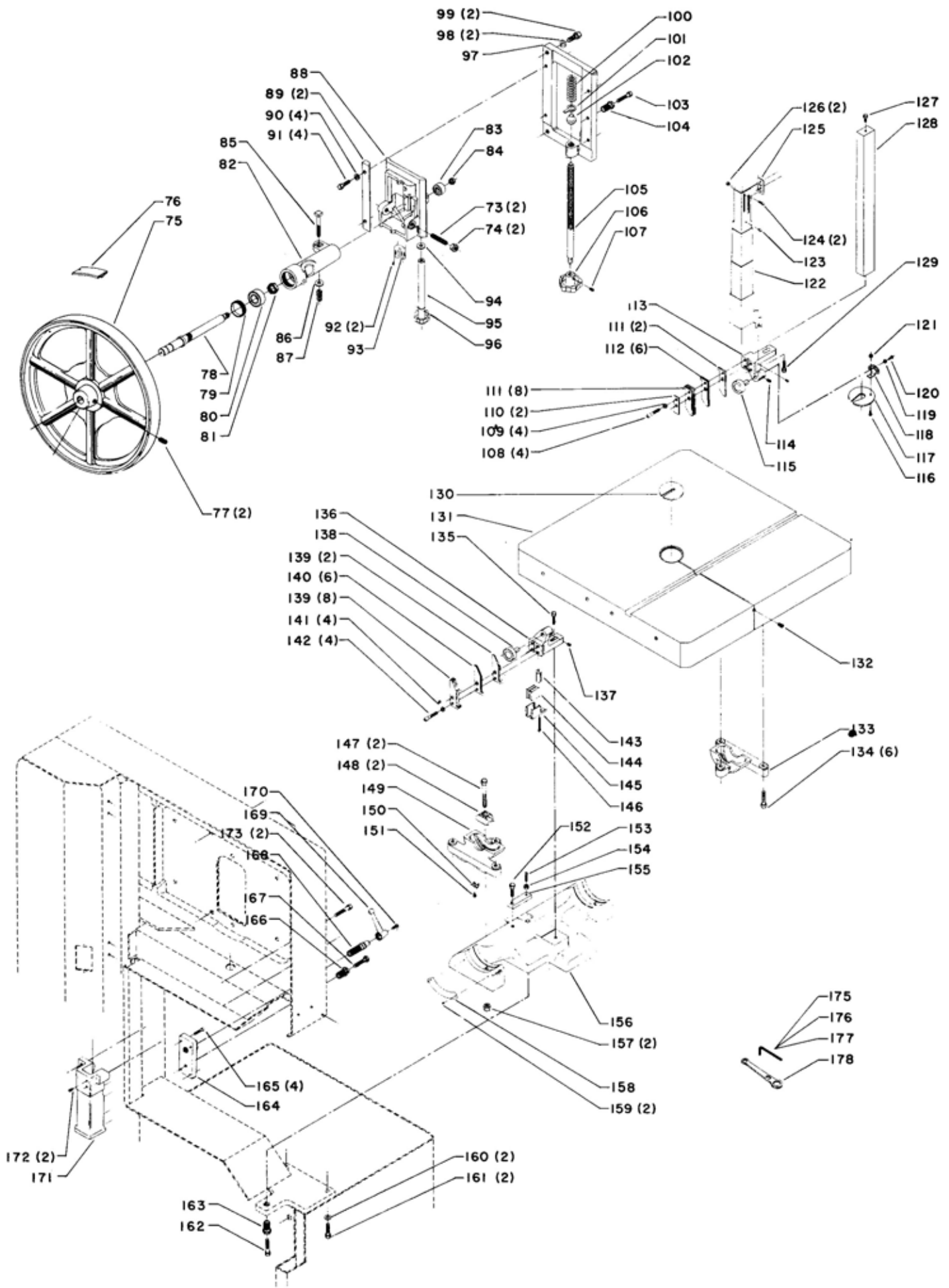


Replacement Parts

Ref. No.	Part No.	Description	Ref. No.	Part No.	Description
1	426-05-349-5005	Frame Assembly	38	SP-559	#10-32 x 1/2" Rd. Hd. Scr.
2	426-05-072-5029	Speed Control Plate	39	CBS-112	Deflector
3	426-05-055-5002	Guide	40	CBS-67	Chute
4	SP-286	#8-32 x 1/4" Soc. Set Scr.	41	SP-1615	13/32 x 13/16 x 1/16" Washer
5	426-05-328-5001	Clutch Assembly	42	SP-648	3/8-16 x 1 1/4" Hex. Hd. Scr.
6	SP-763	1/4-20 x 3/8" Soc. Hd. Scr.	43	SP-1203	#10-32 Hex. Nut
7	SP-2250	#4 x 3/16" Drive Screw	44	SP-1026	3/8"-16 Hex. Nut
8	426-05-075-5001	Pointer	45	438-01-011-0021	Insulator
9	SP-554	#8-32 x 1/2" Rd. Hd. Scr.	46	906-00-000-8720	Hose Fitting
10	426-05-072-5030	Blade Chart Plate		Cat. No. 28-709	Chip Blower, consisting of:
11	SP-2250	#4 x 3/16" Drive Screw	47	426-05-361-5001	Hose Assembly (Spout w/Nozzle)
12	SP-514	1/4-20 x 3/8" Rd. Hd. Scr.	48	908-13-061-7669	"O" Ring Belt
13	426-05-032-5001	Counterbalance	49	Cat. #41-022	Pulley, including:
14	426-05-014-5005	Bracket	50	SP-206	5/16-18 x 5/16" Soc. Set Scr.
15	SP-1034	1/4"-20 Hex. Nut	51	0906506	Roller Bearing Inner Race
16	SP-3002	#8-32 x 3/8" Rd. Hd. Self-Tapping Scr.	52	0906505	Roller Bearing
17	SP-584	#10-32 x 3/8" Binding Hd. Scr.	53	SP-606	5/16-18 x 5/8" Hex. Hd. Scr.
18	SP-1775	#10 Internal Tooth Lockwasher	54	426-05-079-5004	Retainer
19	426-05-331-5003	Upper Door, including:	55	426-05-072-5022	Plate
20	SP-1203	#10-32 Hex. Nut	56	426-05-106-5014	Shaft
21	SP-1775	#10 Internal Tooth Lockwasher	57	426-05-346-5002	Filter Assembly
22	426-05-068-5001	Latch	58	SP-1604	5/16 x 3/4 x 1/16" Washer
23	SP-561	#10-32 x 3/8" Rd. Hd. Scr.	59	SP-626	1/4-20 x 3/4" Hex. Hd. Scr.
24	426-05-063-5006	Insert Handle	60	426-05-012-5004	Body
25	960-02-012-1472	Nameplate	61	906-00-000-8720	Hose Fitting
26	SP-2250	#4 x 3/16" Drive Scr.	62	426-05-061-5001	Hose
27	901-25-030-7545	#7 x 1/2" Rd. Hd. Wood Scr.	65	426-05-331-5006	Rear Door, including:
28	SP-3002	#8-32 x 3/8" Rd. Hd. Self-Tapping Scr.	66	SP-584	#10-32 x 3/8" Binding Hd. Scr.
29	426-05-014-5006	Bracket	67	CBS-57	Hinge
30	426-05-113-5001	Wiper for Lower Wheel	68	SP-1775	#10 Internal Tooth Lockwasher
31	426-05-072-5031	Shift & Lubrication Plate	69	SP-1203	#10-32 Hex. Nut
32	SP-2250	#4 x 3/16" Drive Scr.	70	901-05-131-7351	#12 x 1/2" Rd. Hd. Self-Tapping Scr.
33	426-05-331-5005	Lower Door, including:	71	961-04-042-3110	Spring Catch
34	SP-1203	#10-32 Hex. Nut			
35	SP-1775	#10 Internal Tooth Lockwasher			
36	426-05-068-5001	Latch			
37	SP-561	#10-32 x 3/8" Rd. Hd. Scr.			



Replacement Parts

Ref. No.	Part No.	Description	Ref. No.	Part No.	Description
73	SCG-34	1/2-13 x 1 15/16" Soc. Set Scr.	127	SP-611	1/4-20 x 1/2" Hex. Hd. Scr.
74	SP-1266	1/2"-13 Hex. Jam Nut	128	426-05-110-5002	Post
75	CBS-158-S	Upper Wheel, including:	129	SP-649	5/16-18 x 1" Hex. Hd. Scr.
76	Cat. #28-355	Tire	130	CBS-123	Table Insert
77	SP-1133	1/2-20 x 3/4" Soc. Set Scr.	131	426-05-091-5002	Table
	426-05-358-5002	Upper Wheel Headstock, consisting of:	132	SP-2438	1/8" Hex. Soc. Pipe Plug
78	426-05-106-5005	Shaft	133	CBS-65	Rear Trunnion
79	BS-223	Bearing Nut	134	SP-617	3/8"-16 x 1 1/2" Hex. Hd. Scr.
80	SP-5338	Bearing	135	SP-649	5/16-18 x 1" Hex. Hd. Scr.
81	CBS-116	Special Jam Nut		426-05-355-5003	Lower Blade Guide, consisting of:
82	426-05-058-5002	Headstock	136	426-05-014-5018	Bracket
83	SP-5336	Bearing	137	SP-206	5/16-18 x 5/16" Soc. Set Scr.
84	BS-261	Bearing Nut	138	920-13-001-3939	Bearing Assembly
85	SP-2371	3/8-16 x 2 1/2" Sq. Hd. Bolt	139	426-05-072-5020	Plate
86	SP-1606	7/16 x 1 x 5/64" Washer	140	426-05-072-5021	Plate
87	CBS-90	Spring	141	DDL-150	21/64 x 21/32 x 1/16" Washer
88	426-05-084-5002	Slide	142	901-03-012-2146	5/16-18 x 1 1/4" Hex. Soc. Long-Lok Scr.
89	CBS-69	Gib	143	426-05-104-5002	Spacer
90	SP-1704	3/8" Split Lockwasher	144	426-05-113-5002	Wiper
91	SP-642	3/8-16 x 1" Hex. Hd. Scr.	145	426-05-079-5001	Retainer
92	SP-567	#6-32 x 1/4" Rd. Hd. Scr.	146	SP-571	#8-32 x 1 1/2" Rd. Hd. Scr.
93	CBS-87	Tension Scale	147	SP-632	7/16-14 x 2 3/4" Hex. Hd. Scr.
94	SP-1606	7/16 x 1 x 5/64" Washer	148	LBS-61	Table Clamp
95	426-05-409-5001	Extension, including:	149	CBS-64	Front Trunnion
96	SP-2704	1/8 x 3/4" Roll Pin	150	DP-626	Pointer
97	CBS-68	Plate	151	SP-502	1/4-20 x 1/4" Rd. Hd. Scr.
98	SP-1705	1/2" Split Lockwasher	152	SP-642	3/8-16 x 1" Hex. Hd. Scr.
99	SP-628	1/2-13 x 1" Hex. Hd. Scr.	153	SP-306	1/4-20 x 3/4" Sq. Hd. Set Scr.
100	CBS-85	Spring	154	SP-1034	1/4"-20 Hex. Nut
101	CBS-86	Pointer	155	CBS-101	Bar
102	CBS-88	Plug	156	426-05-014-5019	Bracket
103	SP-617	3/8-16 x 1 1/2" Hex. Hd. Scr.	157	SP-1004	7/16"-14 Hex. Nut
104	CBS-84	Threaded Bushing	158	426-05-072-5032	Scale
105	CBS-89	Tension Screw	159	SP-2252	#2 x 3/16" Drive Scr.
106	CBS-135-S	Handwheel, including:	160	SP-1615	13/32 x 13/16 x 1/16" Washer
107	SP-206	5/16-18 x 5/16" Soc. Set Scr.	161	SP-648	3/8-16 x 1 1/4" Hex. Hd. Scr.
	426-05-355-5004	Upper Blade Guide consisting of:	162	SP-617	3/8-16 x 1 1/2" Hex. Hd. Scr.
108	901-03-012-2146	5/16-18 x 1 1/4" Hex. Soc Long Lok Scr.	163	CBS-84	Threaded Bushing
109	DDL-150	21/64 x 21/32 x 1/16" Washer	164	426-05-031-5001	Cover
110	426-05-072-5026	Plate	165	901-03-010-3345	1/4-20 x 1" Soc. Hd. Scr.
111	426-05-072-5020	Plate	166	CBS-84	Threaded Bushing
112	426-05-072-5021	Plate	167	SP-617	3/8-16 x 1 1/2" Hex. Hd. Scr.
113	426-05-014-5021	Support Bracket	168	CBS-93	Clamp Screw
114	SP-206	5/16-18 x 5/16" Soc. Set Scr.	169	SR-217	Clamp Handle
115	920-13-001-3939	Bearing Assembly	170	SP-7528	1/4-20 x 1/2" Truss Hd. Scr.
116	SP-584	#10-32 x 3/8" Binding Hd. Scr.	171	426-05-014-5017	Bracket
117	1200464	Finger Guard	172	SP-593	#10-24 x 3/8" Rd. Hd. Scr.
118	1200465	Finger Guard Bracket	173	SP-3102	3/8-16 x 1 3/4" Hex. Hd. Scr.
119	SP-1609	13/64 x 7/16 x 1/16" Washer	175	Cat. #194	5/32" Hex. Soc. Wrench
120	SP-584	#10-32 x 3/8" Binding Hd. Scr.	176	Cat. #1535	3/16" Hex. Soc. Wrench
121	SP-1203	#10-32 Hex Nut	177	Cat. #1532	1/4" Hex. Soc. Wrench
122	426-05-354-5002	Blade Guard, including:	178	Cat. #1538	5/8"-3/4" Box Wrench
123	SP-569	#8-32 x 3/16" Rd. Hd. Scr.			
124	SP-7562	#10-32 x 1/2" Rd. Hd. Scr.			
125	426-05-014-5020	Guard Bracket			
126	SP-1203	#10-32 Hex. Nut			

Replacement Parts

Ref. No.	Part.	Description	Ref. No.	Part.	Description
180	426-05-067-5004	Lever	250	SP-139	3/8-16 x 1 1/4" Headless Set Scr.
181	426-05-108-5001	Rod	251	SP-5433	3/8"-16 Hex. Jam Nut
182	901-04-150-0231	5/16-18 x 5/16" Soc. Set Scr.	252	SP-5435	5/16-18 Hex. Jam Nut
183	426-05-014-5016	Bracket	253	SP-1102	5/16-18 Soc. Set Scr.
184	310-84	Spring	254	SP-7008	Retaining Ring
185	SP-28	1/4" Steel Ball	255	402-07-019-5001	Cam
186	426-05-031-5012	Gear Box Cover	256	240-99	Special Washer
187	33-64	Yoke Finger	257	SP-688	5/16-18 x 1/2" Hex. Hd. Scr.
188	426-05-402-5003	Yoke Assembly, including:	258	426-05-081-5004	Rope
189	SP-2735	1/8 x 1 1/4" Roll Pin	259	926-01-992-5532	Speed Control Pulley, including:
190	SP-609	5/16-18 x 1 1/2" Hex. Hd. Scr.	260	SP-206	5/16-18 x 5/16" Soc. Set Scr.
191	414-03-346-5001	Plug	261	SP-623	1/4-20 x 3/4" Soc. Set Scr.
192	426-05-400-5006	Lower Wheel, including:	262	SP-9152	1/4-20 Hex. Jam Nut
193	SP-1133	1/2-20 x 3/4" Soc. Set Scr.	263	961-05-021-5005	Rope Clamp
194	Cat. #28-355	Tire	264	927-01-010-2633	#213 Woodruff Key
195	CBS-115	Retainer	265	426-05-106-5021	Shaft
196	SP-605	5/16-18 x 1/2" Hex. Hd. Scr.	266	SP-230	3/8-16 x 3/4" Soc. Set. Scr.
197	426-05-072-5019	Retaining Plate	267	SP-5433	3/8"-16 Hex. Jam Nut
198	920-04-022-4022	Bearing	268	426-05-027-5004	Clamp
199	SP-2653	1/4 x 1 1/4 x 1 15/16" Key	269	426-05-079-5012	Turnbuckle
200	426-05-106-5010	Shaft	270	SP-1216	#10-24 Hex. Nut
201	426-05-013-5001	Gear Box	271	SP-206	5/16-18 x 5/16" Soc. Set Scr.
202	426-05-104-5008	Spacer	272	H-5	Set Collar
203	920-24-061-5141	Needle Bearing	273	920-75-101-7195	Flanged Bushing
204	426-05-051-5011	Gear	274	SP-5435	5/16"-18 Hex. Jam Nut
205	SP-7017	Retaining Ring	275	426-05-014-5022	Foot Lever Bracket
206	426-05-028-5004	Clutch	276	SP-649	5/16-18 x 1" Hex. Hd. Scr.
207	426-05-104-5009	Spacer	277	927-01-010-2634	#61 Woodruff Key
208	920-24-062-4024	Needle Bearing	278	426-05-367-5002	Speed Control Lever, including:
209	426-05-351-5008	Gear Assembly	279	SP-6716	3/8 x 1 1/2" Roll Pin
210	426-05-104-5010	Spacer	280	901-04-191-9277	3/8-16 x 2" Soc. Set Scr.
211	920-04-022-4021	Bearing	281	SP-5433	3/8-16 Hex. Jam Nut
212	904-15-192-1593	Retaining Ring	285	426-05-072-5028	Motor Plate
214	BS-257	Special Washer	286	SP-1703	5/16" Split Lockwasher
215	SP-617	3/8-16 x 1 1/2" Hex. Hd. Scr.	287	SP-5435	5/16"-18 Hex. Jam Nut
216	CBS-84	Threaded Bushings	288	901-02-011-8956	5/16-18 x 5" Rd. Hd. Scr.
217	SP-1704	3/8" Split Lockwasher	289	SP-7008	Retaining Ring
218	920-04-022-4020	Bearing	290	426-05-106-5012	Motor Plate Shaft
219	0905981	Retaining Ring	291	926-05-992-5504	Motor Pulley Assembly (7/8" Bore), including:
220	426-05-104-5007	Spacer	293	SP-217	5/16-18 x 1/2" Soc. Set Scr.
221	920-24-062-4025	Needle Bearing	294	402-04-108-5010	Rod
222	426-05-051-5008	Gear	295	928-01-601-8891	Spring
223	426-05-051-5007	Gear	296	402-07-079-5009	Retainer
224	426-05-085-5002	Spindle	297	SP-7025	Retaining Ring
225	927-01-010-2614	#13 Woodruff Key		426-05-379-5002	Retainer Assembly, consisting of:
226	920-04-022-4023	Bearing	298	426-05-079-5011	Retainer
227	426-05-072-5018	Retaining Plate	299	920-04-012-4029	Bearing
228	SP-605	5/16-18 x 1/2" Hex. Hd. Scr.	300	904-15-102-0180	Retaining Ring
229	902-07-010-7157	Bearing Nut	301	SP-7042	Retaining Ring
230	426-05-080-5002	Roller	292	926-05-992-5513	Motor Pulley Assembly (1 1/8" Bore), including:
231	426-05-106-5020	Shaft	293	SP-217	5/16-18 x 1/2" Soc. Set Scr.
232	426-05-067-5012	Lever	294	402-04-108-5010	Rod
233	1200506	Spindle Pulley Assembly, including:	295	928-01-601-8891	Spring
234	SP-2728	3/8 x 1 1/4" Roll Pin	296	402-07-079-5009	Retainer
235	901-04-150-8215	1/4-20 x 3/8" Soc. Set Scr.	297	SP-7025	Retaining Ring
236	402-04-108-5012	Rod		426-05-379-5002	Retainer Assembly, consisting of:
237	CBS-116	Special Jam Nut	298	426-05-079-5011	Retainer
238	426-05-079-5011	Bearing Retainer	299	920-04-012-4029	Bearing
239	920-04-012-4029	Bearing	300	904-15-102-0180	Retaining Ring
240	904-15-102-0180	Retaining Ring	301	SP-7042	Retaining Ring
241	SP-7042	Retaining Ring	302	426-05-108-5006	Connecting Rod
242	SP-611	1/4-20 x 1/2" Hex. Hd. Scr.	302	426-05-108-5006	Connecting Rod
243	426-05-108-5006	Connecting Rod	303	SP-611	1/4-20 x 1/2" Hex. Hd. Scr.
244	Cat. #49-159	Variable Speed Belt - 55 1/4" O. C.			
248	426-05-014-5033	Cam & Shaft Retaining Bracket			
249	SP-650	3/8-16 x 7/8" Hex. Hd. Scr.			